

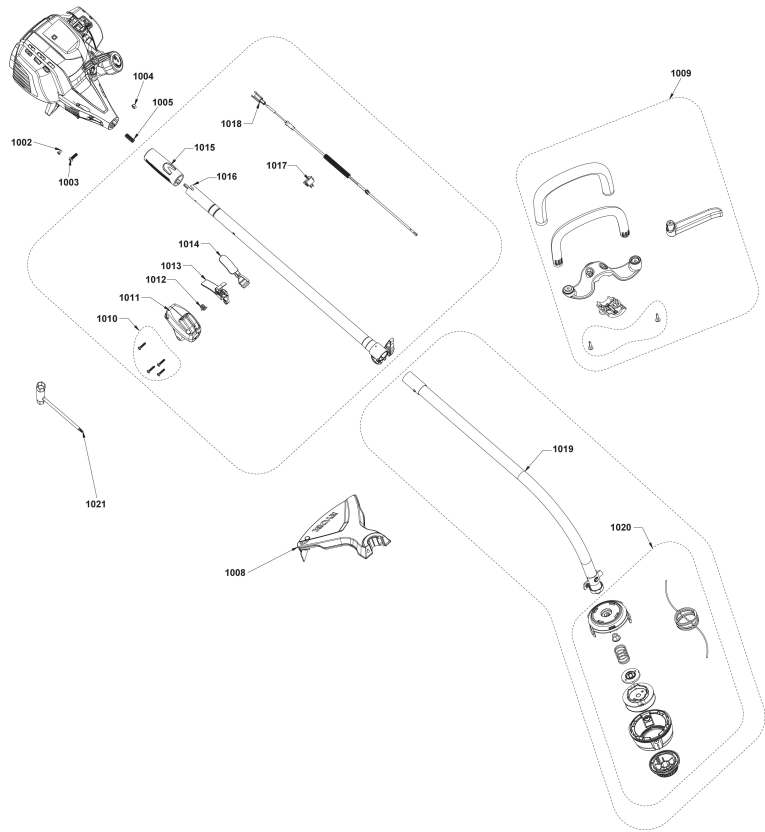
# RLT430CESD Motortrimmer

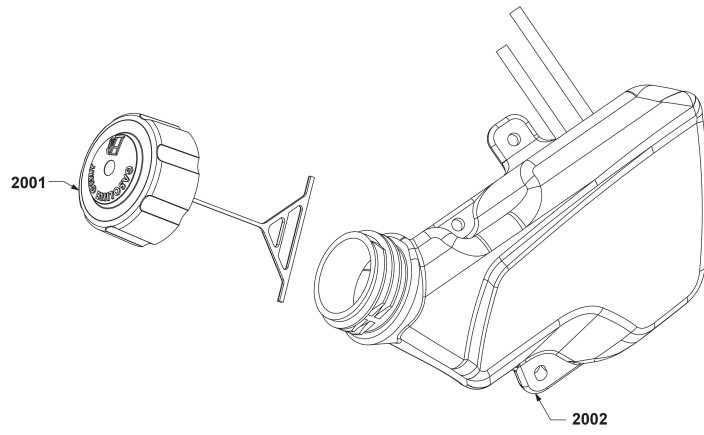
5133002546 - RLT430CESD - 4000462085

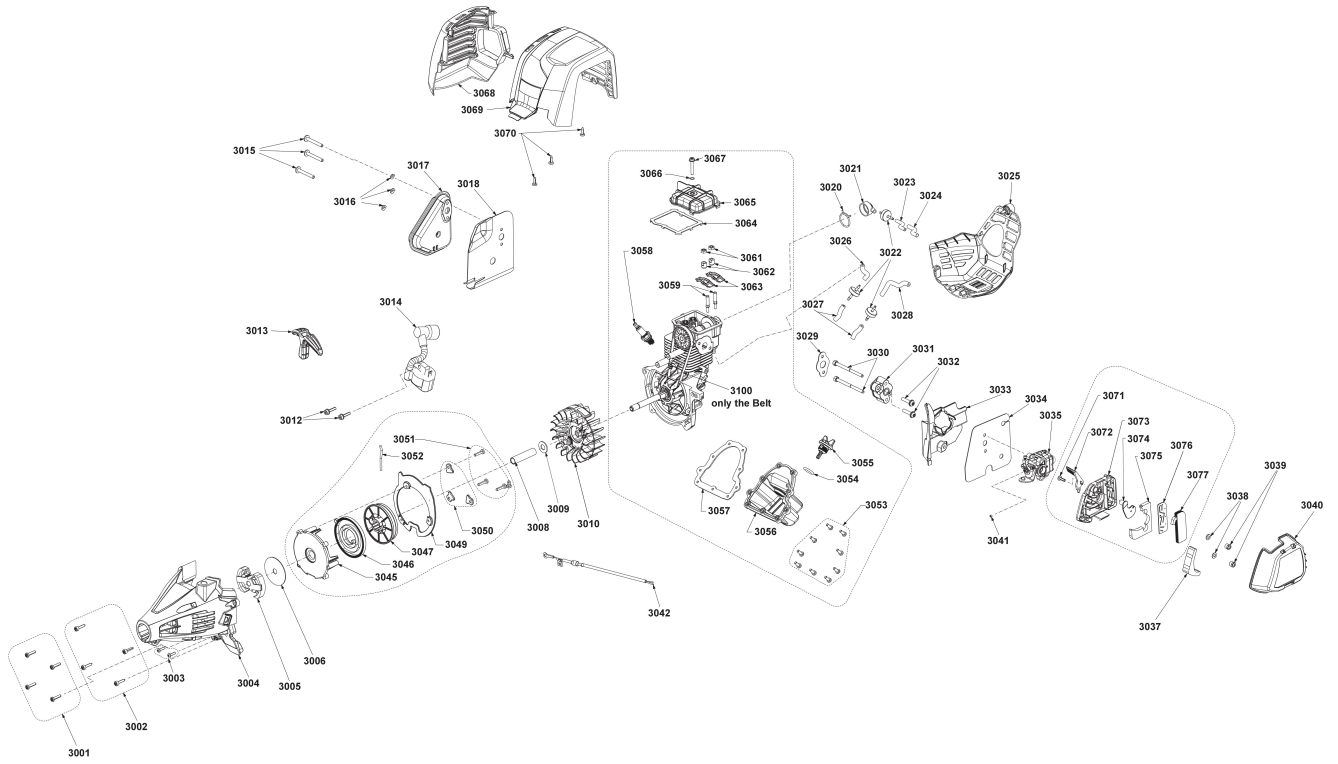




4000462085







| Position | Quantity | Description         | Part number                   | EAN           |
|----------|----------|---------------------|-------------------------------|---------------|
| 1002 1   | 1        | SCHRAUBE            | 5131034616                    | 4058546142445 |
| 1003 2   | 1        | SCHRAUBE            | 5131035135                    | 4058546146351 |
| 1004 3   | 1        | MUTTER              | 5131035136                    | 4058546146368 |
| 1005 4   | 1        | Feder               | 5131001907                    | 4058546083700 |
| 1008 5   | 1        | SCHUTZ              | 5131039526                    | 4058546043841 |
| 1009 6   | 1        | HANDGRIFF-SET       | Item discontinued(5131036605) |               |
| 1010 7   | 4        | SCHRAUBE            | 5131035616                    | 4058546150235 |
| 1011 8   | 1        | GEHAEUSE            | Item discontinued(5131036439) |               |
| 1012 9   | 1        | FEDER               | 5131012476                    | 4058546056469 |
| 1013 10  | 1        | DRUECKER            | 5131040495                    | 4058546055578 |
| 1014 11  | 1        | DRUECKER            | Item discontinued(5131040496) |               |
| 1015 12  | 1        | Griff               | 5131001774                    | 4058546083137 |
| 1016 13  | 1        | ANTRIEBSSCHAFT      | 5131033844                    | 4002395142569 |
| 1017 14  | 1        | SCHALTER            | 5131040144                    | 4058546052065 |
| 1018 15  | 1        | LEITUNG             | 5131033845                    | 4002395142576 |
| 1019 16  | 1        | ANTRIEBSSCHAFT      | Item discontinued(5131040674) |               |
| 1021 17  | 1        | SCHLUESSEL          | 5131035259                    | 4058546147297 |
| 2001 18  | 1        | STOPFEN             | 5131034506                    | 4058546141714 |
| 2002 19  | 1        | BEHAELTER           | 5131033851                    | 4002395143238 |
| 3001 20  | 4        | SCHRAUBE            | 5131047770                    | 4058546504069 |
| 3002 21  | 4        | SCHRAUBE            | 5131011555                    | 4058546098469 |
| 3003 22  | 2        | SCHRAUBE            | Item discontinued(5131017775) |               |
| 3004 23  | 1        | GEHAEUSE            | 5131015983                    | 4058546103088 |
| 3005 24  | 1        | Kupplung            | 5131000573                    | 4058546077990 |
| 3006 25  | 1        | Distanzscheibe      | 5131000909                    | 4058546079826 |
| 3008 26  | 1        | Distanzhülse        | 5131001827                    | 4058546083410 |
| 3009 27  | 1        | Unterlegscheibe     | 5131000946                    | 4058546080051 |
| 3010 28  | 1        | LUeFTERRAD          | Item discontinued(5131015969) |               |
| 3012 29  | 2        | SCHRAUBE            | 5131011554                    | 4058546098452 |
| 3013 30  | 1        | GRIFF               | 5131016028                    | 4058546103163 |
| 3014 31  | 1        | ZUENDANLAGE         | Item discontinued(5131033852) |               |
| 3015 32  | 3        | BOLZEN              | Item discontinued(5131018509) |               |
| 3016 33  | 3        | SCHEIBE             | Item discontinued(5131035758) |               |
| 3017 34  | 1        | SCHALLDAEMPFER      | Item discontinued(5131034470) |               |
| 3018 35  | 1        | DICHTUNG            | 5131016281                    | 4058546171360 |
| 3020 36  | 1        | KLEMME              | 5131034485                    | 4058546141523 |
| 3021 37  | 1        | MOOSGUMMI           | Item discontinued(5131034484) |               |
| 3022 38  | 3        | VENTIL              | 5131015965                    | 4058546102982 |
| 3023 39  | 1        | VERLAENGER.SCHLAUCH | 5131016102                    | 4058546103330 |
| 3024 40  | 1        | HUELSE              | 5131033853                    | 4002395143252 |
| 3025 41  | 1        | ABDECKUNG           | 5131033854                    | 4002395143269 |
| 3026 42  | 1        | VERLAENGER.SCHLAUCH | 5131016101                    | 4058546103323 |
| 3027 43  | 2        | VERLAENGER.SCHLAUCH | 5131016102                    | 4058546103330 |
| 3028 44  | 1        | HUELSE              | 5131033855                    | 4002395143276 |
| 3029 45  | 1        | DICHTUNG            | 5131018066                    | 4058546106966 |
| 3030 46  | 2        | BOLZEN              | 5131034493                    | 4058546141608 |
| 3031 47  | 1        | DAEMPfungSELEMENT   | 5131033856                    | 4002395143283 |
| 3032 48  | 2        | SCHRAUBE            | Item discontinued(5131019120) |               |
| 3033 49  | 1        | ABWEISER            | 5131034490                    | 4058546141578 |
| 3034 50  | 1        | DICHTUNG            | 5131033857                    | 4002395143290 |

| Position | Quantity | Description       | Part number                   | EAN           |
|----------|----------|-------------------|-------------------------------|---------------|
| 3035 51  | 1        | VERGASER          | 5131033858                    | 4002395140503 |
| 3037 52  | 1        | FILTERHALTER      | 5131033859                    | 4002395140510 |
| 3038 53  | 2        | SCHEIBE           | 5131034504                    | 4058546141691 |
| 3039 54  | 2        | MUTTER            | Item discontinued(5131034469) |               |
| 3040 55  | 1        | DECKEL            | 5131016465                    | 4058546171469 |
| 3041 56  | 1        | MOOSGUMMI         | Item discontinued(5131034503) |               |
| 3042 57  | 1        | NYLONFADEN        | Item discontinued(5131015967) |               |
| 3045 58  | 1        | AUFNAHME          | 5131017406                    | 4058546105365 |
| 3046 59  | 1        | Feder u. Gehaeuse | 5131000906                    | 4058546079802 |
| 3047 60  | 1        | RIEMENSCHLEIBE    | 5131034468                    | 4058546141370 |
| 3049 61  | 1        | PLATTE            | 5131016077                    | 4058546103279 |
| 3050 62  | 3        | HALTER            | 5131001831                    | 4058546083434 |
| 3051 63  | 3        | SCHRAUBE          | 5131047770                    | 4058546504069 |
| 3052 64  | 1        | Starter Seil      | 5131001185                    | 4058546081409 |
| 3053 65  | 9        | SCHRAUBE          | Item discontinued(5131011543) |               |
| 3054 66  | 1        | O-RING            | Item discontinued(5131016093) |               |
| 3055 67  | 1        | MESSGERAET        | 5131016053                    | 4058546103187 |
| 3056 68  | 1        | GEHAEUSE          | 5131033861                    | 4002395140534 |
| 3057 69  | 1        | DICHTUNG          | 5131016099                    | 4058546103316 |
| 3058 70  | 1        | ZUENDKERZE        | 5131016267                    | 4058546103682 |
| 3059 71  | 2        | DRUCKBOLZEN       | 5131034480                    | 4058546141479 |
| 3061 72  | 2        | MUTTER            | 5131034477                    | 4058546141448 |
| 3062 73  | 2        | BUNDBUCHSE        | Item discontinued(5131034478) |               |
| 3063 74  | 2        | WIPPE             | 5131034479                    | 4058546141462 |
| 3064 75  | 1        | DICHTUNG          | 5131034476                    | 4058546141431 |
| 3065 76  | 1        | DECKEL            | 5131034475                    | 4058546141424 |
| 3066 77  | 1        | O-RING            | 5131033862                    | 4002395140541 |
| 3067 78  | 1        | SCHRAUBE          | Item discontinued(5131018604) |               |
| 3068 79  | 1        | PLATTE            | 5131016077                    | 4058546103279 |
| 3069 80  | 1        | GEHAEUSE          | 5131034471                    | 4058546141394 |
| 3070 81  | 3        | SCHRAUBE          | Item discontinued(5131033863) |               |
| 3071 82  | 1        | SCHRAUBE          | Item discontinued(5131011457) |               |
| 3072 83  | 1        | ARM               | 5131036281                    | 4058546156527 |
| 3073 84  | 1        | DECKEL            | 5131036282                    | 4058546156534 |
| 3074 85  | 1        | PLATTE            | 5131034501                    | 4058546141660 |
| 3075 86  | 1        | FILZ              | 5131034499                    | 4058546141646 |
| 3076 87  | 1        | ABWEISER          | 5131034500                    | 4058546141653 |
| 3077 88  | 1        | MOOSGUMMI         | 5131034502                    | 4058546141677 |
| 3100 89  | 1        | RIEMEN            | 5131016278                    | 4058546103736 |