

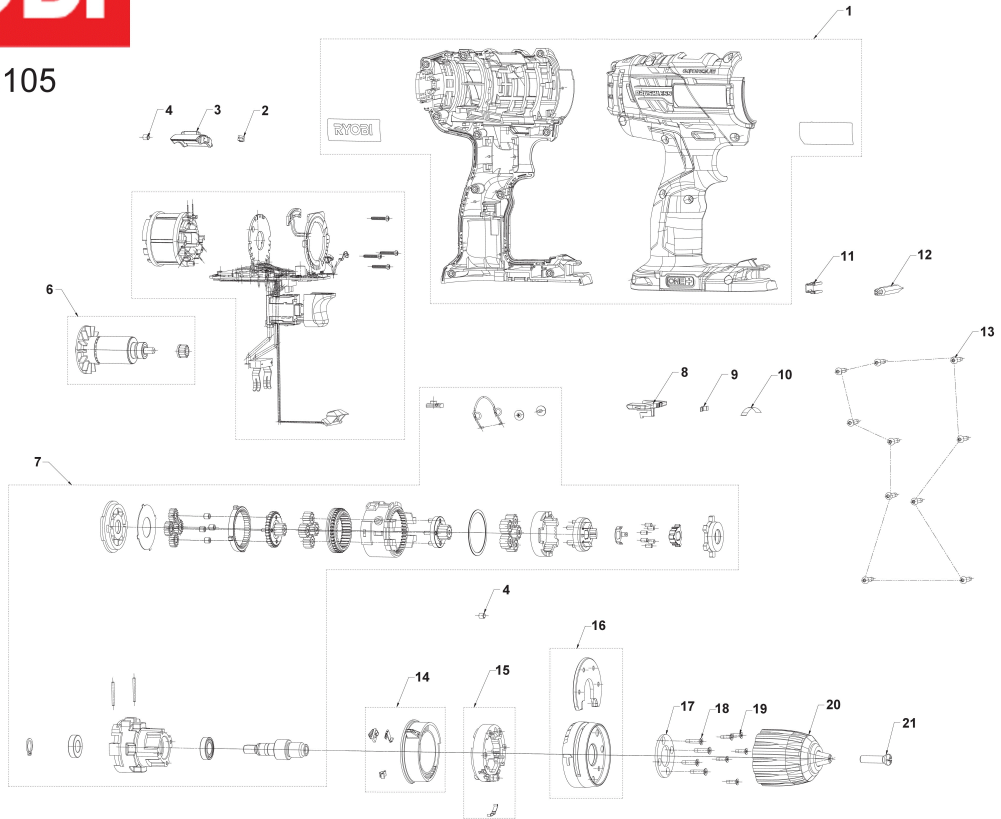
# 18V ONE+ BL Akku-Bohrschrauber/2x2,0

5133003435 - R18DDBL-LL20S - 4000462105





4000462105



Position	Quantity	Description	Part number	EAN
1001 1	1	GEHAEUSE	5131041255	4058546065195
1002 2	1	KONTAKT	5131033408	4002395162857
1003 3	1	KNOPF	5131041245	4058546065096
1004 4	1	ENTLASTUNGSK.	5131033410	4002395162871
1006 5	1	ANKER F.ELEKTROMOTOR	5131041257	4058546065218
1007 6	1	GETRIEBEKASTEN	Item discontinued(5131041258)	
1008 7	1	KNOPF	Item discontinued(5131033414)	
1009 8	1	DISTANZSTUECK	5131033415	4002395163526
1010 9	1	ETIKETT	5131033416	4002395163533
1011 10	1	BIT-HALTER	5131031687	4058546193171
1013 11	10	SCHRAUBE	5131011359	4058546168315
1014 12	1	HALTER	5131033418	4002395163557
1015 13	1	KUPPLUNGSGEHAEUSE	5131033419	4002395163564
1016 14	1	KUPPLUNG	5131033420	4002395163571
1017 15	1	SCHEIBE	Item discontinued(5131033421)	
1018 16	4	SCHRAUBE	Item discontinued(5131033456)	
1019 17	5	SCHRAUBE	5131033422	4002395163595
1020 18	1	BOHRFUTTER	5131033423	4002395164202
1021 19	1	SCHRAUBE	Item discontinued(5131033455)	
1012 20	1	DOUBLE BIT (PH2 S6 L=50MM)	Item discontinued(5132001236)	