

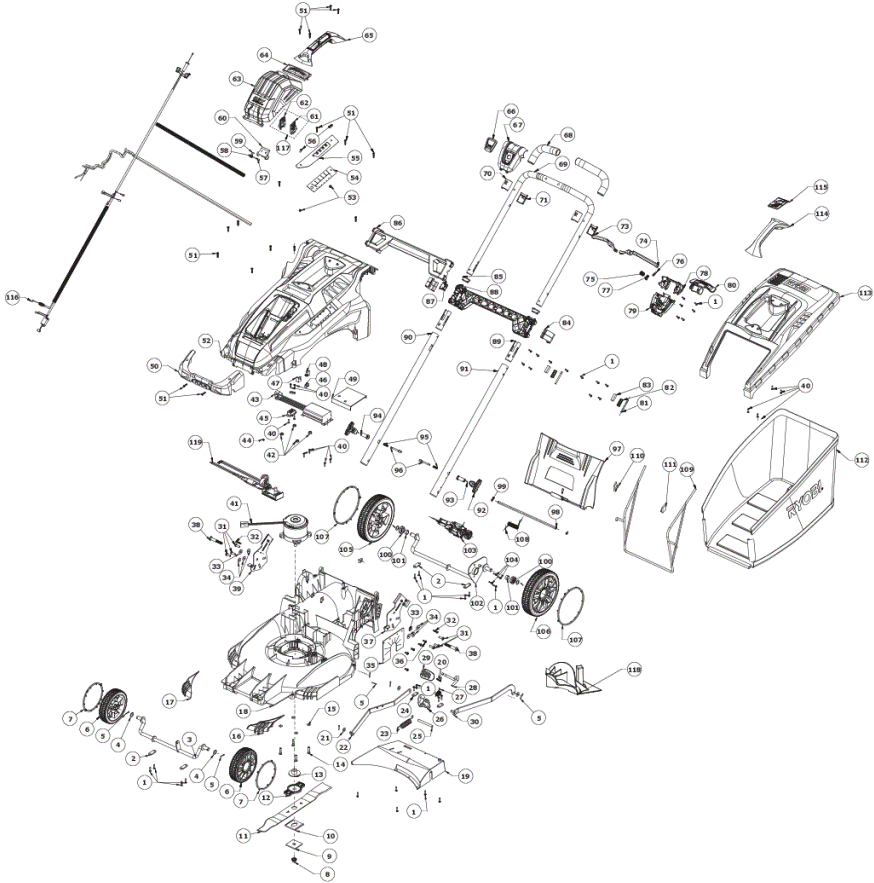
# RLM36X46H5P 36 V Akku-Rasenmaeher IN2

5133002811 - RLM36X46H5P - 4000462118





4000462118



Position	Quantity	Description	Part number	EAN
1001 1	35	SCHRAUBE	5131035603	4058546150105
1002 2	4	BLECH	5131042942	4058546261566
1003 3	1	ACHSE	5131035655	4058546150600
1004 4	4	SCHEIBE	5131035654	4058546150594
1005 5	9	STIFT	5131035642	4058546150488
1006 6	2	RAD	5131040196	4058546052584
1007 7	2	ABDECKUNG	5131040195	4058546052577
1008 8	1	MUTTER	5131035663	4058546150686
1009 9	1	HALTEPLATTE	5131035662	4058546150679
1010 10	1	DISTANZSTUECK	5131035661	4058546150662
1011 11	1	KLINGE	5131035660	4058546150655
1012 12	1	HALTER	5131035659	4058546150648
1013 13	1	TRAEGER	5131035658	4058546150631
1014 14	4	SCHRAUBE	5131035657	4058546150624
1015 15	8	SCHEIBE	5131035656	4058546150617
1016 16	1	DECKEL	Item discontinued(5131035651)	
1017 17	1	DECKEL	Item discontinued(5131035650)	
1018 18	1	GRUNDKOERPER	5131040225	4058546052874
1019 19	1	DECKEL	5131040226	4058546052881
1020 20	1	SCHRAUBE	5131035668	4058546150723
1021 21	3	SCHEIBE	5131035664	4058546056483
1022 22	1	PLEUEL	5131035665	4058546150693
1023 23	1	FEDER	5131035673	4058546150778
1024 24	2	PLATTE	Item discontinued(5131035667)	
1025 25	1	ACHSE	Item discontinued(5131035674)	
1026 26	1	TRAEGER	5131035672	4058546150761
1027 27	1	FEDER	Item discontinued(5131035670)	
1028 28	1	PLEUEL	5131035669	4058546150730
1029 29	1	HANDGRIFF	5131035671	4058546150754
1030 30	1	STANGE	Item discontinued(5131040227)	
1031 31	3	SCHRAUBE	5131040191	4058546052539
1032 32	1	SCHRAUBE	Item discontinued(5131039476)	
1033 33	2	SCHEIBE	5131033520	4002395147021
1034 34	6	SCHEIBE	5131040192	4058546052546
1035 35	1	GUMMIPLATTE	5131040229	4058546052911
1036 36	5	SCHRAUBE	5131040230	4058546052928
1037 37	1	SEITENTEIL	5131040224	4058546052867
1038 38	1	SCHRAUBE	5131040215	4058546052775
1039 39	1	SEITENTEIL	5131040189	4058546052515
1040 40	12	SCHRAUBE	5131044609	4058546383329
1041 41	1	MOTOR	Item discontinued(5131035638)	
1042 42	4	MUTTER	5131035639	4058546150457
1043 43	1	ELECTRONIK-BAUSTEIN	Item discontinued(5131035640)	
1044 44	1	SCHRAUBE	5131035627	4058546150341
1045 45	1	TRAEGER	5131035636	4058546150426
1046 46	2	MUTTER	5131040222	4058546052843
1047 47	1	KLEMME	5131040193	4058546052553
1048 48	1	KLEMME	5131040223	4058546052850
1049 49	1	ZWISCHENSTUECK	5131040231	4058546052935
1050 50	1	GEHAEUSE	5131035652	4058546150570

Position	Quantity	Description	Part number	EAN
1051 51	17	SCHRAUBE	5131035616	4058546150235
1052 52	1	GEHAEUSE	Item discontinued(5131040232)	
1053 53	2	MUTTER	5131011814	4058546098957
1054 54	1	PLATTE	5131035634	4058546150402
1055 55	1	PLATTE	5131035633	4058546150396
1056 56	2	SCHRAUBE	5131035632	4058546150389
1057 57	1	ACHSE	5131035622	4058546150297
1058 58	1	FEDER	5131035621	4058546150280
1059 59	1	FEDER	5131035620	4058546150273
1060 60	1	HALTER	5131040233	4058546052959
1061 61	1	DECKEL	5131035742	4058546151447
1062 62	1	DECKEL	5131035741	4058546151430
1063 63	1	DECKEL	5131043746	4058546351069
1064 64	1	PLATTE	5131035618	4058546150259
1065 65	1	HANDGRIFF	5131035617	4058546150242
1066 66	1	KNOPF	5131040198	4058546052607
1067 67	1	GEHAEUSE	5131040234	4058546052966
1068 68	2	MOOSGUMMI	5131040202	4058546052645
1069 69	1	GRIFF	5131040201	4058546052638
1070 70	2	TRAEGER	5131040199	4058546052614
1071 71	2	TRAEGER	5131040200	4058546052621
1073 72	1	DRUECKER	5131040203	4058546052652
1074 73	1	DRUECKER	Item discontinued(5131040204)	
1075 74	1	FEDER	5131040206	4058546052683
1076 75	1	FEDER	5131040236	4058546052980
1077 76	1	FEDER	5131036409	4058546157777
1078 77	1	HALTER	5131040237	4058546052997
1079 78	1	GEHAEUSE UNTEN	5131040238	4058546053000
1080 79	1	DRUECKER	Item discontinued(5131040239)	
1081 80	2	STIFT	5131033526	4002395147083
1082 81	2	VERRIEGEL.-ELEMENT	5131033527	4002395147090
1083 82	2	GUMMIPLATTE	5131033528	4002395147700
1084 83	2	VERBINDUNGSSTUECK	5131033525	4002395147076
1085 84	2	DICHTBUECHSE	5131033530	4002395147724
1086 85	1	ZWISCHENFLANSCH	5131040240	4058546053024
1087 86	1	SCHALTER	5131040241	4058546053031
1088 87	1	ZWISCHENFLANSCH	Item discontinued(5131040242)	
1089 88	2	DICHTBUECHSE	5131043064	4058546262785
1090 89	1	ROHR	5131040243	4058546053055
1091 90	1	ROHR	5131040244	4058546053062
1092 91	2	DREHKNOPF	5131033551	4002395149131
1093 92	2	STIFT	5131040245	4058546053079
1094 93	2	FEDER	5131033549	4002395149117
1095 94	2	FEDER	5131033550	4002395149124
1096 95	2	STIFT	5131033548	4002395149100
1097 96	1	TUER	5131035680	4058546150846
1098 97	1	ACHSE	5131035677	4058546150815
1099 98	2	FEDERKLEMME	5131035679	4058546150839
1100 99	2	LAGER	5131035643	4058546150495
1101 100	2	DICHTBUECHSE	5131035644	4058546150501

Position	Quantity	Description	Part number	EAN
1102 101	1	ACHSE	5131040246	4058546053086
1103 102	1	ANTRIEBSMOTOR	5131040247	4058546053093
1104 103	3	SCHRAUBE	5131040190	4058546052522
1105 104	1	RAD	5131040221	4058546052836
1106 105	1	RAD	5131040248	4058546053109
1107 106	2	ABDECKUNG	5131040220	4058546052829
1108 107	1	FEDER	5131035678	4058546150822
1109 108	1	GESTELL	5131035686	4058546150907
1110 109	1	STOPFEN	Item discontinued(5131040218)	
1111 110	1	STOPFEN	Item discontinued(5131040219)	
1112 111	1	GRASFANGSACK	5131035687	4058546150914
1113 112	1	DECKEL	5131035683	4058546150877
1114 113	1	HANDGRIFF	5131035681	4058546150853
1115 114	1	ANZEIGER	5131040217	4058546052799
1116 115	1	KABEL	5131040250	4058546053123
1117 116	1	SICHERUNGSSCHLUESSEL	5131035631	4058546150372
1118 117	1	STOPFEN	5131041344	4058546066086
1119 118	1	ELEKTRONIK	5131040846	4058546061104