

# RMS180-SA30 EL.MULTISCHLEIFER IN2

5133002910 - RMS180-SA30 - 4000462226

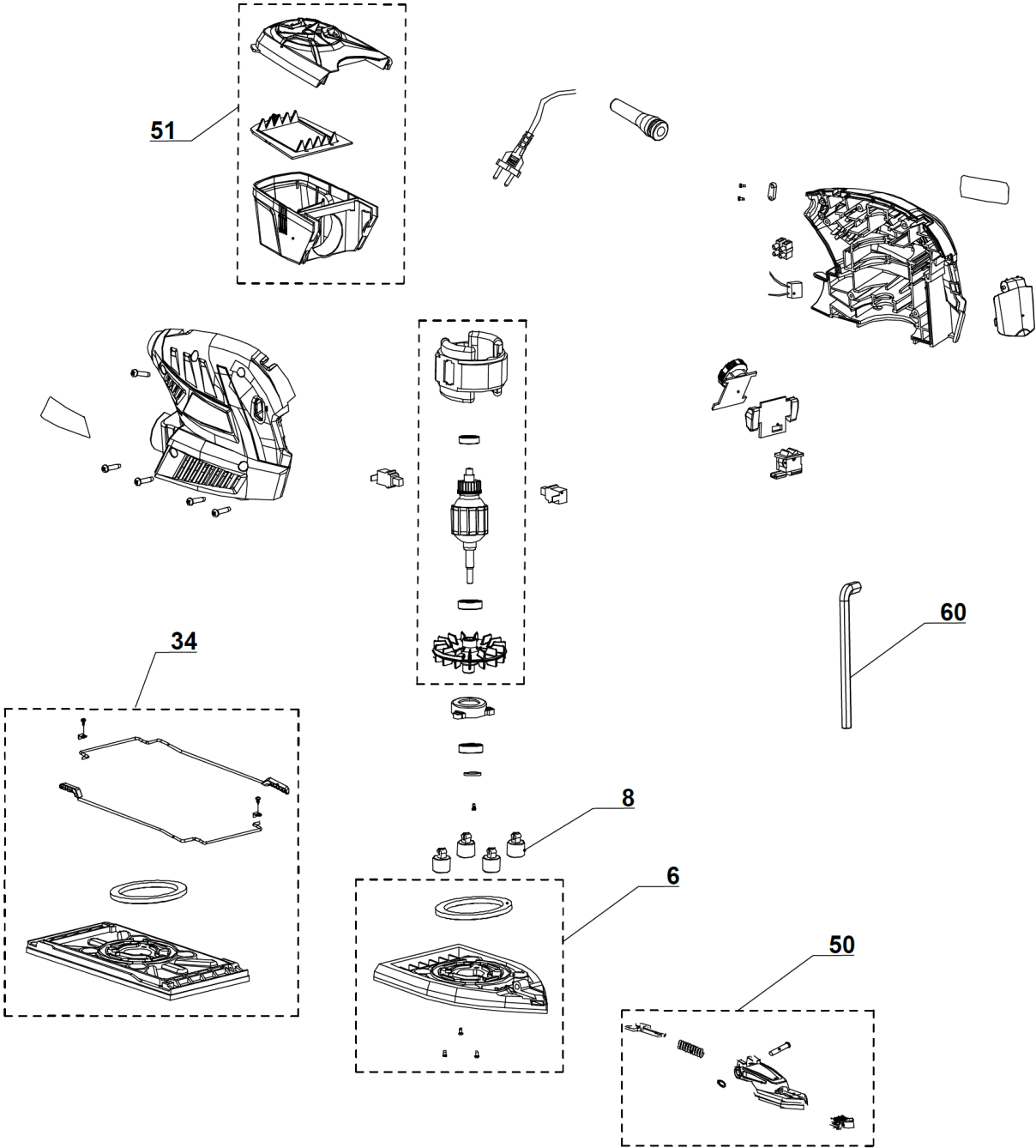




4000462225

4000462226

4000462298



Position	Quantity	Description	Part number	EAN
1006 1	1	SCHLEIFPLATTE	5131027499	4058546113254
1008 2	4	DAEMPFUNGELEMENT	5131027500	4058546113261
1034 3	1	SCHLEIFTELLER	5131027530	4058546113469
1050 4	1	FINGER POLSTER	5131027497	4058546113230
1051 5	1	STAUBSACK	Item discontinued(5131027514)	
1060 6	1	SKT-STIFTSCHLUESSEL	Item discontinued(5131027531)	