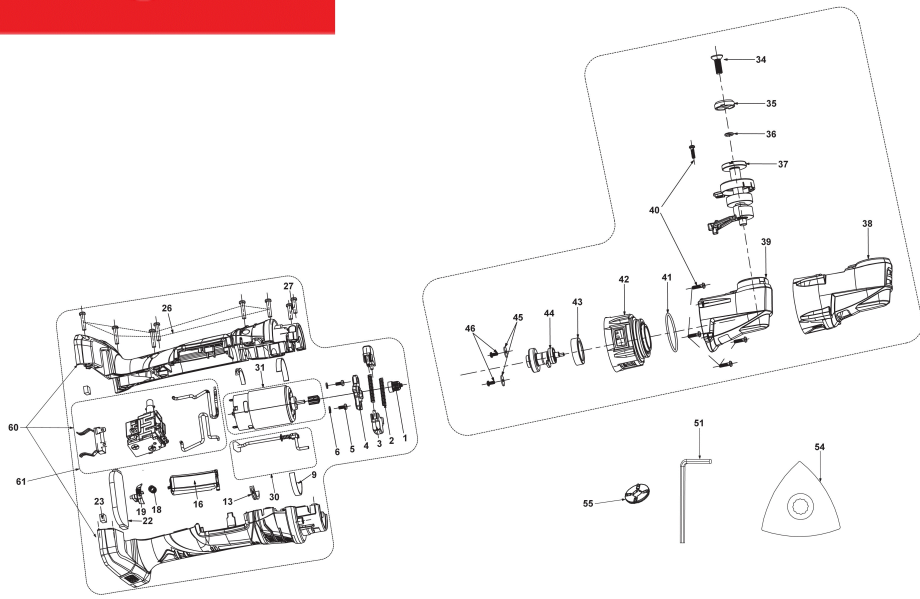


# RMT1801M 18V MULTI TOOL GB

5133001633 - RMT1801M - 4000462260





Position	Quantity	Description	Part number	EAN
1001 1	1	GUMMIKAPPE	5131030164	4058546122829
1002 2	2	FEDER	5131030165	4058546185398
1003 3	3	DRUECKER	5131030166	4058546185404
1004 4	1	ABDECKPLATTE	5131030167	4058546185411
1005 5	2	Schraube M3x6	5131000979	4058546161354
1006 6	2	SCHEIBE	Item discontinued(5131017800)	
1009 7	2	SCHAUMSTOFF	5131030168	4058546185428
1013 8	2	KISSEN	Item discontinued(5131030169)	
1016 9	1	DRUECKER	5131030170	4058546122836
1018 10	1	FEDER	Item discontinued(5131030171)	
1019 11	1	KNOPF	Item discontinued(5131030172)	
1022 12	1	MAGNET	5131030173	4058546122867
1023 13	2	GUMMIPUFFER	Item discontinued(5131030174)	
1026 14	6	SCHRAUBE	Item discontinued(5131011358)	
1027 15	2	SCHRAUBE	Item discontinued(5131030177)	
1029 16	1	ETIKETT	5131030178	4058546122874
1030 17	1	SCHALTSTANGE	Item discontinued(5131030179)	
1031 18	1	MOTOREINHEIT	5131030180	4058546122881
1034 19	1	SCHRAUBE	5131030118	4058546122553
1035 20	1	HUELSE	5131030182	4058546122904
1036 21	1	O-RING	5131030183	4058546122911
1037 22	1	RITZELWELLE	5131030184	4058546122928
1038 23	1	ABDECKHAUBE	5131030185	4058546122935
1039 24	1	DUESENABDECKUNG	5131030186	4058546122942
1040 25	5	SCHRAUBE	5131030187	4058546185473
1041 26	1	O-RING	5131030188	4058546185480
1042 27	1	GEHAEUSE UNTEN	5131030189	4058546185497
1043 28	1	LAGERBUCHSE	5131030190	4058546185503
1044 29	1	ZWISCHENWELLE	Item discontinued(5131030191)	
1045 30	2	SCHEIBE	Item discontinued(5131030192)	
1046 31	2	SCHRAUBE	5131030193	4058546185527
1047 32	1	ETIKETT	Item discontinued(5131030194)	
1048 33	1	ETIKETT	Item discontinued(5131030195)	
1051 34	1	T-SCHLUESSEL	5131029524	4058546002091
1054 35	1	GRUNDPLATTE	5131030957	4058546126919
1055 36	1	GETRIEBELAGERSCHILD	5131031088	4058546127626
1060 37	1	GEHAEUSE + SCHALTER	5131040072	4058546051341
1061 38	1	SCHALTER	5131040680	4058546059446