

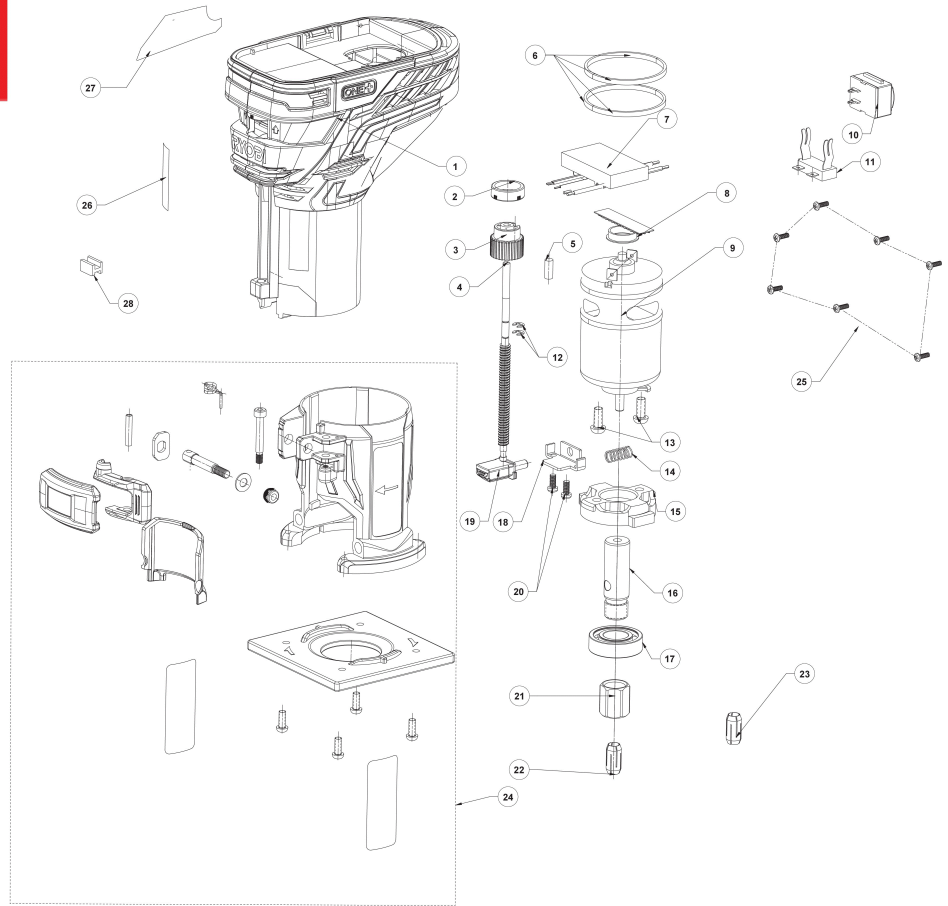
# **R18TR-0 18V Akku-Kantenfraeser**

**5133002917 - R18TR-0 - 4000462269**





4000462269



| Position | Quantity | Description         | Part number                   | EAN           |
|----------|----------|---------------------|-------------------------------|---------------|
| 1001 1   | 1        | GEHAEUSE            | 5131040978                    | 4058546062422 |
| 1002 2   | 1        | RING                | 5131040979                    | 4058546062439 |
| 1003 3   | 1        | EINSTELLRAD         | 5131040980                    | 4058546062446 |
| 1004 4   | 1        | EINSTELLVORRICHTUNG | 5131040981                    | 4058546062453 |
| 1005 5   | 1        | GUMMIPUFFER         | 5131040982                    | 4058546062460 |
| 1006 6   | 4        | GUMMIPUFFER         | 5131040983                    | 4058546062477 |
| 1007 7   | 1        | ELEKTRONIK          | 5131040984                    | 4058546062484 |
| 1008 8   | 1        | GUMMIPUFFER         | Item discontinued(5131040985) |               |
| 1009 9   | 1        | MOTOR               | 5131040986                    | 4058546062507 |
| 1010 10  | 1        | SCHALTER            | 5131040987                    | 4058546062514 |
| 1011 11  | 1        | SCHALTERKLEMME      | Item discontinued(5131040988) |               |
| 1012 12  | 1        | SICHERUNGSRING      | 5131040989                    | 4058546062538 |
| 1013 13  | 2        | SCHRAUBE            | 5131033001                    | 4002395156214 |
| 1014 14  | 1        | FEDER               | Item discontinued(5131040990) |               |
| 1015 15  | 1        | HALTERUNG           | 5131040991                    | 4058546062552 |
| 1016 16  | 1        | ANTRIEBSWELLE       | 5131040992                    | 4058546062569 |
| 1017 17  | 1        | LAGER               | 5131040993                    | 4058546062576 |
| 1018 18  | 1        | HALTERUNG           | 5131040994                    | 4058546062583 |
| 1019 19  | 1        | KNOPF               | 5131040995                    | 4058546062590 |
| 1020 20  | 2        | SCHRAUBE            | 5131032861                    | 4058546138981 |
| 1021 21  | 1        | MUTTER              | 5131040767                    | 4058546060312 |
| 1022 22  | 1        | SPANNZANGE 6,35mm   | 5131040766                    | 4058546060305 |
| 1023 23  | 1        | SPANNZANGE 6mm      | Item discontinued(5131040765) |               |
| 1024 24  | 1        | UNTERTEIL           | Item discontinued(5131040999) |               |
| 1025 25  | 7        | SCHRAUBE            | 5131016160                    | 4058546103415 |
| 1026 26  | 1        | ETIKETT             | Item discontinued(5131041000) |               |
| 1027 27  | 1        | ETIKETT             | 5131041001                    | 4058546062651 |
| 1028 28  | 1        | STOPFEN             | Item discontinued(5131041002) |               |
| 1030 29  | 1        | PARALLELANSCHLAG    | 5131040768                    | 4058546060329 |