

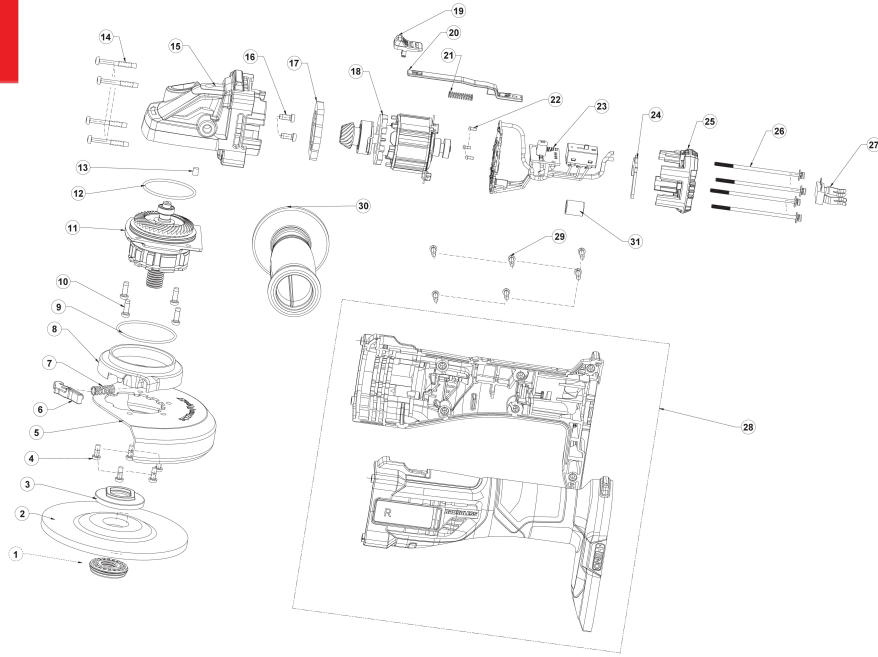
# R18AG7-0 18V BL Akku-Winkelschleifer

5133002852 - R18AG7-0 - 4000462324





4000462324



Position	Quantity	Description	Part number	EAN
1001 1	1	SPANNFLANSCH	5131041173	4058546064372
1003 2	1	HALTESCHEIBE	5131041174	4058546064389
1004 3	5	SCHRAUBE	5131041175	4058546064396
1005 4	1	SCHUTZHAUBE	5131041176	4058546064402
1006 5	1	KLEMMHEBEL	5131041177	4058546064419
1007 6	1	FEDER	5131041178	4058546064426
1008 7	1	DISTANZSCHEIBE	5131041179	4058546064433
1009 8	1	O-RING	5131041180	4058546064440
1010 9	4	SCHRAUBE	Item discontinued(5131030409)	
1011 10	1	GETRIEBE	5131041181	4058546064457
1012 11	1	Ring	5131041182	4058546064464
1013 12	1	GUMMIPUFFER	5131041183	4058546064471
1014 13	4	SCHRAUBE	5131041184	4058546064488
1015 14	1	GETRIEBEKOPF	5131041185	4058546064495
1016 15	2	SCHRAUBE	5131033591	4002395148042
1017 16	1	DISTANZSCHEIBE	5131041186	4058546064501
1018 17	1	MOTOR	5131041187	4058546064518
1019 18	1	DRUECKER	5131041188	4058546064525
1020 19	1	KNOPF	5131041189	4058546064532
1021 20	1	FEDER	5131041190	4058546064549
1022 21	3	SCHRAUBE	5131041191	4058546064556
1023 22	1	ELEKTRONIK	5131042427	4058546256418
1024 23	1	STAUBDICHTUNG	5131041193	4058546064570
1025 24	1	ABDECKUNG	5131041194	4058546064587
1026 25	4	SCHRAUBE	5131041195	4058546064594
1027 26	1	KONTAKT	5131035714	4058546151171
1028 27	1	GEHAEUSE	5131041196	4058546064600
1029 28	6	SCHRAUBE	5131033012	4002395156924
1030 29	1	HANDGRIFF	5131041197	4058546064617
1031 30	1	ZYLINDER	5131041242	4058546065065
1002 31	1	RAK6AGD125 1x Dia, 5xTrennscheiben 125	5132003149	4892210144645