

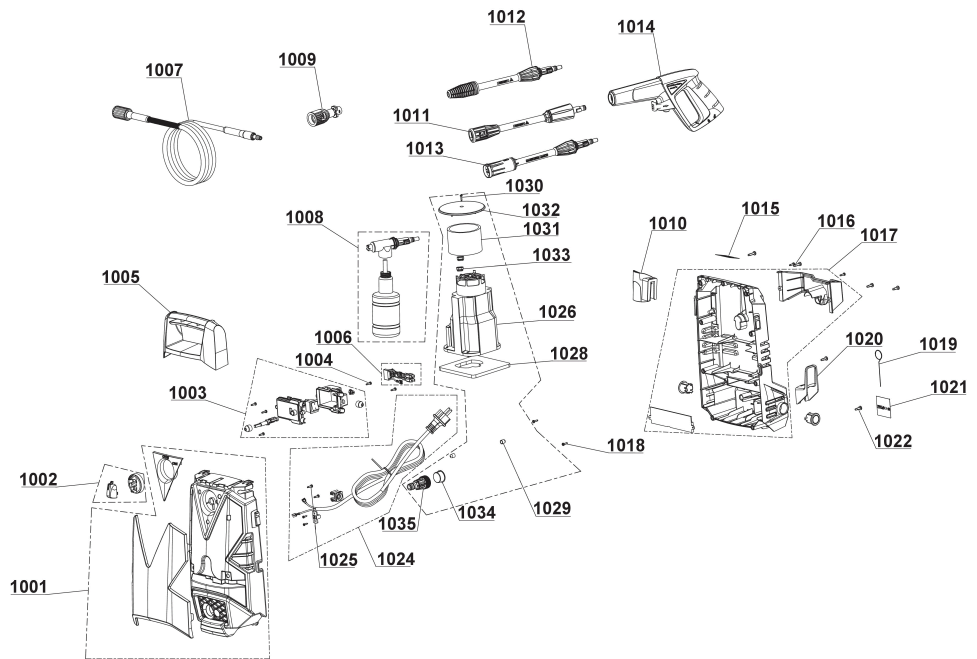
RPW110B HOCHDRUCKREINIGER GB2

5133003739 - RPW110B - 4000462547



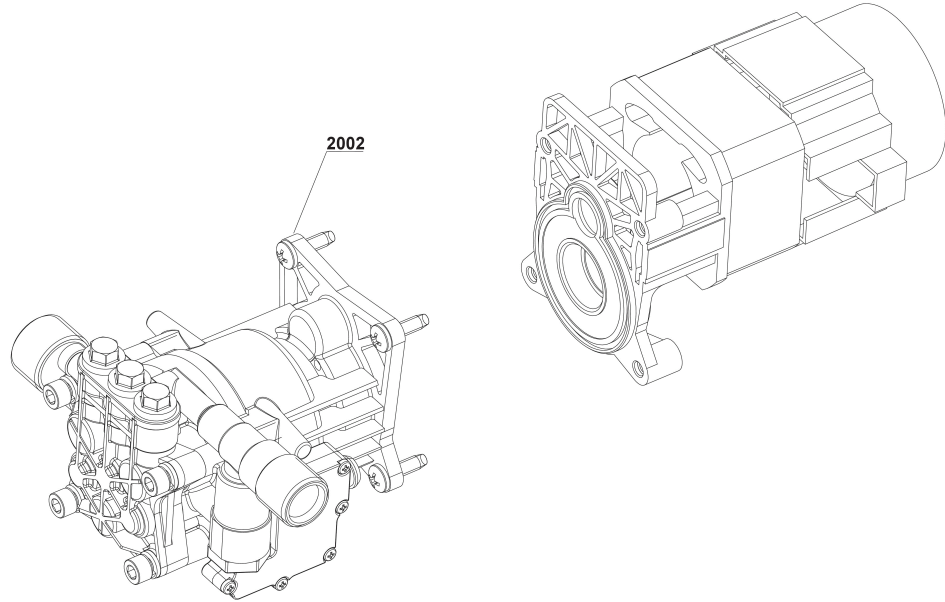


4000462547





4000462547



| Position | Quantity | Description | Part number | EAN |
|----------|----------|--|-------------------------------|---------------|
| 1001 1 | 1 | GEHAEUSE | 5131041655 | 4058546248697 |
| 1002 2 | 1 | DREHKNOPF | 5131041656 | 4058546248703 |
| 1003 3 | 1 | GEHAEUSE + SCHALTER | 5131041657 | 4058546248710 |
| 1004 4 | 7 | SCHRAUBE | 5131041658 | 4058546248727 |
| 1005 5 | 1 | HANDGRIFF | 5131041659 | 4058546248734 |
| 1006 6 | 1 | ELEKTRONIK | 5131041660 | 4058546248741 |
| 1007 7 | 1 | SAUGSCHLAUCH | 5131041335 | 4058546065997 |
| 1010 8 | 1 | HALTER | 5131041661 | 4058546248758 |
| 1011 9 | 1 | TURBUDUESE | 5131041662 | 4058546248765 |
| 1012 10 | 1 | VERLAENGERUNG | Item discontinued(5131041663) | |
| 1013 11 | 1 | ALLZWECKDUESE | Item discontinued(5131041664) | |
| 1014 12 | 1 | HANDGRIFF | 5131041333 | 4058546065973 |
| 1015 13 | 1 | ETIKETT | 5131041665 | 4058546248796 |
| 1016 14 | 2 | SCHRAUBE | 5131041666 | 4058546248802 |
| 1017 15 | 1 | GEHAEUSE | 5131041667 | 4058546248819 |
| 1018 16 | 4 | SCHRAUBE | 5131041668 | 4058546248826 |
| 1019 17 | 1 | NADEL | 5131041669 | 4058546248833 |
| 1020 18 | 1 | HALTER | 5131041670 | 4058546248840 |
| 1021 19 | 1 | ETIKETT | 5131041671 | 4058546248857 |
| 1022 20 | 6 | SCHRAUBE | 5131041672 | 4058546248864 |
| 1024 21 | 1 | ELEKTRISCHES KABEL UK | 5131041673 | 4058546248871 |
| 1025 22 | 2 | SCHRAUBE | 5131041674 | 4058546248888 |
| 1026 23 | 1 | GEHAEUSE | 5131041675 | 4058546248895 |
| 1028 24 | 1 | FILTER | 5131041677 | 4058546248918 |
| 1029 25 | 2 | DAEMPFUNGSRING | 5131041678 | 4058546248925 |
| 1030 26 | 1 | SCHRAUBE | 5131041679 | 4058546248932 |
| 1031 27 | 1 | FILTER | 5131041680 | 4058546248949 |
| 1032 28 | 1 | DECKEL | 5131041681 | 4058546248956 |
| 1033 29 | 2 | DICHTUNG | 5131041682 | 4058546248963 |
| 1034 30 | 1 | AUFNAHME | 5131041683 | 4058546248970 |
| 1035 31 | 1 | STECKER | 5131041684 | 4058546248987 |
| 2002 32 | 1 | PUMPE | Item discontinued(5131041686) | |
| 1008 33 | 1 | RAC726 Ryobi Schaum XXX | Item discontinued(5132003864) | |
| 1009 34 | 1 | RAC730 Ryobi Adapter fuer Kaercher XXX | Item discontinued(5132003867) | |