

# **RPH1100E Power Head Motor GB2**

**5133002509 - RPH1100E - 4000462729**

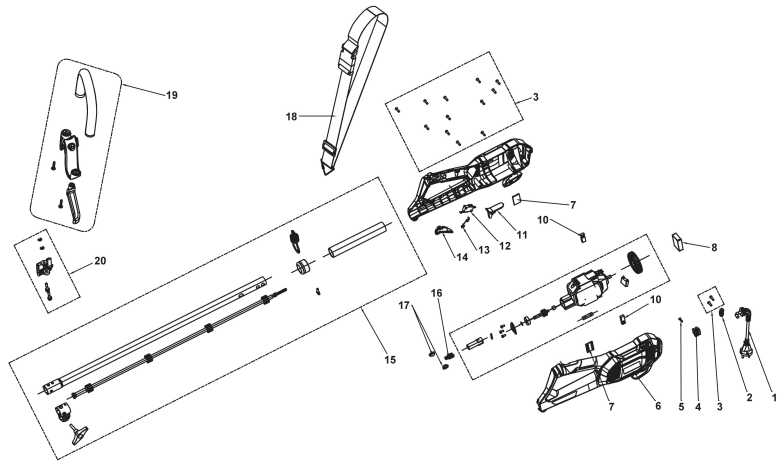






4000462728

4000462729



Position	Quantity	Description	Part number	EAN
1001 1	1	ELEKTRISCHES KABEL	Item discontinued(5131037349)	
1002 2	1	KLEMME	5131029091	4058546182236
1003 3	14	SCHRAUBE	Item discontinued(5131029084)	
1004 4	1	ANSCHLUSS	Item discontinued(5131029092)	
1005 5	1	SCHRAUBE	5131037347	4002395277452
1006 6	1	GEHAEUSE	5131041857	4058546250713
1007 7	2	GUMMIPUFFER	5131037344	4002395277421
1008 8	1	ELEKTRONIK	5131041858	4058546250720
1010 9	1	KOHLEBUERSTE	5131037353	4002395278114
1011 10	1	DRUECKER	5131037341	4002395276790
1012 11	1	SCHALTER	Item discontinued(5131037343)	
1013 12	1	FEDER	Item discontinued(5131037342)	
1014 13	1	FEDER	Item discontinued(5131037342)	
1015 14	1	ANTRIEBSSCHAFT	5131041861	4058546250751
1016 15	1	FEDER	5131029095	4058546117962
1017 16	2	PLATTE	5131037346	4002395277445
1018 17	1	BAND	5131029104	4058546118051
1019 18	1	HANDGRIFF	5131037356	4002395278145
1020 19	1	KLEMME	5131029110	4058546118112