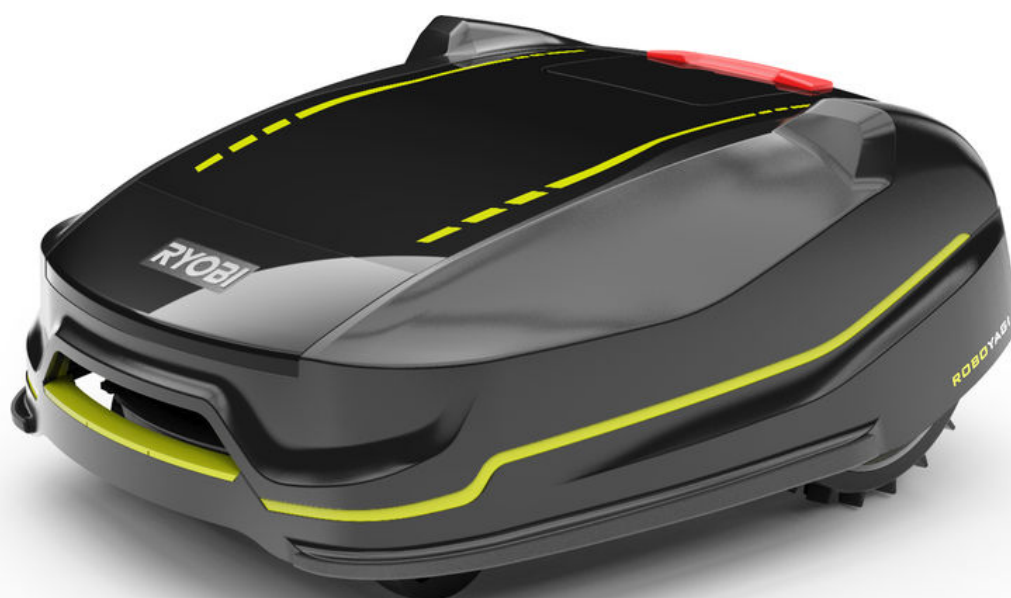


# **RY36LMRX-120 Maehroboter (Kabel)/800m2**

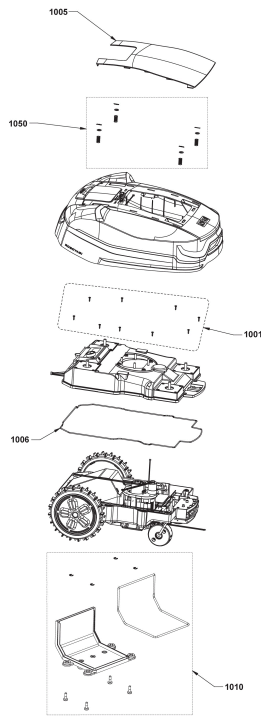
**5133004475 - ROBOYAGI800 - 4000462828**





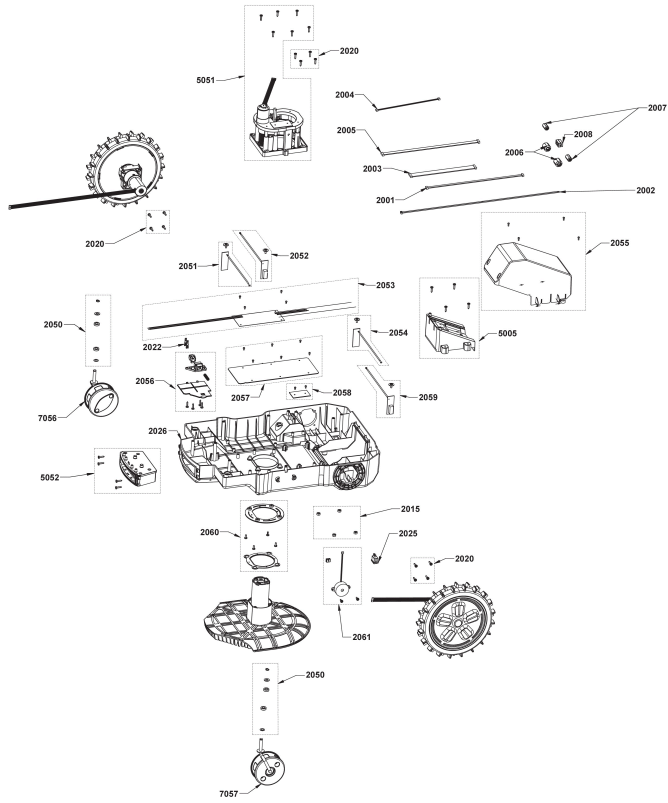
4000462827

4000462828





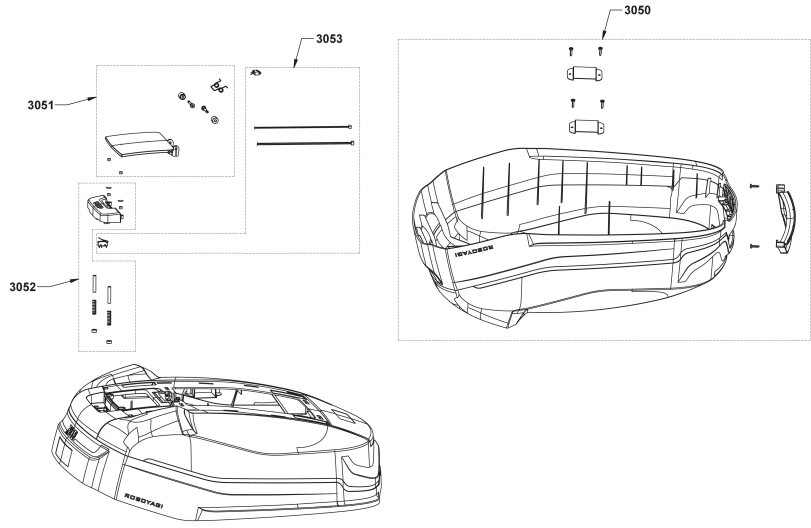
4000462827  
4000462828





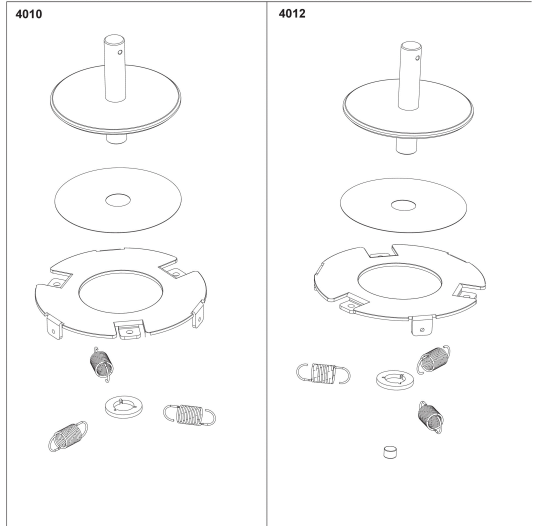
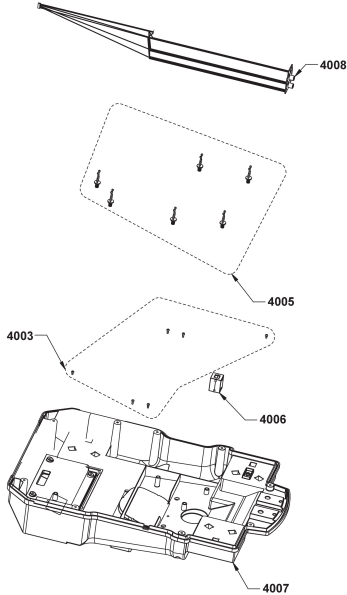
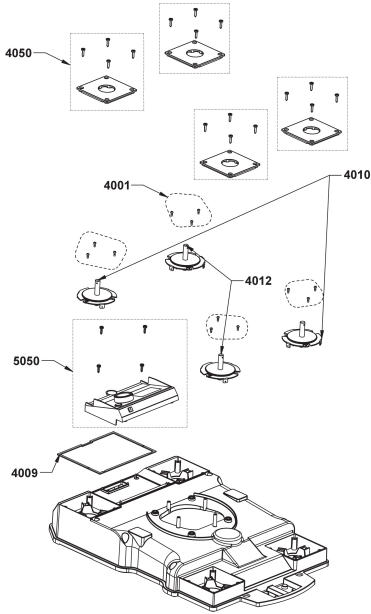
4000462827

4000462828



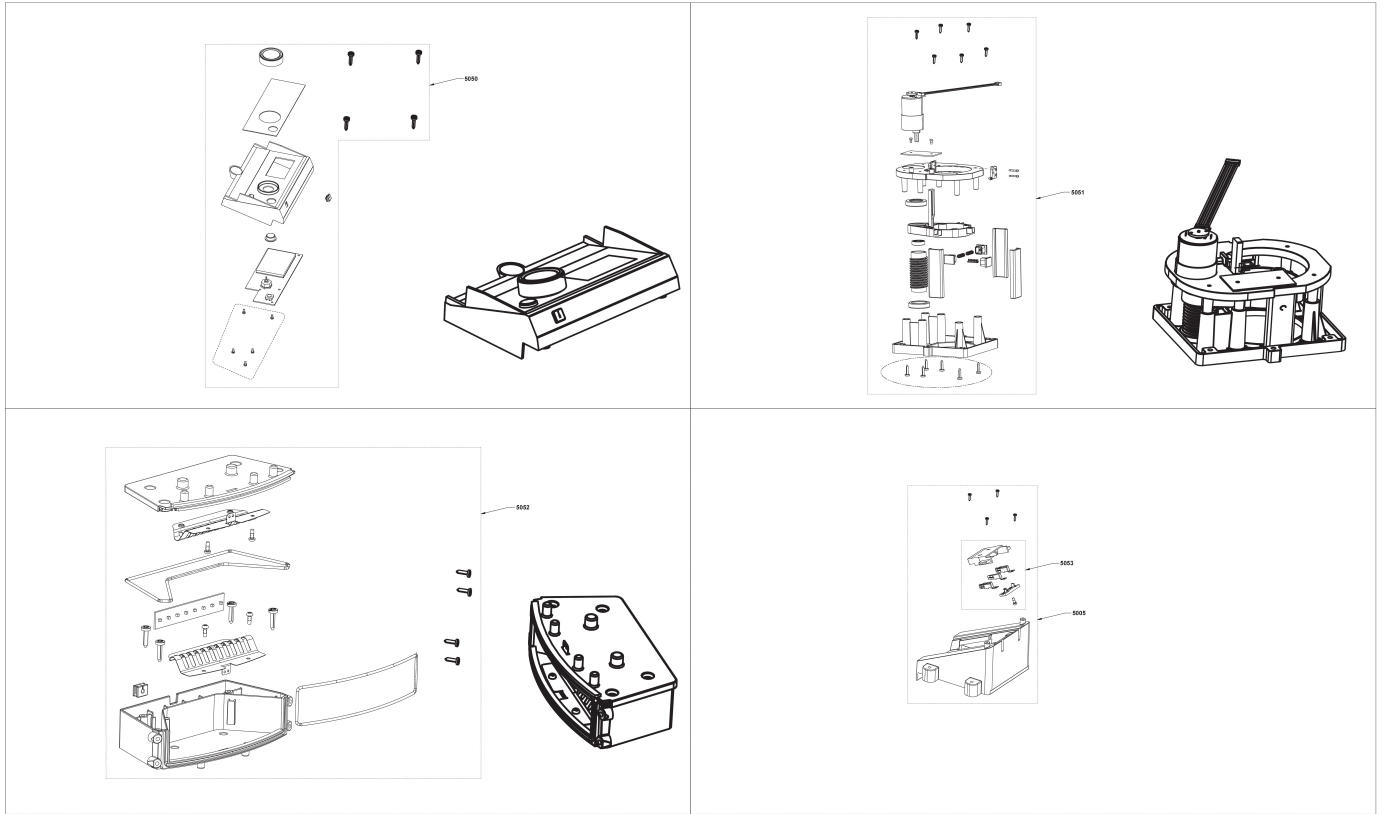


4000462827  
4000462828





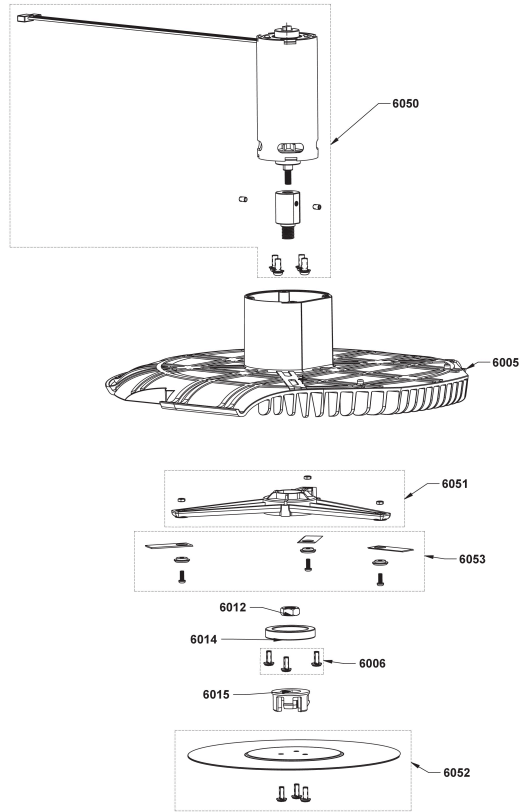
4000462827  
4000462828





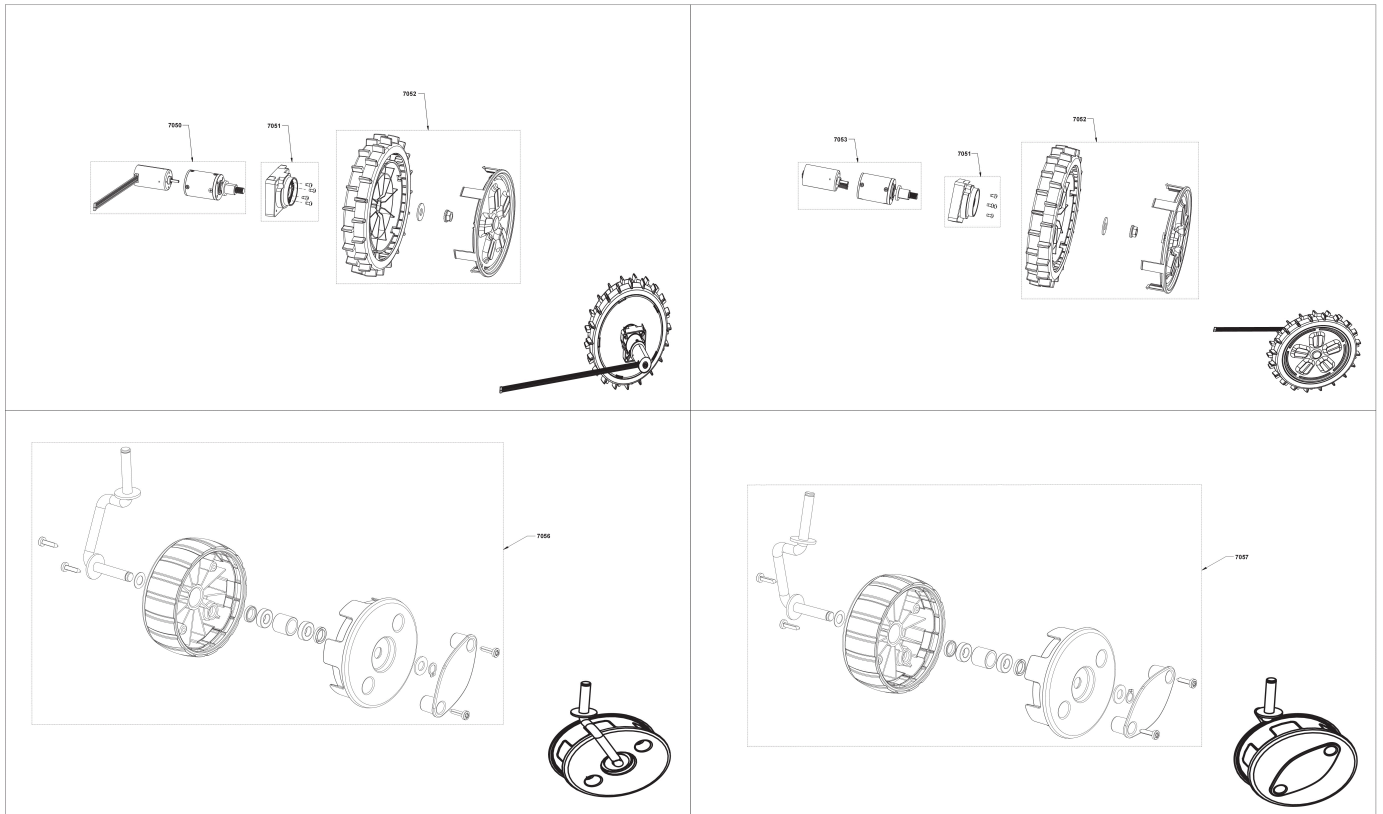
4000462827

4000462828





4000462827  
4000462828





Position	Quantity	Description	Part number	EAN
1001 1	1	SCHRAUBE	5131020376	4058546044893
1005 2	1	DECKEL	Item discontinued(5131042318)	
1006 3	1	DICHTUNG	Item discontinued(5131042319)	
1010 4	1	VERSCHLUSSDECKEL	Item discontinued(5131042320)	
1050 5	1	BEFESTIGUNGSET	Item discontinued(5131042321)	
2001 6	1	LEITUNG	5131044604	4058546383275
2002 7	1	LEITUNG	Item discontinued(5131042323)	
2003 8	1	LEITUNG	Item discontinued(5131042324)	
2004 9	1	LEITUNG	Item discontinued(5131042325)	
2005 10	1	LEITUNG	Item discontinued(5131042326)	
2006 11	3	FERRITKERN	5131044607	4058546383305
2007 12	2	FERRITKERN	Item discontinued(5131042328)	
2008 13	1	FERRITKERN	5131044608	4058546383312
2015 14	1	MUTTER	5131011816	4058546098964
2020 15	1	SCHRAUBE	Item discontinued(5131042331)	
2022 16	2	ANSCHLUSS	Item discontinued(5131034766)	
2025 17	1	SCHALTER	5131044611	4058546383343
2026 18	1	GRUNDKOERPER	Item discontinued(5131042333)	
2050 19	1	BEFESTIGUNGSET	5131042334	4058546255480
2051 20	1	ELECTRONIK-BAUSTEIN	Item discontinued(5131042335)	
2052 21	1	ELECTRONIK-BAUSTEIN	Item discontinued(5131042336)	
2053 22	1	ELEKTRONIK	Item discontinued(5131042337)	
2054 23	1	ELECTRONIK-BAUSTEIN	5131042338	4058546255527
2055 24	1	BATTERIEGEHAEUSE	Item discontinued(5131042339)	
2056 25	1	VERSCHLUSSKAPPE	Item discontinued(5131042340)	
2057 26	1	ELEKTRONIK	Item discontinued(5131042341)	
2058 27	1	ELECTRONIK-BAUSTEIN	Item discontinued(5131042342)	
2059 28	1	ELECTRONIK-BAUSTEIN	Item discontinued(5131042343)	
2060 29	1	DICHTUNGSSCHEIBE	Item discontinued(5131042344)	
2061 30	1	SIGNALGEBER	Item discontinued(5131042345)	
3050 31	1	GEHAEUSEDECKEL	Item discontinued(5131042346)	
3051 32	1	SERVICEDECKEL	5131042347	4058546255619
3052 33	1	DRUECKER	Item discontinued(5131042348)	
3053 34	1	SCHALTER	Item discontinued(5131042349)	
4001 35	1	SCHRAUBE	5131035627	4058546150341
4003 36	1	SCHRAUBE	5131035881	4058546152703
4005 37	1	KABELHAKEN	5131044639	4058546383626
4006 38	1	FERRITKERN	5131044640	4058546383633
4007 39	1	GEHAEUSE	Item discontinued(5131042354)	
4008 40	1	LEITUNG	Item discontinued(5131042355)	
4009 41	1	DICHTUNG	Item discontinued(5131042356)	
4010 42	2	DAEMFPUNGSFEDER	5131044644	4058546383671
4012 43	2	DAEMFPUNGSFEDER	5131042358	4058546255725
4050 44	4	ABDECKUNG	Item discontinued(5131042359)	
5005 45	1	AUFNAHME	Item discontinued(5131042360)	
5050 46	1	DISPLAY	Item discontinued(5131042361)	
5051 47	1	HOEHENVERSTELLUNG	Item discontinued(5131042362)	
5052 48	1	KONTAKTEINSATZ	Item discontinued(5131042363)	
5053 49	1	BATTERIEGEHAEUSE	Item discontinued(5131042364)	
6005 50	1	SCHUTZ	5131042365	4058546255794

Position	Quantity	Description	Part number	EAN
6006 51	1	SCHRAUBE	5131044653	4058546383763
6012 52	1	MUTTER	Item discontinued(5131042367)	
6014 53	1	KUGELLAGER	5131044655	4058546383787
6015 54	1	BEFESTIGUNGSTEIL	5131042369	4058546255831
6050 55	1	MOTOR	5131042370	4058546255848
6051 56	1	AUFNAHME	5131042371	4058546255855
6052 57	1	MESSERSCHUTZ	Item discontinued(5131042372)	
7050 58	1	ANTRIEBSMOTOR / LINKS	Item discontinued(5131042373)	
7051 59	2	BEFESTIGUNGSET	5131042374	4058546255886
7052 60	2	RAEDERPAAR	Item discontinued(5131042375)	
7053 61	1	ANTRIEBSMOTOR / RECHTS	Item discontinued(5131042376)	
7056 62	1	RAD / LINKS	5131042377	4058546255916
7057 63	1	RAD / RECHTS	5131042378	4058546255923
8004 64	8	BEFESTIGUNGSET	5131044666	4058546383893
8050 65	1	GRUNDPLATTE	Item discontinued(5131042380)	
8051 66	1	VERBINDUNGSSET	Item discontinued(5131042381)	
8052 67	1	LADESTATION	5131042382	4058546255961
8053 68	1	ELEKTRISCHES KABEL	5131042383	4058546255978
8054 69	1	SCHLUESSEL	5131044668	4058546383916
6053 70	1	RAC433 9 teiliges Ersatzklingen-Set XXX	Item discontinued(5132003744)	