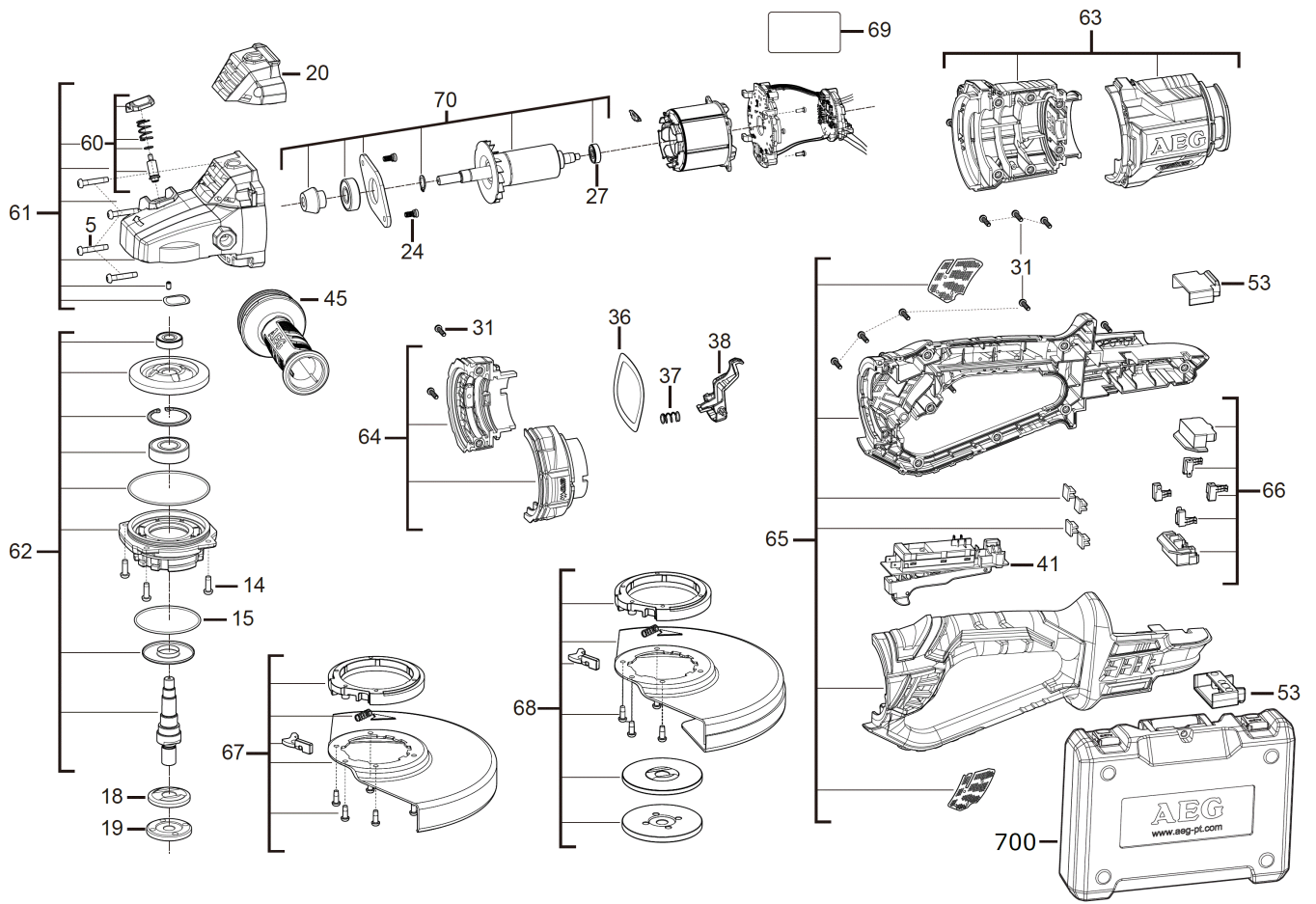


BEWS18-230BLLI-602C AK.WINKELSCHL. IN2

4935464816 - BEWS18-230BLLI-602C - 4000467250





| Position | Quantity | Description | Part number | EAN |
|----------|----------|----------------------|-------------|---------------|
| 0005 1 | 4 | SCHRAUBE | 4931466391 | 4058546276089 |
| 0014 2 | 4 | SCHRAUBE | 4931466392 | 4058546276096 |
| 0015 3 | 1 | O-RING | 4931466393 | 4058546276102 |
| 0018 4 | 1 | FLANSCH | 4931466394 | 4058546276119 |
| 0019 5 | 1 | FLANSCHMUTTER | 4931466395 | 4058546276126 |
| 0020 6 | 1 | GETRIEBEKAPPE | 4931466396 | 4058546276133 |
| 0024 7 | 2 | SCHRAUBE | 4931465764 | 4058546238643 |
| 0027 8 | 1 | KUGELLAGER | 4931436119 | 4002395881475 |
| 0031 9 | 17 | SCHRAUBE | 660024018 | 4002395823741 |
| 0036 10 | 1 | SCHEIBE | 4931466397 | 4058546276140 |
| 0037 11 | 1 | FEDER | 4931466398 | 4058546276157 |
| 0038 12 | 1 | EINSCHALTSPERRE | 4931466399 | 4058546276164 |
| 0041 13 | 1 | SCHALTER | 4931466400 | 4058546276171 |
| 0045 14 | 1 | GRIFF | 4931466401 | 4058546276188 |
| 0053 15 | 2 | SCHUTZKAPPE | 4931466402 | 4058546276195 |
| 0060 16 | 1 | SPINDELARRETIERUNG | 4931466403 | 4058546276201 |
| 0061 17 | 1 | GETRIEBEKASTEN | 4931466404 | 4058546276218 |
| 0062 18 | 1 | SPINDEL SATZ | 4931466405 | 4058546276225 |
| 0063 19 | 1 | MOTORGEHAEUSE | 4931466406 | 4058546276232 |
| 0064 20 | 1 | DAEMPfung | 4931466407 | 4058546276249 |
| 0065 21 | 1 | GEHAEUSE | 4931466408 | 4058546276256 |
| 0066 22 | 1 | KONTAKT | 4931466409 | 4058546276263 |
| 0067 23 | 1 | SCHUTZ | 4931466410 | 4058546276270 |
| 0068 24 | 1 | TRENNSCHUTZHAUBE | 4931466411 | 4058546276287 |
| 0069 25 | 1 | LEISTUNGSSCHILD | 4931466412 | 4058546276294 |
| 0070 26 | 1 | ANKER F.ELEKTROMOTOR | 4931466413 | 4058546276300 |
| 0700 27 | 1 | TRANSPORTKOFFER | 4931466414 | 4058546276317 |