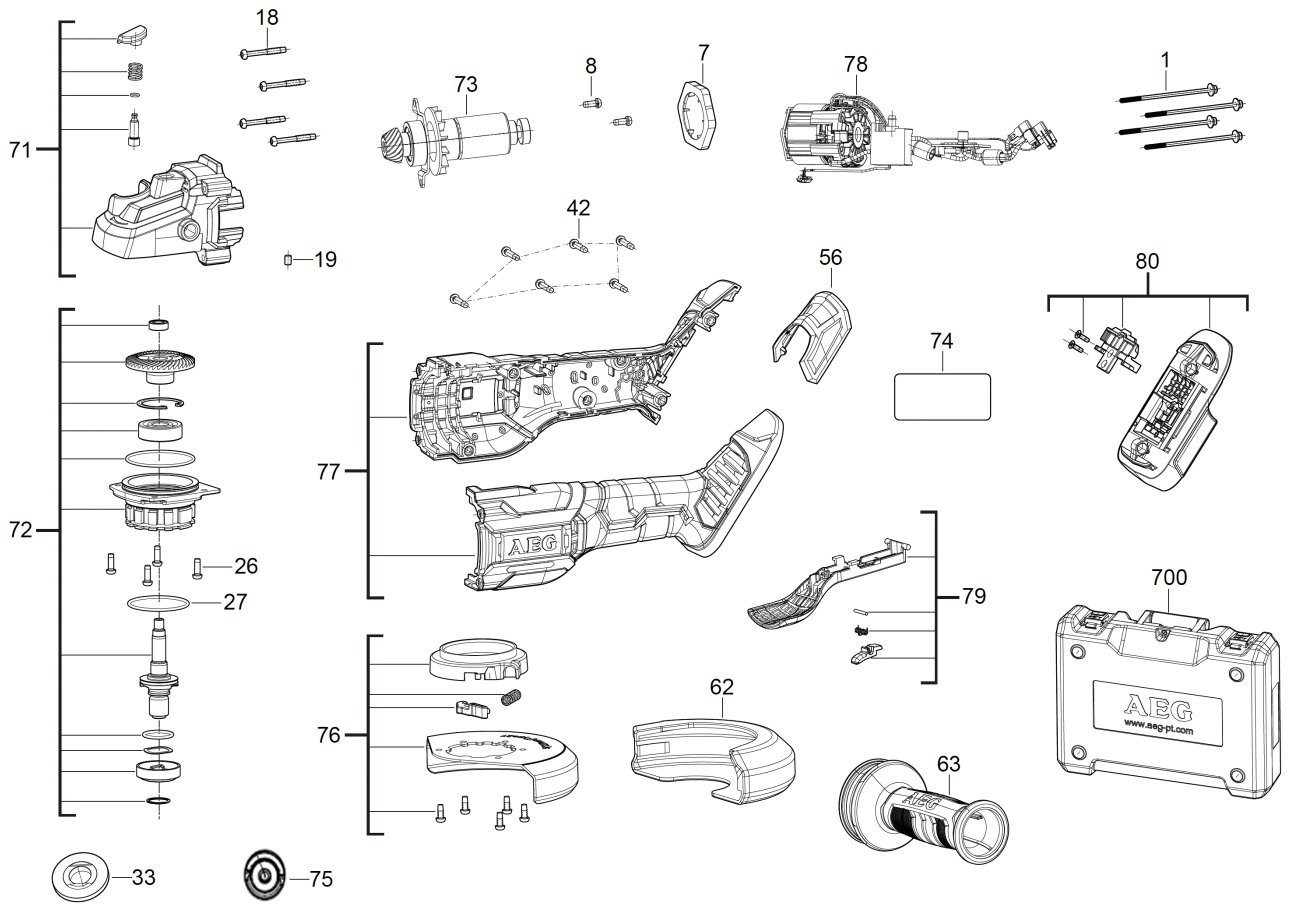


BEWS18-115BLPX-0 AK.-WINKELSCHLEIFER XXX

4935464420 - BEWS18-115BLPX-0 - 4000467950





| Position | Quantity | Description | Part number | EAN |
|----------|----------|-----------------|-------------|---------------|
| 0001 1 | 4 | SCHRAUBE | 4931466484 | 4058546277017 |
| 0007 2 | 1 | ABSTANDSHALTER | 4931465130 | 4058546232306 |
| 0008 3 | 2 | SCHRAUBE | 660165015 | 4002395849826 |
| 0018 4 | 4 | SCHRAUBE | 4931448858 | 4002395179275 |
| 0019 5 | 1 | PUFFER | 4931466483 | 4058546277000 |
| 0026 6 | 4 | SCHRAUBE | 4931466482 | 4058546276997 |
| 0027 7 | 1 | O-RING | 4931466481 | 4058546276980 |
| 0033 8 | 1 | FLANSCH | 4931435020 | 4002395856671 |
| 0042 9 | 6 | SCHRAUBE | 4931461357 | 4058546035297 |
| 0056 10 | 1 | STAUBKAPPE | 4931466485 | 4058546277024 |
| 0062 11 | 1 | SCHUTZ | 4931466517 | 4058546277345 |
| 0063 12 | 1 | ZUSATZHANDGRIFF | 4931466518 | 4058546277352 |
| 0071 13 | 1 | GETRIEBEKASTEN | 4931466490 | 4058546277079 |
| 0072 14 | 1 | KEGELRAD | 4931466519 | 4058546277369 |
| 0073 15 | 1 | MOTOREINHEIT | 4931466492 | 4058546277093 |
| 0074 16 | 1 | LEISTUNGSSCHILD | 4931466520 | 4058546277376 |
| 0075 17 | 1 | FIXTEC-MUTTER | 4931466522 | 4058546277390 |
| 0076 18 | 1 | SCHUTZ | 4931466494 | 4058546277116 |
| 0077 19 | 1 | GEHAEUSE | 4931466523 | 4058546277406 |
| 0078 20 | 1 | ELEKTRONIK | 4931466524 | 4058546277413 |
| 0079 21 | 1 | SCHALTER | 4931466525 | 4058546277420 |
| 0080 22 | 1 | ANSCHLUSSKLEMME | 4931466498 | 4058546277154 |
| 0700 23 | 1 | TRANSPORTKOFFER | 4931466610 | 4058546278274 |