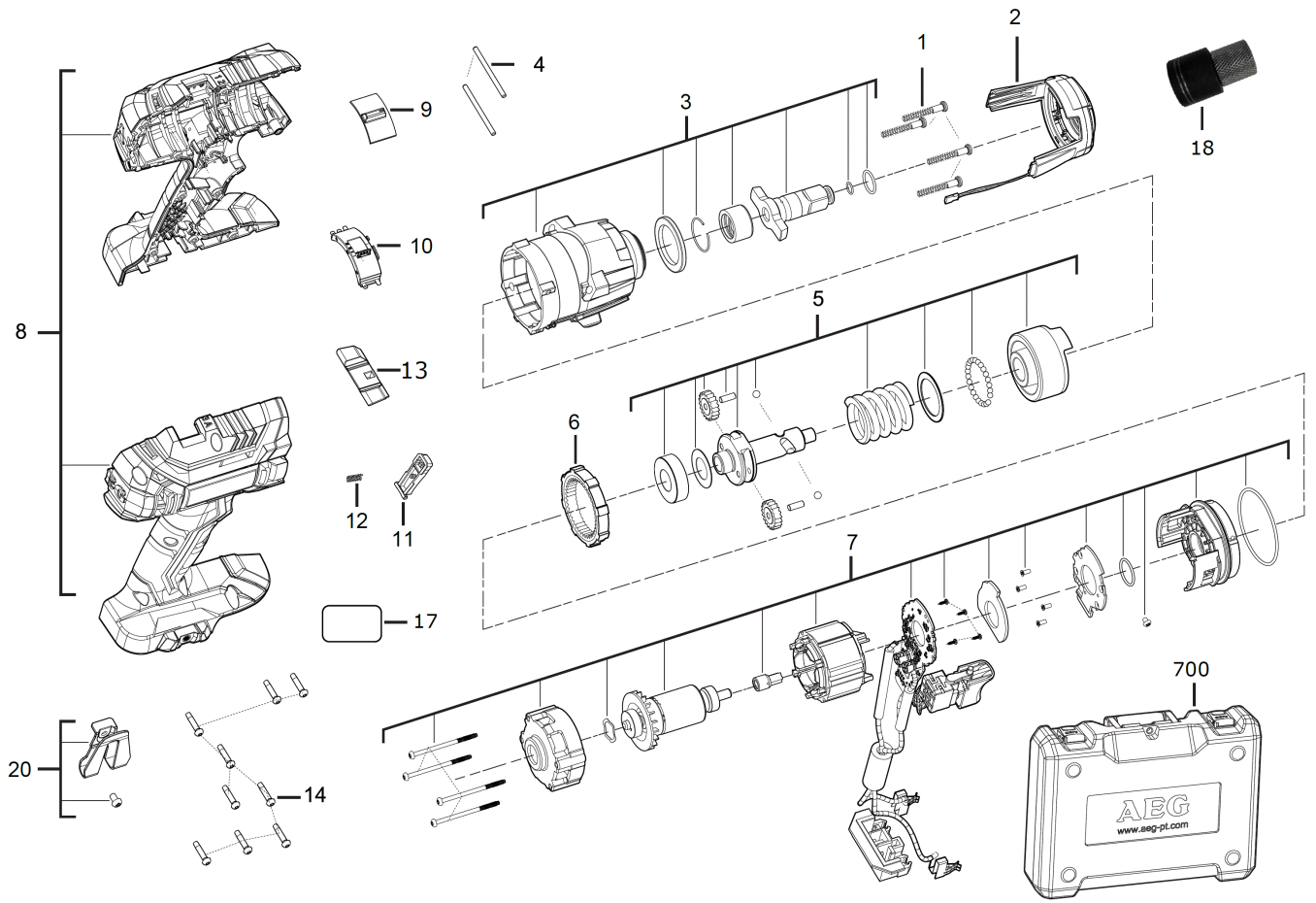


BSS18C12ZBL-201BKIT1 AKKUWERKZEUGE SET

4935472202 - BSS18C12ZBL-201B - 4000474418





| Position | Quantity | Description | Part number | EAN |
|----------|----------|-------------------|-------------------------------|---------------|
| 0001 1 | 4 | SCHRAUBE | 4931461094 | 4058546032661 |
| 0002 2 | 1 | ARBEITSLEUCHTE | 4931461093 | 4058546032654 |
| 0003 3 | 1 | SCHLAGBOLZEN | 4931461095 | 4058546032678 |
| 0004 4 | 2 | STIFT | 4931461099 | 4058546032715 |
| 0005 5 | 1 | GETRIEBEBAUSATZ | 4931461096 | 4058546032685 |
| 0006 6 | 1 | GETRIEBERAD | 4931461097 | 4058546032692 |
| 0007 7 | 1 | MOTOREINHEIT | 4931472583 | 4058546328856 |
| 0008 8 | 1 | GEHAEUSE | 4931461104 | 4058546032760 |
| 0009 9 | 1 | KNOPF | 4931461100 | 4058546032722 |
| 0010 10 | 1 | SCHALTERABDECKUNG | 4931461101 | 4058546032739 |
| 0011 11 | 1 | DRUECKER | 4931461103 | 4058546032753 |
| 0012 12 | 1 | FEDER | 4931454383 | 4058546008116 |
| 0013 13 | 1 | DRUECKER | 4931461102 | 4058546032746 |
| 0014 14 | 9 | SCHRAUBE | 660031029 | 4002395855773 |
| 0017 15 | 1 | LEISTUNGSSCHILD | Item discontinued(4931472584) | |
| 0018 16 | 1 | ANTRIEB | 4931443039 | 4002395254903 |
| 0020 17 | 1 | KLAMMER | 4931436204 | 4002395879007 |
| 0700 18 | 1 | TRANSPORTKOFFER | Item discontinued(4931461251) | |