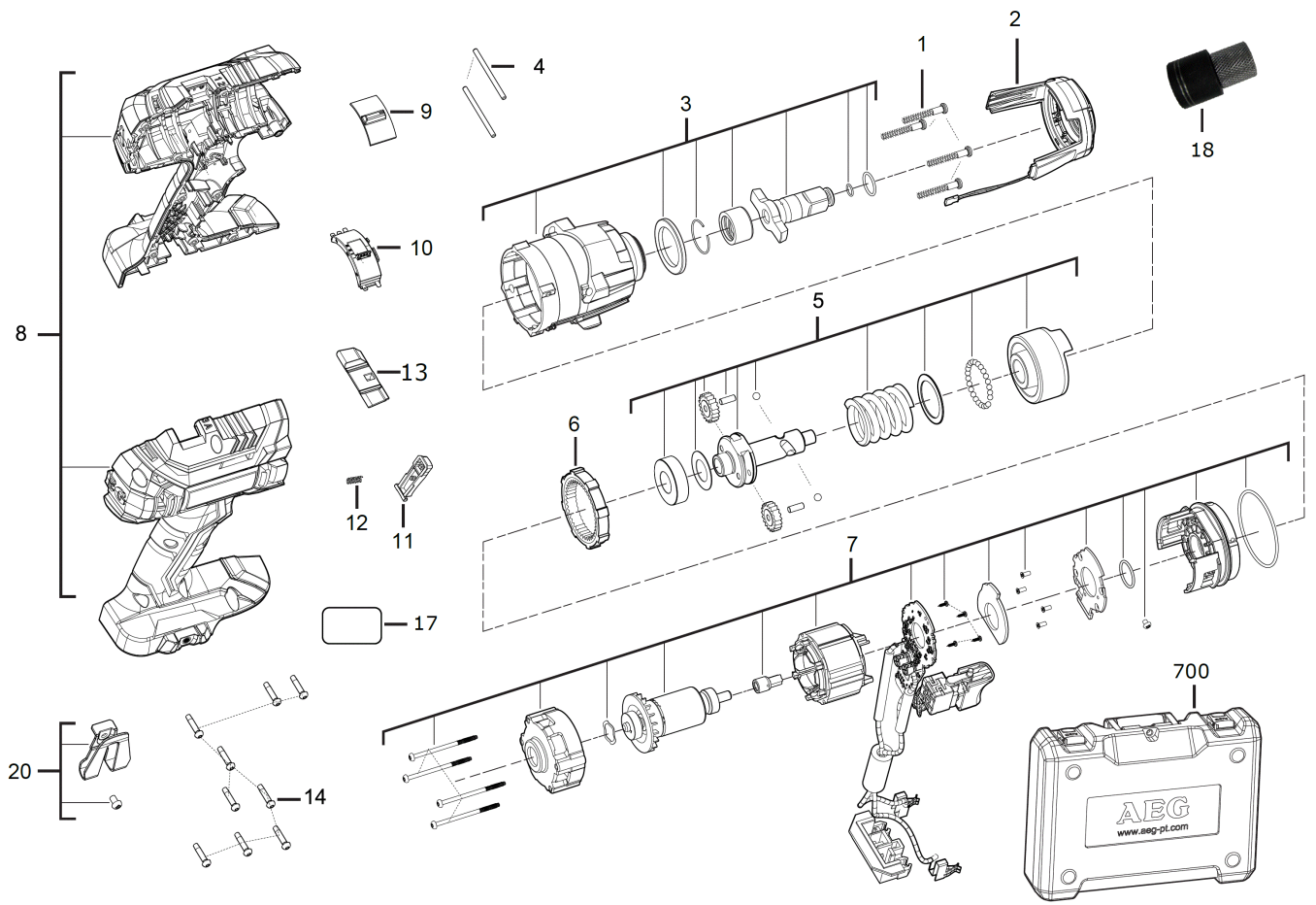


# BSS18C12ZBLLI-402C AK.-SCHLAGSCHRAU. IN2

4935459427 - BSS18C12ZBLLI-402C - 4000474418





| Position | Quantity | Description       | Part number                   | EAN           |
|----------|----------|-------------------|-------------------------------|---------------|
| 0001 1   | 4        | SCHRAUBE          | 4931461094                    | 4058546032661 |
| 0002 2   | 1        | ARBEITSLEUCHTE    | 4931461093                    | 4058546032654 |
| 0003 3   | 1        | SCHLAGBOLZEN      | 4931461095                    | 4058546032678 |
| 0004 4   | 2        | STIFT             | 4931461099                    | 4058546032715 |
| 0005 5   | 1        | GETRIEBEBAUSATZ   | 4931461096                    | 4058546032685 |
| 0006 6   | 1        | GETRIEBERAD       | 4931461097                    | 4058546032692 |
| 0007 7   | 1        | MOTOREINHEIT      | 4931472583                    | 4058546328856 |
| 0008 8   | 1        | GEHAEUSE          | 4931461104                    | 4058546032760 |
| 0009 9   | 1        | KNOPF             | 4931461100                    | 4058546032722 |
| 0010 10  | 1        | SCHALTERABDECKUNG | 4931461101                    | 4058546032739 |
| 0011 11  | 1        | DRUECKER          | 4931461103                    | 4058546032753 |
| 0012 12  | 1        | FEDER             | 4931454383                    | 4058546008116 |
| 0013 13  | 1        | DRUECKER          | 4931461102                    | 4058546032746 |
| 0014 14  | 9        | SCHRAUBE          | 660031029                     | 4002395855773 |
| 0017 15  | 1        | LEISTUNGSSCHILD   | Item discontinued(4931472584) |               |
| 0018 16  | 1        | ANTRIEB           | 4931443039                    | 4002395254903 |
| 0020 17  | 1        | KLAMMER           | 4931436204                    | 4002395879007 |
| 0700 18  | 1        | TRANSPORTKOFFER   | Item discontinued(4931461251) |               |