

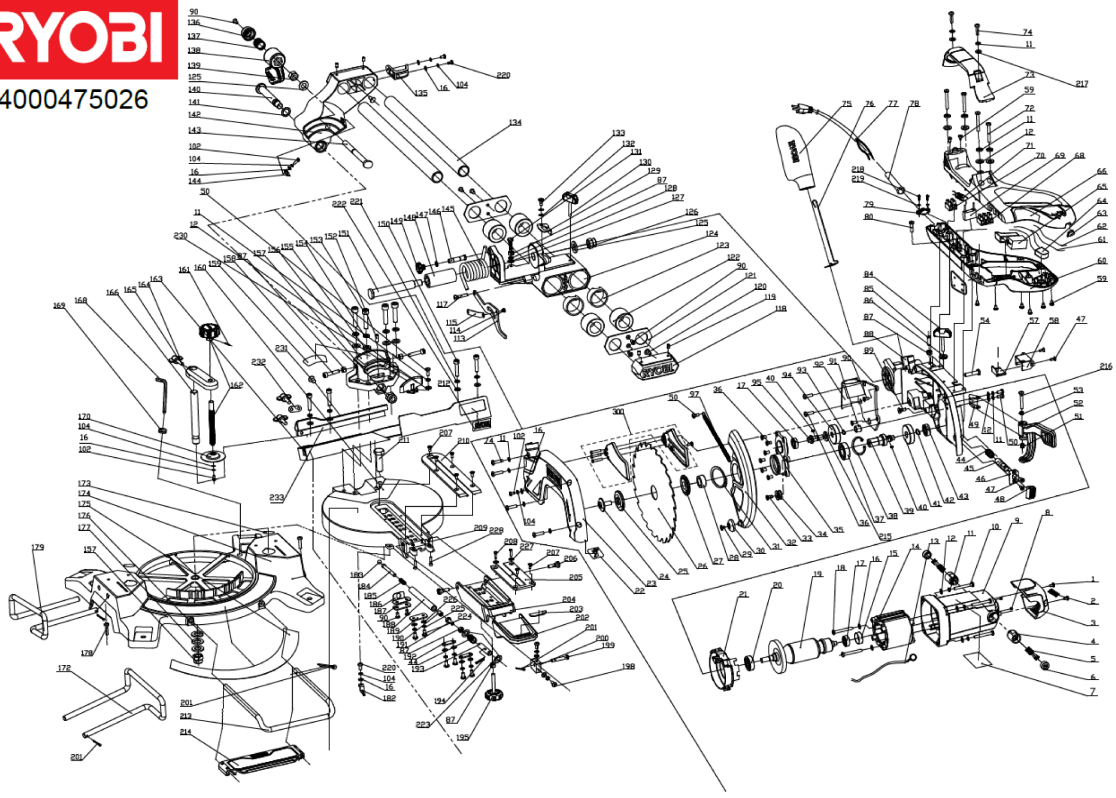
EMS216LLF KAPP-/GEHRUNGSSAEGE IN2

5133002886 - EMS216 - 4000475026





4000475026



Position	Quantity	Description	Part number	EAN
1001 1	2	SCHRAUBE	5131030760	4058546188320
1002 2	1	ETIKETT	5131033602	4002395149483
1003 3	1	DECKEL	5131030761	4058546188337
1004 4	2	BUERSTENHALTER	5131032217	4058546133115
1005 5	2	KOHLEBUERSTE	5131032218	4058546133122
1006 6	2	BUERSTENABDECKUNG	5131030765	4058546125714
1007 7	1	ETIKETT	5131033189	4002395151837
1008 8	2	SCHRAUBE	5131030766	4058546188351
1009 9	1	MOTORGEHAEUSE	5131030763	4058546188344
1010 10	4	SCHRAUBE	5131030767	4058546188368
1011 11	25	FEDERRING	5131030768	4058546125721
1012 12	21	SCHEIBE	5131030769	4058546125738
1013 13	1	ANSCHLUSSLEITUNG	5131030770	4058546125745
1014 14	1	FELD F. ELEKTROMOTOR	5131030771	4058546125752
1015 15	1	LAGERBUCHSE	5131030772	4058546125769
1016 16	8	SCHEIBE	5131030773	4058546125776
1017 17	1	KUGELLAGER	5131030774	4058546125783
1018 18	2	SCHRAUBE	5131030777	4058546125813
1019 19	1	ANKER KOMPLETT	5131032220	4058546133146
1020 20	1	KUGELLAGER	5131030776	4058546125806
1021 21	1	GETRIEBEFLANSCH	5131032221	4058546133153
1022 22	1	ETIKETT	5131033604	4002395150106
1023 23	1	TRENNSCHUTZHAUBE	5131030779	4058546188382
1024 24	1	BOLZEN	5131030780	4058546125820
1025 25	1	SPANNFLANSCH	5131030781	4058546125837
1026 26	1	SAEGBLATT	5131033605	4002395150113
1027 27	1	SPANNFLANSCH	5131030782	4058546125844
1028 28	1	HUELSE	5131030783	4058546125851
1029 29	1	SCHRAUBE	5131033606	4002395150120
1030 30	1	LAGERROLLE	5131030784	4058546188399
1031 31	1	SAEGERING	5131030785	4058546067496
1032 32	1	SCHUTZ	5131030786	4058546125868
1033 33	1	SCHRAUBE	5131030787	4058546125875
1034 34	1	ZWISCHENRAD	5131030788	4058546188405
1035 35	1	GETRIEBEDECKEL	5131030789	4058546125882
1036 36	8	SCHRAUBE	5131030802	4058546188412
1037 37	1	KUGELLAGER	5131030790	4058546125899
1038 38	1	RETAINING RING	5131030791	4058546125905
1039 39	1	GETRIEBEWELLE	5131030792	4058546125912
1040 40	2	KEIL	5131030793	4058546125929
1041 41	1	ZAHNRAD	5131030794	4058546125936
1042 42	1	RETAINING RING	5131030795	4058546125943
1043 43	1	KUGELLAGER	5131030796	4058546125950
1044 44	2	FEDER	5131030803	4058546126018
1045 45	1	KONTERSTIFT	5131030804	4058546188429
1046 46	1	SPANNBLECH	5131030805	4058546188436
1047 47	4	SCHRAUBE	5131030806	4058546188443
1048 48	1	KNOPF	5131030807	4058546188450
1049 49	1	HALTER	5131030808	4058546126025
1050 50	9	SCHRAUBE	5131030809	4058546126032

Position	Quantity	Description	Part number	EAN
1051 51	1	MUTTER	5131030810	4058546126049
1052 52	1	BEDIENUNGSHEBEL	5131030811	4058546126056
1053 53	1	FEDER	5131030812	4058546126063
1054 54	1	SCHRAUBE	5131030813	4058546126070
1057 55	1	LINSE	5131030816	4058546126100
1058 56	1	HALTER	5131030817	4058546188467
1059 57	10	SCHRAUBE	5131030818	4058546188474
1060 58	1	HANDGRIFFHAELFTE	Item discontinued(5131030819)	
1061 59	1	SCHALTDRAHT	5131030820	4058546188498
1062 60	1	SCHALTDRAHT	5131030821	4058546188504
1063 61	1	DECKEL	Item discontinued(5131030822)	
1064 62	1	Arbeitsleuchte	5131030823	4058546188511
1065 63	1	SCHALTER M.ELEKTRO.	5131030824	4058546126124
1066 64	1	GRIFFDECKEL	Item discontinued(5131030825)	
1068 65	1	ANSCHLUSSKLEMME	5131030827	4058546188535
1069 66	1	KONDENSATOR	5131030828	4058546126148
1070 67	1	ANSCHLUSSKLEMME	5131030829	4058546188542
1071 68	1	DROSSEL	5131030830	4058546126155
1072 69	4	SCHRAUBE	5131030831	4058546188559
1073 70	1	HANDGRIFF	5131030832	4058546188566
1074 71	6	SCHRAUBE	5131030833	4058546126162
1075 72	1	STAUBSACK	5131030949	4058546126858
1076 73	1	DRAHTBUEGEL	5131033607	4002395150137
1077 74	1	ELEKTRISCHES KABEL	Item discontinued(5131032222)	
1078 75	1	KNICKSCHUTZ	5131030835	4058546188580
1079 76	1	KLEMME	5131030836	4058546188597
1080 77	1	SCHRAUBE	5131030837	4058546188603
1084 78	1	DREHKNOPF	5131030841	4058546188610
1085 79	1	SCHRAUBE	5131030842	4058546188627
1086 80	1	MUTTER	Item discontinued(5131030843)	
1087 81	6	MUTTER	5131030844	4058546126186
1088 82	1	TRENNSCHUTZHAUBE	5131030845	4058546188641
1089 83	1	SCHRAUBE	5131030846	4058546126193
1090 84	9	SCHRAUBE	5131030847	4058546126209
1091 85	1	NADELLAGER	Item discontinued(5131030797)	
1092 86	1	GEHAEUSEDECKEL	5131030848	4058546188658
1093 87	1	RETAINING RING	5131030798	4058546125974
1094 88	1	ZAHNRAD	5131030799	4058546125981
1095 89	1	GETRIEBEWELLE	5131030800	4058546125998
1097 90	1	FEDER	5131030849	4058546126216
1102 91	4	SCHRAUBE	5131030854	4058546126230
1104 92	5	FEDERRING	5131030855	4058546126247
1113 93	1	HEBEL	5131030864	4058546126308
1114 94	1	NIET	5131030865	4058546126315
1115 95	1	HEBEL	5131030866	4058546126322
1117 96	1	SCHRAUBE	5131030867	4058546126339
1118 97	1	TRAEGER	5131030868	4058546188696
1119 98	4	SCHRAUBE	5131030869	4058546126346
1120 99	2	STOSSFAENGER	5131030870	4058546188702
1121 100	2	LAGERSCHILD	5131030871	4058546188719

Position	Quantity	Description	Part number	EAN
1122 101	4	LAGER	5131030872	4058546126353
1123 102	2	LAGERBUCHSE	5131030873	4058546126360
1124 103	1	TRAEGER	5131030874	4058546126377
1125 104	4	SCHEIBE	5131030875	4058546126384
1126 105	1	MUTTER	5131030876	4058546188726
1127 106	5	SCHEIBE	5131030877	4058546126391
1128 107	5	FEDERRING	5131030878	4058546126407
1129 108	1	STUETZTRAEGER	5131030879	4058546126414
1130 109	1	DREHKNOPF	5131030880	4058546067489
1131 110	1	SCHRAUBE	5131030881	4058546188733
1132 111	2	SCHEIBE	5131030882	4058546188740
1133 112	1	SCHRAUBE	5131030883	4058546188757
1134 113	2	ROHR	5131030884	4058546188764
1135 114	1	HALTER	5131030885	4058546126421
1136 115	1	KAPPE	5131030886	4058546126438
1137 116	1	FEDER	5131030887	4058546188771
1138 117	1	VERSCHLUSS	5131030888	4058546126445
1139 118	1	MUTTER	5131030889	4058546126452
1140 119	1	ACHSE	Item discontinued(5131030890)	
1141 120	1	SCHEIBE	5131030891	4058546188788
1142 121	1	KONSOLE	Item discontinued(5131030892)	
1143 122	1	ACHSE	5131030893	4058546126483
1144 123	1	SCHAUGLAS	5131030894	4058546188795
1145 124	1	DREHFEDER	5131030895	4058546188801
1146 125	1	ACHSE	5131030896	4058546188818
1147 126	1	SCHEIBE	5131030897	4058546188825
1148 127	1	DICHTBUCHSE	5131030898	4058546188832
1149 128	1	KNOPF	5131030899	4058546188849
1150 129	6	SCHRAUBE	5131030900	4058546126490
1151 130	1	ACHSE	5131030901	4058546188856
1152 131	1	SCHRAUBE	5131030902	4058546067472
1153 132	4	SCHRAUBE	5131030903	4058546188863
1154 133	4	FEDERRING	5131030904	4058546126506
1155 134	4	SCHEIBE	5131030905	4058546188870
1156 135	1	TRAEGER	Item discontinued(5131030906)	
1157 136	2	MUTTER	Item discontinued(5131030907)	
1158 137	2	SCHRAUBE	5131030908	4058546188894
1159 138	1	ETIKETT	5131030953	4058546188962
1160 139	1	DREHTISCH	Item discontinued(5131030909)	
1161 140	1	STIFT	5131033610	4002395150168
1162 141	1	KNOPF	5131033611	4002395150175
1163 142	1	ANSCHLAG	5131033185	4002395151196
1164 143	2	FLUEGELSCHRAUBE	5131030911	4058546126520
1165 144	1	PLATTE	5131033612	4002395150182
1166 145	1	KLEMMSTUECK	5131033613	4002395150199
1168 146	1	Sechskant	5131030950	4058546188955
1169 147	1	HALTER	5131030912	4058546188900
1170 148	1	KLEMMSTUECK	5131033615	4002395147410
1172 149	1	VERLAENGERUNG	5131042505	4058546257194
1173 150	2	ETIKETT	5131033616	4002395147427

Position	Quantity	Description	Part number	EAN
1174 151	1	BODENPLATTE	5131042506	4058546257200
1175 152	1	ETIKETT	5131030956	4058546126902
1176 153	2	SCHEIBE	5131030914	4058546188917
1177 154	3	SCHEIBE	5131030915	4058546188924
1178 155	2	SCHRAUBE	5131030916	4058546188931
1179 156	1	VERLAENGERUNG	5131042507	4058546257217
1182 157	1	SCHAUGLAS	5131030917	4058546126544
1183 158	1	KUGEL	5131030918	4058546126551
1184 159	1	ACHSE	5131030919	4058546126568
1185 160	1	FEDER	5131030920	4058546126575
1186 161	1	STUETZTRAEGER	5131030921	4058546126582
1187 162	1	PLATTE	5131030922	4058546126599
1188 163	1	ROHR	5131030923	4058546126605
1189 164	1	PLATTE	5131030924	4058546126612
1190 165	1	SCHRAUBE	5131030925	4058546126629
1191 166	1	SCHRAUBE	5131030926	4058546126636
1192 167	2	PLATTE	5131030927	4058546126643
1193 168	1	HEBEL	5131030928	4058546126650
1194 169	1	SPLINT	5131030929	4058546126667
1195 170	1	DREHKNOPF	5131030930	4058546126674
1198 171	2	SCHRAUBE	5131030931	4058546126681
1199 172	1	ACHSE	5131030932	4058546126698
1200 173	1	MITNEHMER	5131030933	4058546126704
1201 174	2	SPLINT	5131030934	4058546126711
1202 175	1	HANDGRIFF	5131030935	4058546126728
1203 176	1	PLATTE	5131030936	4058546126735
1204 177	1	VERLAENGERUNG	5131030937	4058546126742
1205 178	1	SPANREISSSCHUTZ	5131030938	4058546126759
1206 179	2	SCHRAUBE	5131030939	4058546126766
1207 180	7	SCHRAUBE	5131030940	4058546126773
1208 181	4	SCHRAUBE	5131030941	4058546126780
1209 182	2	SCHEIBE	5131030942	4058546126797
1210 183	1	SPANREISSSCHUTZ	5131030943	4058546126803
1211 184	1	SCHRAUBE	5131030944	4058546188948
1212 185	1	ETIKETT	5131033617	4002395147434
1213 186	1	VERLAENGERUNG	5131030945	4058546126810
1214 187	1	VERLAENGERUNG	5131030946	4058546126827
1215 188	1	SCHEIBE	Item discontinued(5131030954)	
1216 189	1	SCHRAUBE	5131030947	4058546126834
1217 190	2	SCHEIBE	5131032224	4058546133184
1218 191	2	SCHRAUBE	5131032225	4058546133191
1219 192	2	SCHEIBE	5131032226	4058546133207
1220 193	2	SCHRAUBE	Item discontinued(5131032227)	
1221 194	4	FEDERRING	Item discontinued(5131032228)	
1222 195	4	SCHEIBE	Item discontinued(5131032229)	
1223 196	2	SCHEIBE	5131032230	4058546133245
1224 197	6	SCHRAUBE	5131032231	4058546133252
1225 198	8	FEDERRING	5131032232	4058546133269
1226 199	8	SCHEIBE	5131032233	4058546133276
1227 200	2	SCHEIBE	5131032234	4058546133283

Position	Quantity	Description	Part number	EAN
1228 201	2	SCHRAUBE	Item discontinued(5131032235)	
1230 202	1	STAUBFANGTELLER	Item discontinued(5131032241)	
1231 203	1	SCHRAUBE	5131033186	4002395151806
1232 204	1	SCHEIBE	5131033187	4002395151813
1233 205	1	SAEGEANSCHLAG	5131033188	4002395151820
1300 206	1	SCHUTZHAUBENDECKEL	5131037476	4002395289653