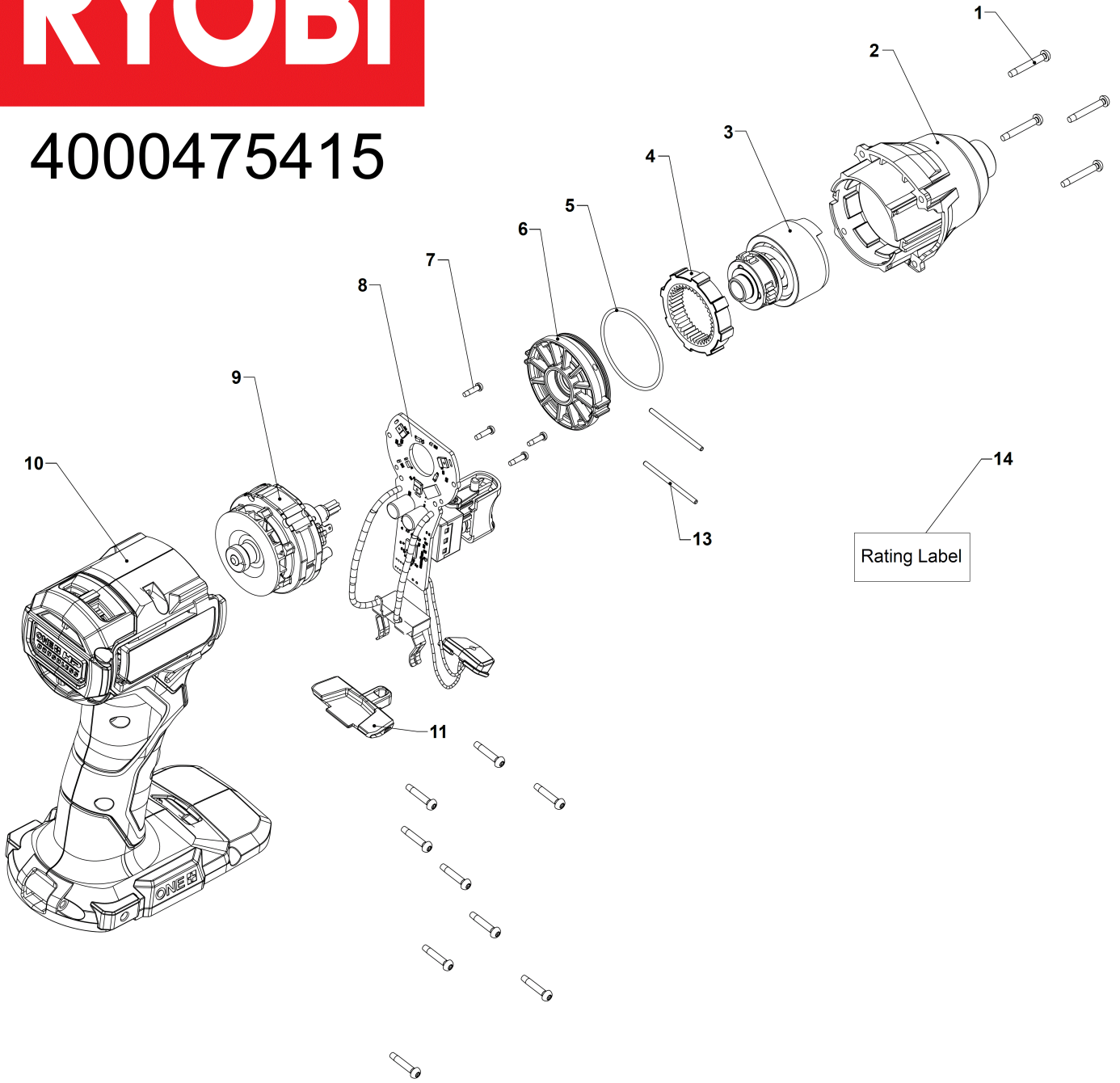


RCK182A-2C20S ELEKTROWERKZEUGE SET IN2

5133005288 - RCK182A-2C20S - 4000475415



4000475415



Position	Quantity	Description	Part number	EAN
1001 1	4	SCHRAUBE	5131043750	4058546351106
1002 2	1	GETRIEBEDECKEL	5131043751	4058546351113
1003 3	1	GETRIEBE	5131043752	4058546351120
1004 4	1	HOHLRAD	5131043753	4058546351137
1005 5	1	O-RING	5131043754	4058546351144
1006 6	1	LAGERSCHILD	5131043755	4058546351151
1007 7	4	SCHRAUBE	5131043756	4058546351168
1008 8	1	ELEKTRONIK	Item discontinued(5131043757)	
1009 9	1	MOTOREINHEIT	5131043758	4058546351182
1010 10	1	GEHAEUSE	5131043759	4058546351199
1011 11	1	DRUECKER	5131043760	4058546351205
1013 12	2	STIFT	5131043761	4058546351212
1014 13	1	LEISTUNGSSCHILD	5131043762	4058546351229