

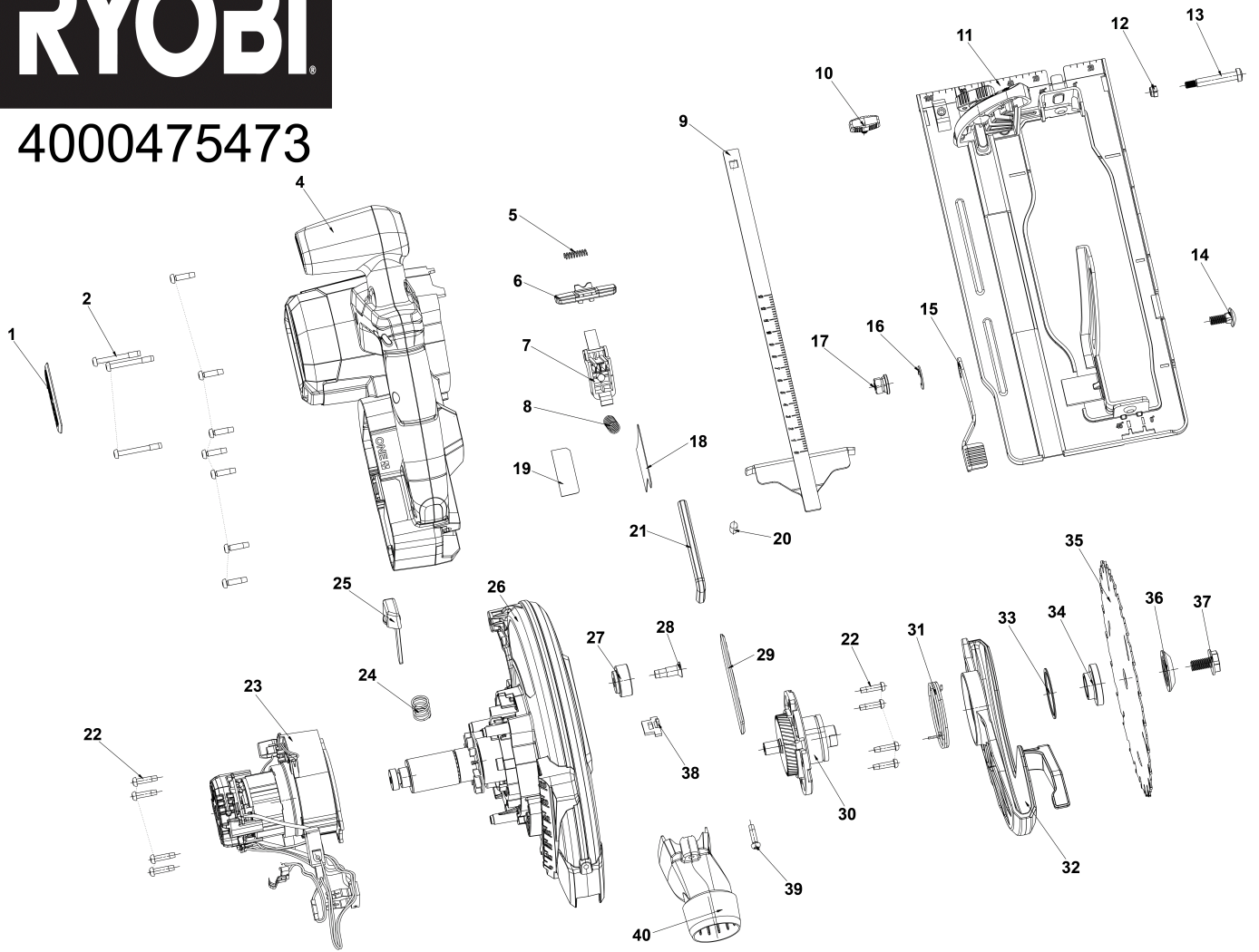
RCS18X-0 AKKU-KREISSAEGE XXX

5133004971 - RCS18X-0 - 4000475473





4000475473



Position	Quantity	Description	Part number	EAN
1001 1	1	ETIKETT	5131044902	4058546385125
1002 2	3	SCHRAUBE	5131031096	4058546127688
1004 3	1	GEHAEUSE	5131044903	4058546398248
1005 4	1	SCHRAUBE	5131041200	4058546064648
1006 5	1	KNOPF	5131044904	4058546398255
1007 6	1	DRUECKER	5131044905	4058546398262
1008 7	1	FEDER	5131044906	4058546398279
1009 8	1	TIEFENANSCHLAG	5131044907	4058546398286
1010 9	1	BEFESTIGUNGSBOLZEN	5131044908	4058546398293
1011 10	1	GRUNDPLATTE	5131044909	4058546398309
1012 11	1	PART NOT DETAILED	1000063920	
1013 12	1	SCHRAUBE	5131044910	4058546398316
1014 13	1	BEFESTIGUNGSBOLZEN	5131031126	4058546127930
1015 14	1	HEBEL	5131044911	4058546398323
1016 15	1	SICHERUNGSRING	5131031128	4058546127954
1017 16	1	FLANSCHMUTTER	5131031946	4058546056780
1018 17	1	LEISTUNGSSCHILD	5131044912	4058546398330
1019 18	1	ETIKETT	5131044913	4058546398347
1020 19	1	STOPFEN	5131019717	4058546108663
1021 20	1	SCHLUESSEL	5131041204	4058546064686
1022 21	1	PART NOT DETAILED	1000063920	
1023 22	1	PART NOT DETAILED	1000063920	
1024 23	1	FEDER	5131044914	4058546398354
1025 24	1	DRUECKER	5131044915	4058546398361
1026 25	1	ANKER F.ELEKTROMOTOR	5131044916	4058546398378
1027 26	1	STOSSFAENGER	5131031109	4058546127787
1028 27	1	SCHRAUBE	5131044917	4058546398385
1029 28	1	ETIKETT	5131044918	4058546398392
1030 29	1	GETRIEBERAD	5131044919	4058546398408
1031 30	1	FEDER	5131044920	4058546398415
1032 31	1	SCHUTZHAUBE	5131044921	4058546398422
1033 32	1	RETAINING RING	5131031117	4058546127855
1034 33	1	FLANSCHSCHEIBE	5131031118	4058546127862
1036 34	1	FLANSCHSCHEIBE	5131041211	4058546064754
1037 35	1	SCHRAUBE	5131041212	4058546064761
1038 36	1	STAUBKAPPE	5131041207	4058546064716
1039 37	1	PART NOT DETAILED	1000063920	
1040 38	1	ABSAUGSTUTZEN	5131044922	4058546398439
1035 39	1	CSB184A1 Saegeblatt fuer R18CS7	5132003615	4892210157645