

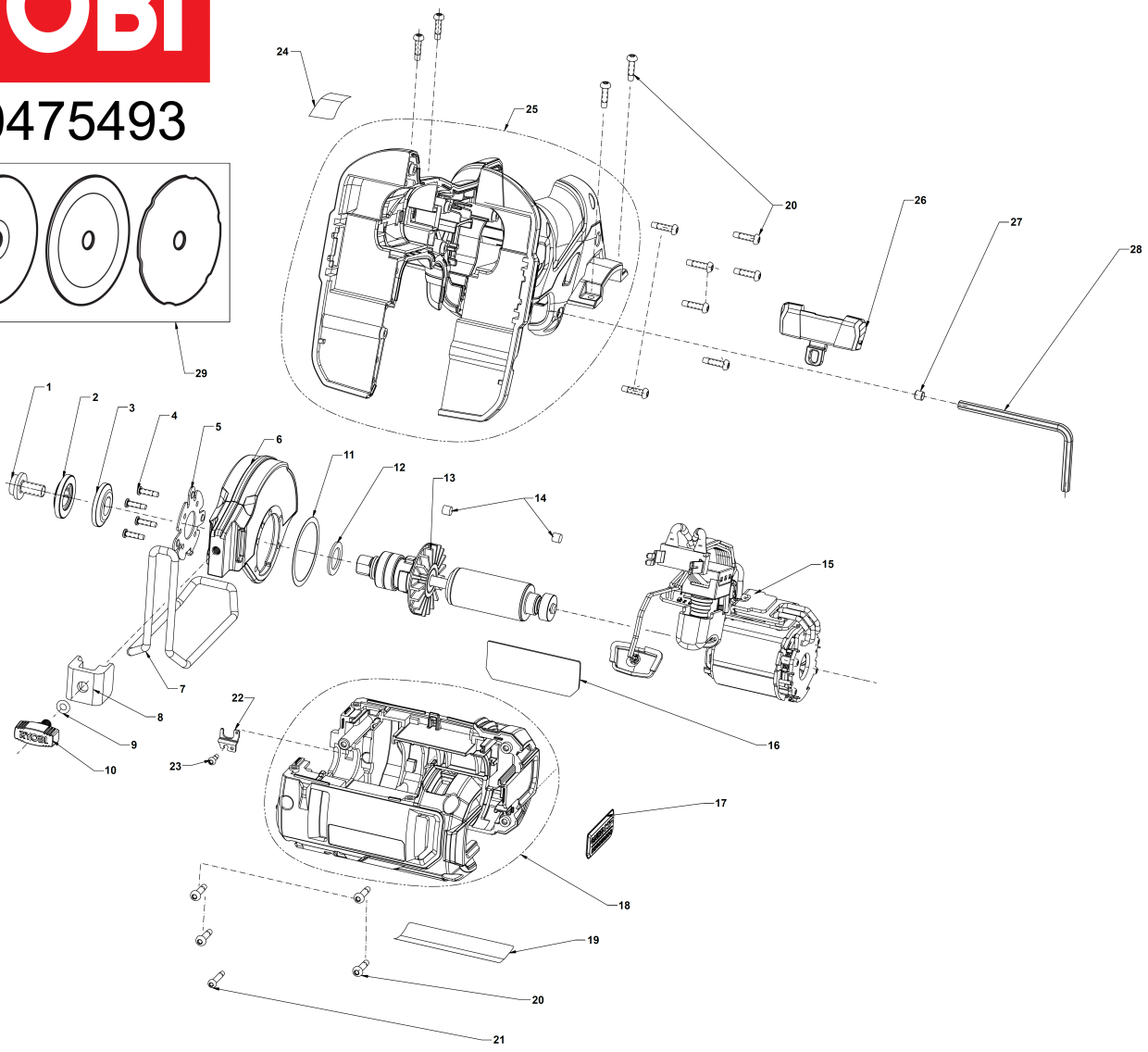
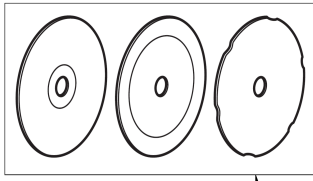
RCT18C-0 AKKU-Trennsaege GBX

5133005034 - RCT18C-0 - 4000475493





4000475493



Position	Quantity	Description	Part number	EAN
1001 1	1	SCHRAUBE	5131043970	4058546379063
1002 2	1	FLANSCH	5131043971	4058546379070
1003 3	1	SPANNFLANSCH	5131043972	4058546379087
1004 4	4	SCHRAUBE	5131043973	4058546379094
1005 5	1	ZWISCHENFLANSCH	5131043974	4058546379100
1006 6	1	SCHUTZHAUBE	5131043975	4058546379117
1007 7	1	FEDER	5131043976	4058546379124
1008 8	1	HALTERUNG	5131043977	4058546379131
1009 9	1	DICHTUNG	5131043978	4058546379148
1010 10	1	SCHLOSS	5131031122	4058546127909
1011 11	1	SCHEIBE	5131043979	4058546379155
1012 12	1	DICHTUNG	5131043980	4058546379162
1013 13	1	ANKER F.ELEKTROMOTOR	5131043981	4058546379179
1014 14	2	GUMMIPUFFER	5131043982	4058546379186
1015 15	1	DC-MOTOR	5131050151	4058546671297
1016 16	1	ETIKETT	5131043984	4058546379209
1017 17	1	ETIKETT	5131043985	4058546379216
1018 18	1	GEHAEUSE	5131043986	4058546379223
1019 19	1	LEISTUNGSSCHILD	5131043987	4058546379230
1020 20	1	PART NOT DETAILED	1000063920	
1021 21	1	PART NOT DETAILED	1000063920	
1022 22	1	BEFESTIGUNGSTEIL	5131043990	4058546379261
1023 23	1	SCHRAUBE	5131043991	4058546379278
1024 24	1	ETIKETT	5131043992	4058546379285
1025 25	1	GEHAEUSE	5131043993	4058546379292
1026 26	1	DRUECKER	5131043994	4058546379308
1027 27	1	GUMMIPUFFER	5131043995	4058546379315
1028 28	1	PART NOT DETAILED	1000063920	
1029 29	1	RAKCOT03 3pcs cut-off tool blade set XXX	5132005055	4892210194329