

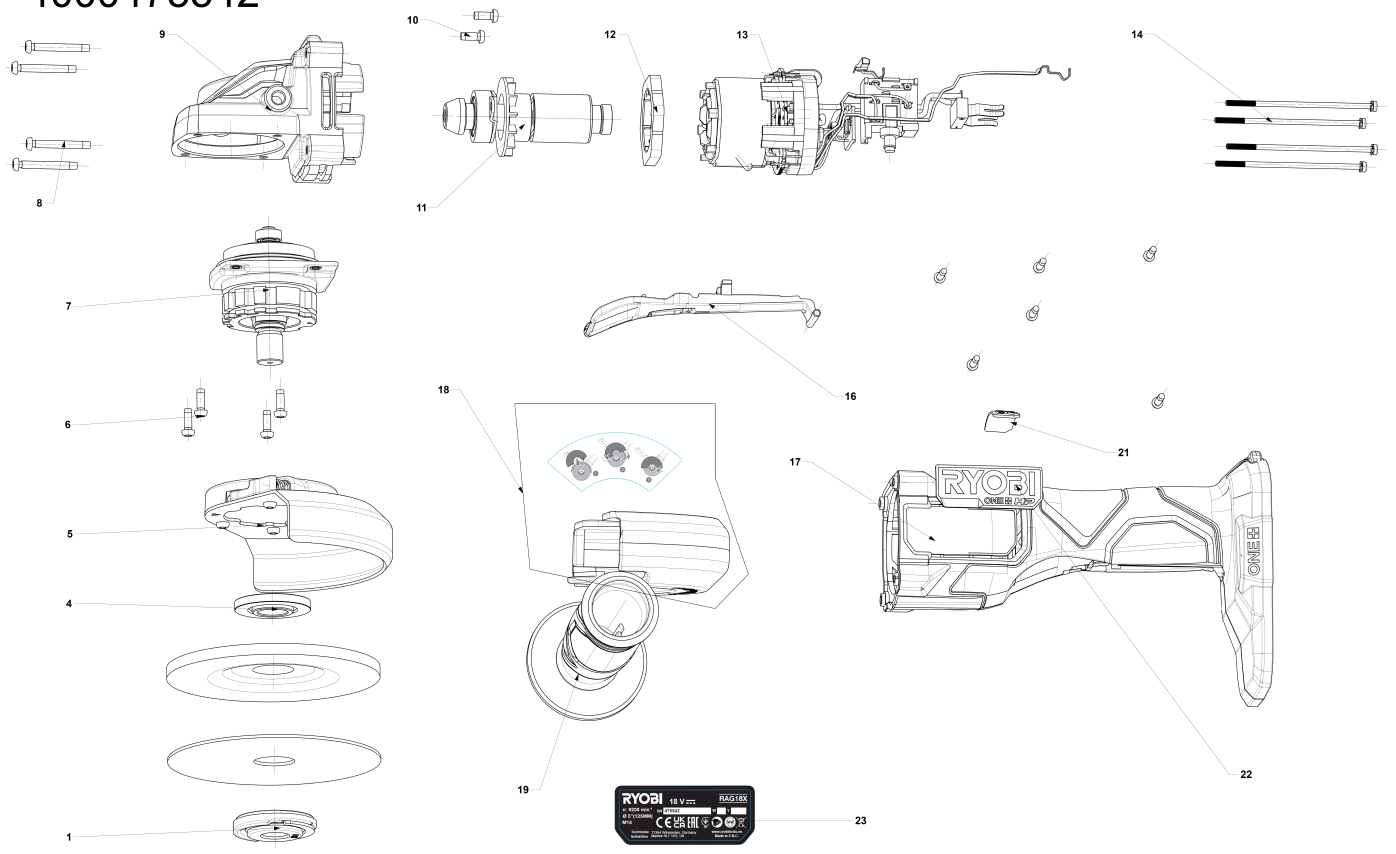
# RAG18X-0 AKKU-WINKELSCHLEIFER XXX

5133005011 - RAG18X-0 - 4000475542





4000475542



Position	Quantity	Description	Part number	EAN
1001 1	1	SPANNFLANSCH	5131045066	4058546399870
1004 2	1	HALTESCHEIBE	5131041174	4058546064389
1005 3	1	SCHUTZHAUBE	5131045067	4058546399887
1006 4	1	PART NOT DETAILED	1000063920	
1007 5	1	GETRIEBE	5131045068	4058546399894
1008 6	4	SCHRAUBE	5131045069	4058546399900
1009 7	1	GETRIEBEKOPF	5131045070	4058546399917
1010 8	2	SCHRAUBE	5131033591	4002395148042
1011 9	1	ANKER F.ELEKTROMOTOR	5131045071	4058546399924
1012 10	1	DISTANZSCHEIBE	5131041186	4058546064501
1013 11	1	ELEKTRONIK	5131045072	4058546399931
1014 12	4	SCHRAUBE	5131045073	4058546399948
1016 13	1	DRUECKER	5131045074	4058546399955
1017 14	1	GEHAEUSE	5131045075	4058546399962
1018 15	1	TRENNSCHUTZHAUBE	5131045076	4058546399979
1019 16	1	HANDGRIFF	5131045077	4058546399986
1021 17	1	ETIKETT	5131045078	4058546399993
1022 18	1	ETIKETT	5131045079	4058546400002
1023 19	1	LEISTUNGSSCHILD	5131045080	4058546400019