

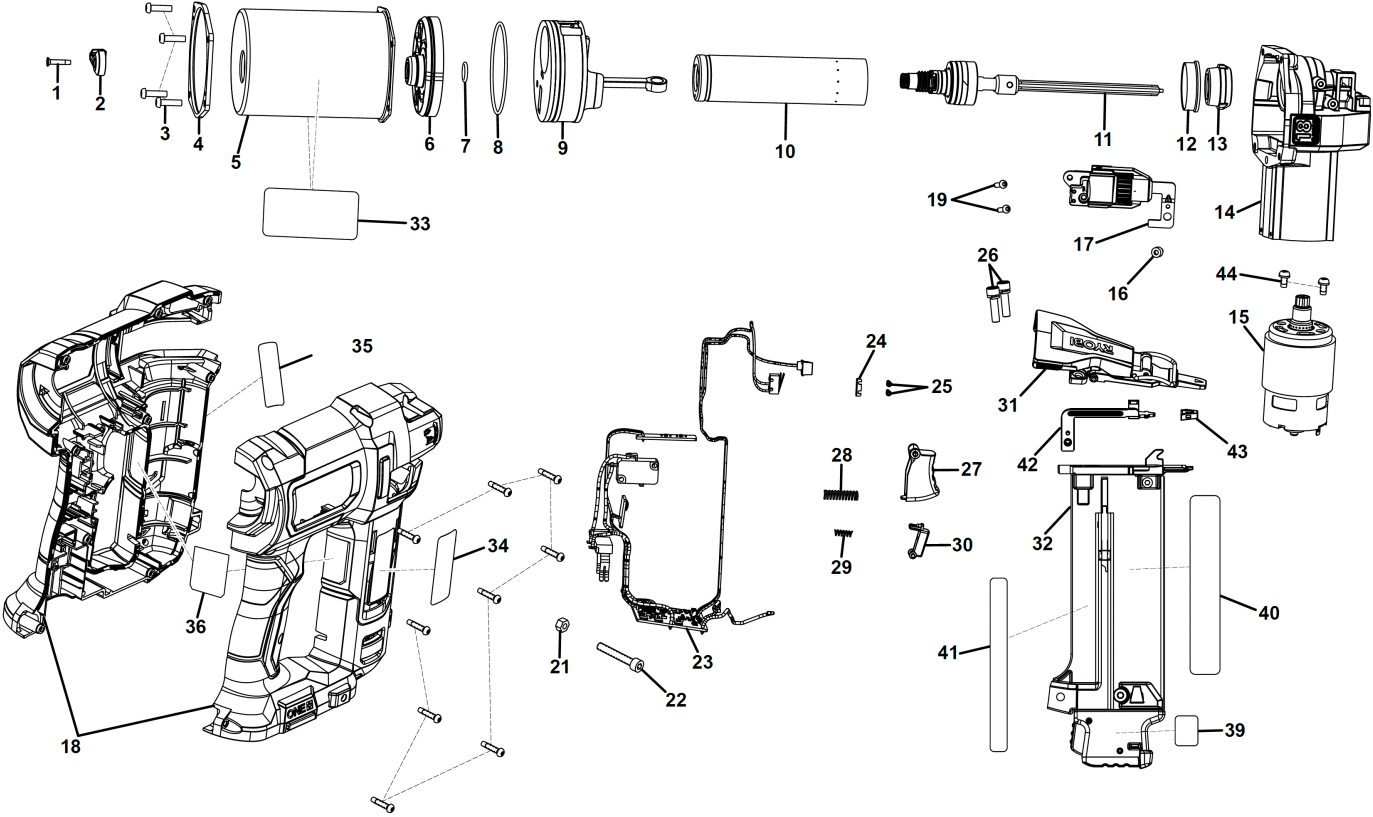
R18GN18-0 AKKU-NAGLER XXX

5133005136 - R18GN18-0 - 4000475655





4000475655



| Position | Quantity | Description | Part number | EAN |
|----------|----------|-------------------|-------------------------------|---------------|
| 1001 1 | 1 | SCHRAUBE | Item discontinued(5131031698) | |
| 1002 2 | 1 | KNOPF | 5131045321 | 4058546400248 |
| 1003 3 | 1 | PART NOT DETAILED | 1000063920 | |
| 1004 4 | 1 | FLANSCHSCHEIBE | 5131045322 | 4058546400255 |
| 1005 5 | 1 | ZYLINDER | 5131045323 | 4058546400262 |
| 1006 6 | 1 | HALTER | 5131045324 | 4058546400279 |
| 1007 7 | 1 | O-Ring | 5131031712 | 4058546129668 |
| 1008 8 | 1 | O-RING | 5131045325 | 4058546400286 |
| 1009 9 | 1 | KOLBEN KOMPL. | 5131045326 | 4058546400293 |
| 1010 10 | 1 | ANTRIEBSHUELSE | 5131031715 | 4058546198244 |
| 1011 11 | 1 | MITNEHMER | 5131045327 | 4058546400309 |
| 1012 12 | 1 | GUMMIBUCHSE | 5131031717 | 4058546129705 |
| 1013 13 | 1 | STOSSFAENGER | 5131043957 | 4058546378936 |
| 1014 14 | 1 | GETRIEBEKASTEN | 5131045328 | 4058546400316 |
| 1015 15 | 1 | MOTOR | 5131045329 | 4058546400323 |
| 1016 16 | 1 | SCHRAUBE | Item discontinued(5131031730) | |
| 1017 17 | 1 | FEINEINSTELLUNG | 5131045330 | 4058546400330 |
| 1018 18 | 1 | GEHAEUSE | 5131045331 | 4058546400347 |
| 1019 19 | 1 | PART NOT DETAILED | 1000063920 | |
| 1021 20 | 1 | PART NOT DETAILED | 1000063920 | |
| 1022 21 | 1 | PART NOT DETAILED | 1000063920 | |
| 1023 22 | 1 | ELEKTRONIK | 5131045332 | 4058546400354 |
| 1024 23 | 1 | HALTEPLATTE | 5131045307 | 4058546399672 |
| 1025 24 | 2 | SCHRAUBE | Item discontinued(5131031746) | |
| 1026 25 | 2 | SCHRAUBE | 5131045333 | 4058546400361 |
| 1027 26 | 1 | DRUECKER | 5131045305 | 4058546399658 |
| 1028 27 | 1 | FEDER | Item discontinued(5131031747) | |
| 1029 28 | 1 | PART NOT DETAILED | 1000063920 | |
| 1030 29 | 1 | DRUECKER | 5131045306 | 4058546399665 |
| 1031 30 | 1 | ABDECKUNG | 5131045334 | 4058546400378 |
| 1032 31 | 1 | MAGAZIN | 5131045335 | 4058546400385 |
| 1033 32 | 2 | ETIKETT | 5131045336 | 4058546400392 |
| 1034 33 | 1 | LEISTUNGSSCHILD | 5131045337 | 4058546400408 |
| 1035 34 | 1 | ETIKETT | 5131045312 | 4058546399771 |
| 1036 35 | 1 | ETIKETT | 5131045338 | 4058546400415 |
| 1039 36 | 1 | ETIKETT | 5131045339 | 4058546400422 |
| 1040 37 | 1 | ETIKETT | 5131045340 | 4058546400439 |
| 1041 38 | 1 | ETIKETT | 5131045341 | 4058546400446 |
| 1042 39 | 1 | KONTAKTEINSATZ | 5131045342 | 4058546400453 |
| 1043 40 | 2 | NASENSTUECK | 5131045343 | 4058546400460 |
| 1044 41 | 2 | SCHRAUBE | 5131043368 | 4058546265823 |