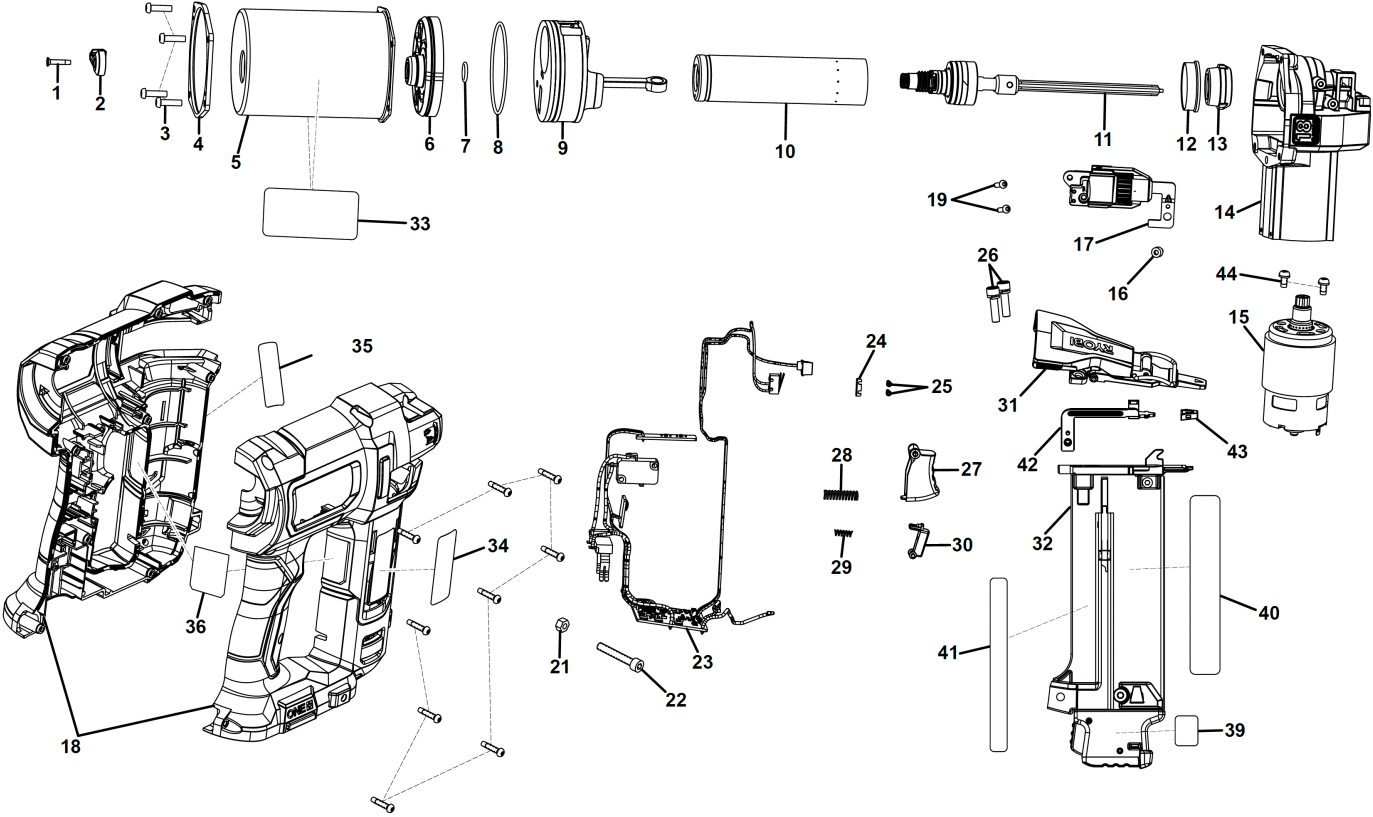


R18GN18-125SA AKKU-NAGLER GB2

5133006167 - R18GN18-125SA - 4000475655



4000475655



Position	Quantity	Description	Part number	EAN
1001 1	1	SCHRAUBE	Item discontinued(5131031698)	
1002 2	1	KNOPF	5131045321	4058546400248
1003 3	1	PART NOT DETAILED	1000063920	
1004 4	1	FLANSCHSCHEIBE	5131045322	4058546400255
1005 5	1	ZYLINDER	5131045323	4058546400262
1006 6	1	HALTER	5131045324	4058546400279
1007 7	1	O-Ring	5131031712	4058546129668
1008 8	1	O-RING	5131045325	4058546400286
1009 9	1	KOLBEN KOMPL.	5131045326	4058546400293
1010 10	1	ANTRIEBSHUELSE	5131031715	4058546198244
1011 11	1	MITNEHMER	5131045327	4058546400309
1012 12	1	GUMMIBUCHSE	5131031717	4058546129705
1013 13	1	STOSSFAENGER	5131043957	4058546378936
1014 14	1	GETRIEBEKASTEN	5131045328	4058546400316
1015 15	1	MOTOR	5131045329	4058546400323
1016 16	1	SCHRAUBE	Item discontinued(5131031730)	
1017 17	1	FEINEINSTELLUNG	5131045330	4058546400330
1018 18	1	GEHAEUSE	5131045331	4058546400347
1019 19	1	PART NOT DETAILED	1000063920	
1021 20	1	PART NOT DETAILED	1000063920	
1022 21	1	PART NOT DETAILED	1000063920	
1023 22	1	ELEKTRONIK	5131045332	4058546400354
1024 23	1	HALTEPLATTE	5131045307	4058546399672
1025 24	2	SCHRAUBE	Item discontinued(5131031746)	
1026 25	2	SCHRAUBE	5131045333	4058546400361
1027 26	1	DRUECKER	5131045305	4058546399658
1028 27	1	FEDER	Item discontinued(5131031747)	
1029 28	1	PART NOT DETAILED	1000063920	
1030 29	1	DRUECKER	5131045306	4058546399665
1031 30	1	ABDECKUNG	5131045334	4058546400378
1032 31	1	MAGAZIN	5131045335	4058546400385
1033 32	2	ETIKETT	5131045336	4058546400392
1034 33	1	LEISTUNGSSCHILD	5131045337	4058546400408
1035 34	1	ETIKETT	5131045312	4058546399771
1036 35	1	ETIKETT	5131045338	4058546400415
1039 36	1	ETIKETT	5131045339	4058546400422
1040 37	1	ETIKETT	5131045340	4058546400439
1041 38	1	ETIKETT	5131045341	4058546400446
1042 39	1	KONTAKTEINSATZ	5131045342	4058546400453
1043 40	2	NASENSTUECK	5131045343	4058546400460
1044 41	2	SCHRAUBE	5131043368	4058546265823