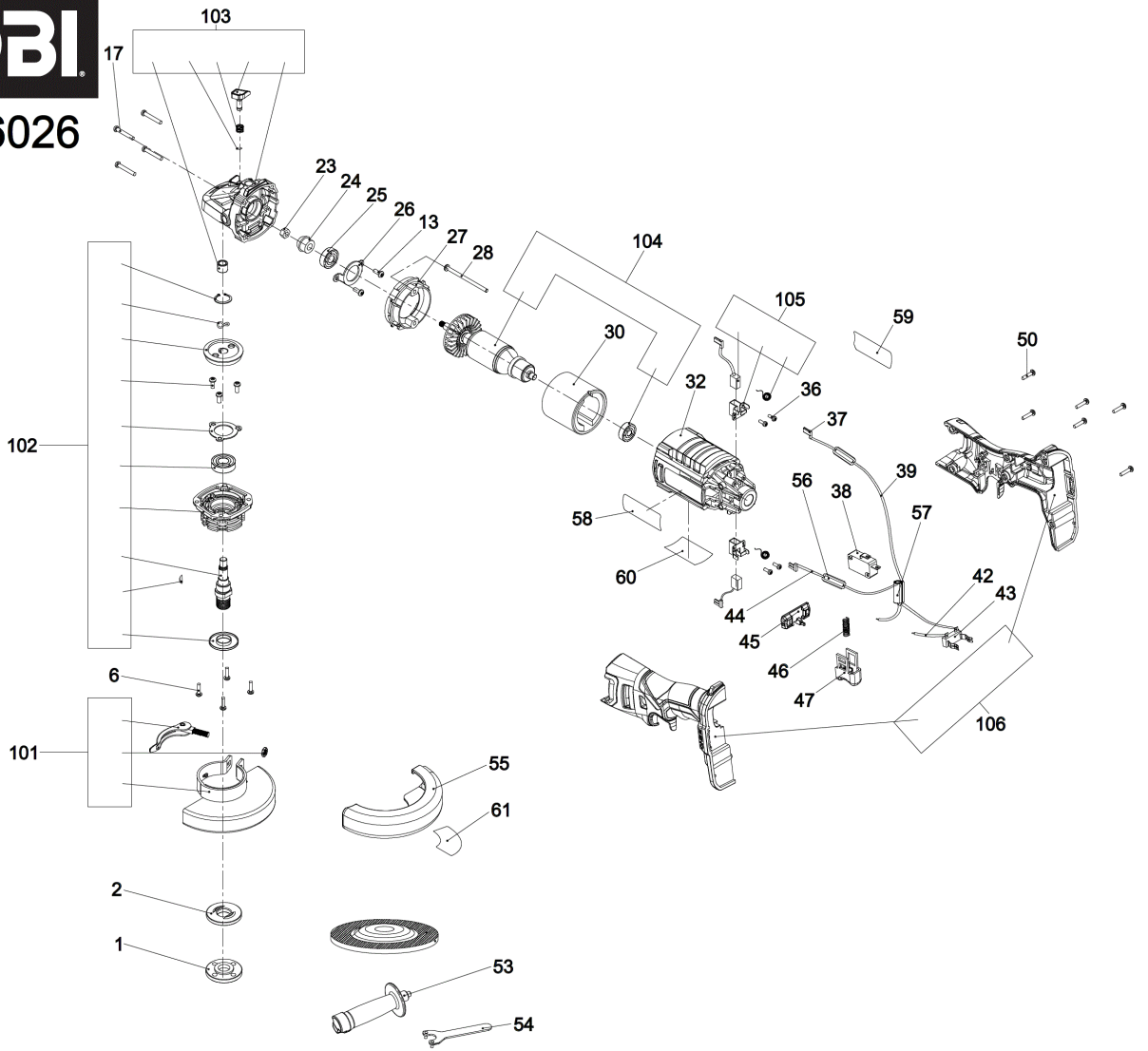


RAG18125-1C40S AKKU-WINKELSCHLEIFER IN2

5133005643 - RAG18125-1C40S - 4000486026

RYOBI

4000486026



| Position | Quantity | Description | Part number | EAN |
|----------|----------|----------------------|-------------------------------|---------------|
| 1001 1 | 1 | SPANNFLANSCH | 5131050339 | 4058546673178 |
| 1002 2 | 1 | HALTESCHEIBE | 5131050340 | 4058546673185 |
| 1006 3 | 4 | SCHRAUBE | 5131050341 | 4058546673192 |
| 1013 4 | 3 | SCHRAUBE | 5131037432 | 4002395287413 |
| 1017 5 | 4 | SCHRAUBE | 5131050342 | 4058546673208 |
| 1023 6 | 1 | MUTTER | 5131037437 | 4002395287468 |
| 1024 7 | 1 | ZAHNRAD | 5131050343 | 4058546673215 |
| 1025 8 | 1 | LAGER | 5131050344 | 4058546673222 |
| 1026 9 | 1 | LAGERDECKEL | 5131037440 | 4002395287499 |
| 1027 10 | 1 | VENTILATORGEHAEUSE | 5131050345 | 4058546673239 |
| 1028 11 | 2 | SCHRAUBE | 5131050346 | 4058546673246 |
| 1030 12 | 1 | FELD F. ELEKTROMOTOR | 5131050347 | 4058546673253 |
| 1032 13 | 1 | MOTORGEHAEUSE | 5131050371 | 4058546673499 |
| 1036 14 | 4 | SCHRAUBE | 5131037448 | 4002395288175 |
| 1037 15 | 2 | KLEMME | Item discontinued(5131050349) | |
| 1038 16 | 1 | SCHALTER | Item discontinued(5131050350) | |
| 1039 17 | 1 | ANSCHLUSSLEITUNG | Item discontinued(5131050351) | |
| 1042 18 | 1 | ANSCHLUSSLEITUNG | Item discontinued(5131050352) | |
| 1043 19 | 1 | ANSCHLUSSKLEMME | 5131050353 | 4058546673314 |
| 1044 20 | 1 | ANSCHLUSSLEITUNG | Item discontinued(5131050354) | |
| 1045 21 | 1 | KNOPF | 5131050355 | 4058546673338 |
| 1046 22 | 1 | FEDER | 5131037454 | 4002395288830 |
| 1047 23 | 1 | KNOPF | 5131050356 | 4058546673345 |
| 1050 24 | 6 | SCHRAUBE | 5131050357 | 4058546673352 |
| 1053 25 | 1 | ZUSATZHANDGRIFF | 5131050358 | 4058546673369 |
| 1054 26 | 1 | SCHLUESSEL | 5131037461 | 4002395289509 |
| 1055 27 | 1 | TRENNSCHUTZHAUBE | 5131049013 | 4058546551421 |
| 1056 28 | 2 | FERRITKERN | Item discontinued(5131050359) | |
| 1057 29 | 1 | FERRITKERN | Item discontinued(5131050360) | |
| 1058 30 | 1 | ETIKETT | 5131050361 | 4058546673390 |
| 1059 31 | 1 | LEISTUNGSSCHILD | 5131050362 | 4058546673406 |
| 1060 32 | 1 | ETIKETT | 5131050363 | 4058546673413 |
| 1061 33 | 1 | ETIKETT | 5131050372 | 4058546673505 |
| 1101 34 | 1 | SCHUTZHAUBE | 5131050373 | 4058546673512 |
| 1102 35 | 1 | GETRIEBE | 5131050366 | 4058546673444 |
| 1103 36 | 1 | GETRIEBEKOPF | 5131050367 | 4058546673451 |
| 1104 37 | 1 | ANKER F.ELEKTROMOTOR | 5131050368 | 4058546673468 |
| 1105 38 | 1 | KOHLEBUERSTE | 5131050369 | 4058546673475 |
| 1106 39 | 1 | GEHAEUSE | 5131050370 | 4058546673482 |
| 1109 40 | 1 | SCHALTER | 5131050484 | 4058546674625 |