

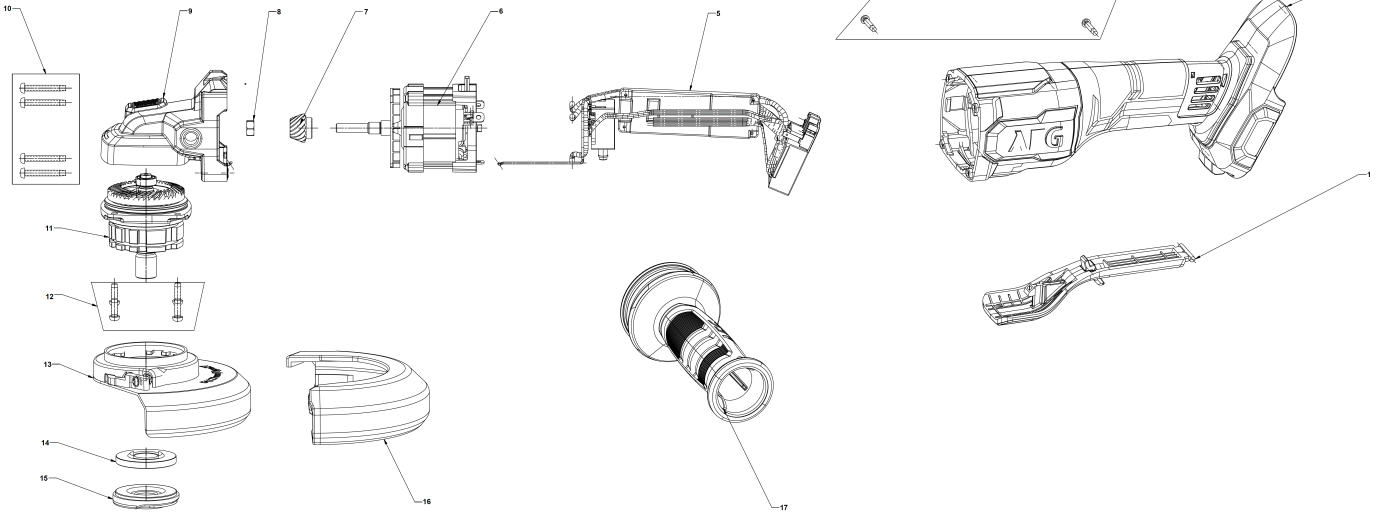
BEWS18-125BLPX2-0 A.GRINER 125MM XXX

4935480857 - BEWS18-125BLPX2-0 - 4000486099



AEG

4000486099



| Position | Quantity | Description | Part number | EAN |
|----------|----------|-------------------|-------------|---------------|
| 1001 1 | 1 | DRUECKER | 4931494576 | 4058546471484 |
| 1002 2 | 1 | GEHAEUSE | 4931494411 | 4058546469832 |
| 1003 3 | 1 | ABDECKUNG | 4931494412 | 4058546469849 |
| 1005 4 | 1 | PART NOT DETAILED | 1000063920 | |
| 1006 5 | 1 | PART NOT DETAILED | 1000063920 | |
| 1007 6 | 1 | RITZEL | 4931494414 | 4058546469863 |
| 1008 7 | 1 | MUTTER | 4931479328 | 4058546386436 |
| 1009 8 | 1 | GETRIEBEKOPF | 4931494415 | 4058546469870 |
| 1010 9 | 4 | SCHRAUBE | 4931466540 | 4058546277574 |
| 1011 10 | 1 | GETRIEBE | 4931494416 | 4058546469887 |
| 1012 11 | 4 | SCHRAUBE | 4931466482 | 4058546276997 |
| 1013 12 | 1 | SCHUTZHAUBE | 4931494577 | 4058546471491 |
| 1014 13 | 1 | FLANSCHMUTTER | 4931466487 | 4058546277048 |
| 1015 14 | 1 | FIXTEC-MUTTER | 4931494418 | 4058546469900 |
| 1016 15 | 1 | TRENNSCHUTZHAUBE | 4931494621 | 4058546471934 |
| 1017 16 | 1 | HANDGRIFF | 4931494420 | 4058546469924 |