

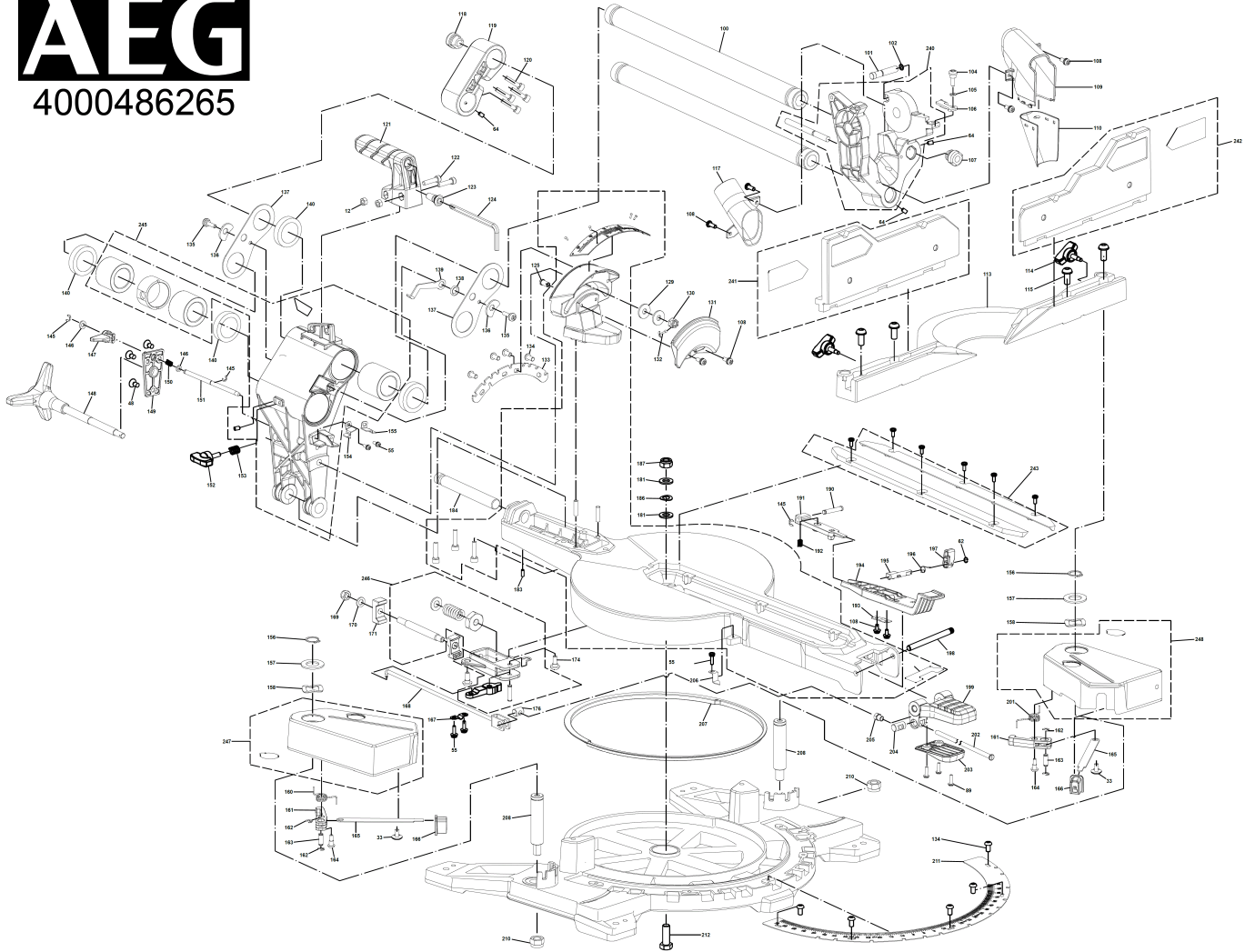
PS254DBE EL. KAPP-/GEHRUNGSSAEGE XXX

4935481077 - PS254DBE - 4000486265



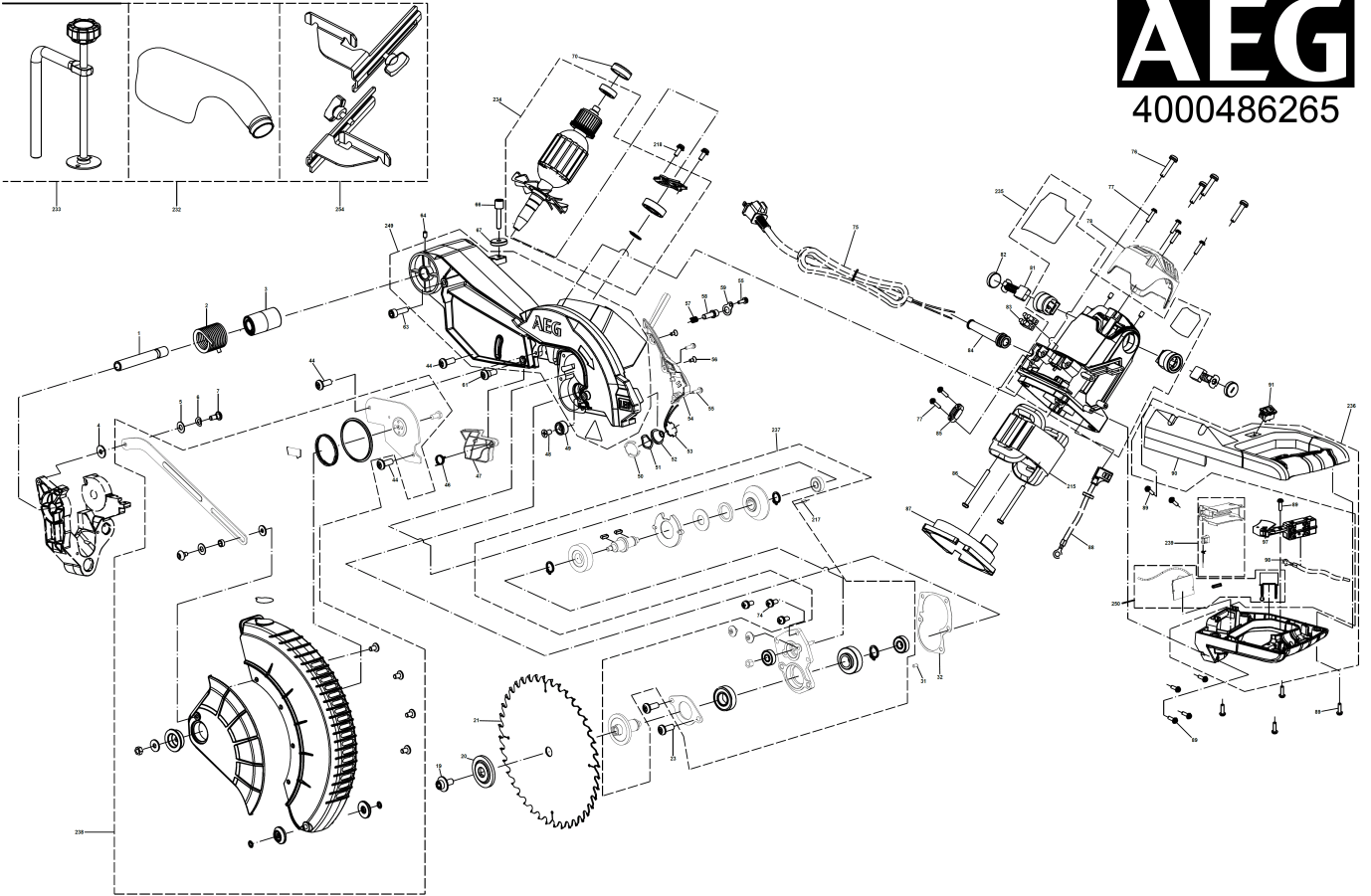
AEG

4000486265



AEG

4000486265



| Position | Quantity | Description | Part number | EAN |
|----------|----------|------------------------|-------------|---------------|
| 1012 1 | 1 | MUTTER | 4931494995 | 4058546486631 |
| 1033 2 | 4 | SCHRAUBE | 4931494996 | 4058546486648 |
| 1048 3 | 8 | SCHRAUBE | 4931494997 | 4058546486655 |
| 1055 4 | 16 | SCHRAUBE | 4931494998 | 4058546486662 |
| 1062 5 | 1 | SICHERUNGSRING | 4931494999 | 4058546486679 |
| 1064 6 | 8 | SCHRAUBE | 4931495000 | 4058546486686 |
| 1089 7 | 28 | SCHRAUBE | 4931495001 | 4058546486693 |
| 1100 8 | 2 | SCHAFT | 4931495002 | 4058546486709 |
| 1101 9 | 1 | STIFT | 4931495003 | 4058546486716 |
| 1102 10 | 1 | O-RING | 4931495004 | 4058546486723 |
| 1104 11 | 1 | SCHRAUBE | 4931495005 | 4058546486730 |
| 1105 12 | 1 | SCHEIBE | 4931495006 | 4058546486747 |
| 1106 13 | 1 | STELLELEMENT | 4931495007 | 4058546486754 |
| 1107 14 | 1 | DECKEL, Kunststoff PVC | 4931495008 | 4058546486761 |
| 1108 15 | 8 | SCHRAUBE | 4931495009 | 4058546486778 |
| 1109 16 | 1 | STAUBFUEHRUNG | 4931495010 | 4058546486785 |
| 1110 17 | 1 | STAUBFUEHRUNG | 4931495011 | 4058546486792 |
| 1113 18 | 1 | BACKE | 4931495012 | 4058546486808 |
| 1114 19 | 2 | FLUEGELMUTTER | 4931495013 | 4058546486815 |
| 1115 20 | 4 | SCHRAUBE | 4931495014 | 4058546486822 |
| 1117 21 | 1 | STAUBFUEHRUNG | 4931495015 | 4058546486839 |
| 1118 22 | 1 | KLEMME | 4931495016 | 4058546486846 |
| 1119 23 | 1 | GLEITPLATTE | 4931495017 | 4058546486853 |
| 1120 24 | 4 | SCHRAUBE | 4931495018 | 4058546486860 |
| 1121 25 | 1 | GRIFF | 4931495019 | 4058546486877 |
| 1122 26 | 2 | SCHRAUBE | 4931495020 | 4058546486884 |
| 1123 27 | 1 | HALTERUNG | 4931495021 | 4058546486891 |
| 1124 28 | 1 | SCHLUESSEL | 4931495022 | 4058546486907 |
| 1125 29 | 1 | EINSTELLKNOPF | 4931495023 | 4058546486914 |
| 1129 30 | 2 | SCHEIBE | 4931495024 | 4058546486921 |
| 1130 31 | 1 | MUTTER | 4931495025 | 4058546486938 |
| 1131 32 | 1 | DECKEL | 4931495026 | 4058546486945 |
| 1132 33 | 1 | SPLINT | 4931495027 | 4058546486952 |
| 1133 34 | 1 | SKALA | 4931495028 | 4058546486969 |
| 1134 35 | 9 | SCHRAUBE | 4931495029 | 4058546486976 |
| 1135 36 | 2 | SCHRAUBE | 4931495030 | 4058546486983 |
| 1136 37 | 2 | SCHEIBE | 4931495031 | 4058546486990 |
| 1137 38 | 2 | PLATTE | 4931495032 | 4058546487003 |
| 1138 39 | 1 | O-RING | 4931495033 | 4058546487010 |
| 1139 40 | 1 | ANSCHLAG | 4931495034 | 4058546487027 |
| 1140 41 | 4 | FILZSCHEIBE | 4931495035 | 4058546487034 |
| 1145 42 | 3 | SICHERUNGSRING | 4931495036 | 4058546487041 |
| 1146 43 | 2 | SCHEIBE | 4931495037 | 4058546487058 |
| 1147 44 | 1 | EINSTELLKNOPF | 4931495038 | 4058546487065 |
| 1148 45 | 1 | EINSTELLKNOPF | 4931495039 | 4058546487072 |
| 1149 46 | 1 | HALTEPLATTE | 4931495040 | 4058546487089 |
| 1150 47 | 1 | FEDER | 4931495041 | 4058546487096 |
| 1151 48 | 1 | SCHAFT | 4931495042 | 4058546487102 |
| 1152 49 | 1 | EINSTELLKNOPF | 4931495043 | 4058546487119 |
| 1153 50 | 1 | FEDER | 4931495044 | 4058546487126 |

| Position | Quantity | Description | Part number | EAN |
|----------|----------|----------------|-------------|---------------|
| 1154 51 | 1 | ANZEIGER | 4931495045 | 4058546487133 |
| 1155 52 | 1 | ANZEIGER | 4931495046 | 4058546487140 |
| 1156 53 | 2 | SICHERUNGSRING | 4931495047 | 4058546487157 |
| 1157 54 | 2 | SCHEIBE | 4931495048 | 4058546487164 |
| 1158 55 | 2 | SCHEIBE | 4931495049 | 4058546487171 |
| 1160 56 | 1 | FEDER | 4931495050 | 4058546487188 |
| 1161 57 | 2 | RIEGEL | 4931495051 | 4058546487195 |
| 1162 58 | 4 | SICHERUNGSRING | 4931495052 | 4058546487201 |
| 1163 59 | 2 | STIFT | 4931495053 | 4058546487218 |
| 1164 60 | 2 | SCHRAUBE | 4931495054 | 4058546487225 |
| 1165 61 | 2 | ABZIEHER | 4931495055 | 4058546487232 |
| 1166 62 | 2 | KNOPF | 4931495056 | 4058546487249 |
| 1167 63 | 1 | KLEMME | 4931495057 | 4058546487256 |
| 1168 64 | 1 | MITNEHMER | 4931495058 | 4058546487263 |
| 1169 65 | 1 | MUTTER | 4931495059 | 4058546487270 |
| 1170 66 | 1 | SCHEIBE | 4931495060 | 4058546487287 |
| 1171 67 | 1 | AUFNAHME | 4931495061 | 4058546487294 |
| 1174 68 | 2 | SCHRAUBE | 4931495062 | 4058546487300 |
| 1176 69 | 1 | STIFT | 4931495063 | 4058546487317 |
| 1181 70 | 3 | SCHEIBE | 4931495064 | 4058546487324 |
| 1183 71 | 1 | SCHRAUBE | 4931495065 | 4058546487331 |
| 1184 72 | 1 | STIFT | 4931495066 | 4058546487348 |
| 1186 73 | 1 | SCHEIBE | 4931495067 | 4058546487355 |
| 1187 74 | 1 | MUTTER | 4931495068 | 4058546487362 |
| 1190 75 | 1 | STIFT | 4931495069 | 4058546487379 |
| 1191 76 | 1 | KLEMME | 4931495070 | 4058546487386 |
| 1192 77 | 1 | FEDER | 4931495071 | 4058546487393 |
| 1193 78 | 1 | HALTERUNG | 4931495072 | 4058546487409 |
| 1194 79 | 1 | GRIFF | 4931495073 | 4058546487416 |
| 1195 80 | 1 | WELLE | 4931495074 | 4058546487423 |
| 1196 81 | 1 | FEDER | 4931495075 | 4058546487430 |
| 1197 82 | 1 | HEBEL | 4931495076 | 4058546487447 |
| 1198 83 | 1 | WELLE | 4931495077 | 4058546487454 |
| 1199 84 | 1 | GRIFF | 4931495078 | 4058546487461 |
| 1201 85 | 1 | FEDER | 4931495079 | 4058546487478 |
| 1202 86 | 1 | SCHRAUBE | 4931495080 | 4058546487485 |
| 1203 87 | 1 | DECKEL | 4931495081 | 4058546487492 |
| 1204 88 | 1 | MUTTER | 4931495082 | 4058546487508 |
| 1205 89 | 1 | SCHRAUBE | 4931495083 | 4058546487515 |
| 1206 90 | 1 | ANZEIGER | 4931495084 | 4058546487522 |
| 1207 91 | 1 | HALTERUNG | 4931495085 | 4058546487539 |
| 1208 92 | 2 | STIFT | 4931495086 | 4058546487546 |
| 1210 93 | 2 | MUTTER | 4931495087 | 4058546487553 |
| 1211 94 | 1 | SKALA | 4931495088 | 4058546487560 |
| 1212 95 | 1 | SCHRAUBE | 4931495089 | 4058546487577 |
| 1240 96 | 1 | HALTERUNG | 4931495090 | 4058546487584 |
| 1241 97 | 1 | BACKE | 4931495091 | 4058546487591 |
| 1242 98 | 1 | BACKE | 4931495092 | 4058546487607 |
| 1243 99 | 1 | EINSATZ | 4931495093 | 4058546487614 |
| 1245 100 | 1 | ZAPFEN | 4931495094 | 4058546487621 |

| Position | Quantity | Description | Part number | EAN |
|----------|----------|--------------------|-------------|---------------|
| 1246 101 | 1 | VERRIEGEL.-ELEMENT | 4931495095 | 4058546487638 |
| 1247 102 | 1 | SEITENTEIL | 4931495096 | 4058546487645 |
| 1248 103 | 1 | SEITENTEIL | 4931495097 | 4058546487652 |
| 2001 104 | 1 | STIFT | 4931495098 | 4058546487669 |
| 2002 105 | 1 | FEDER | 4931495099 | 4058546487676 |
| 2003 106 | 1 | HUELSE | 4931495100 | 4058546487683 |
| 2004 107 | 1 | SCHEIBE | 4931495101 | 4058546487690 |
| 2005 108 | 1 | SCHEIBE | 4931495102 | 4058546487706 |
| 2006 109 | 1 | SCHEIBE | 4931495103 | 4058546487713 |
| 2007 110 | 1 | SCHRAUBE | 4931495104 | 4058546487720 |
| 2019 111 | 1 | SCHRAUBE | 4931495105 | 4058546487737 |
| 2020 112 | 1 | FLANSCH | 4931495106 | 4058546487744 |
| 2021 113 | 1 | SAEGERBLATT | 4931495107 | 4058546487751 |
| 2023 114 | 2 | SCHRAUBE | 4931495108 | 4058546487768 |
| 2031 115 | 1 | GUMMIPUFFER | 4931495109 | 4058546487775 |
| 2032 116 | 1 | DICHTUNG | 4931495110 | 4058546487782 |
| 2044 117 | 4 | SCHRAUBE | 4931495111 | 4058546487799 |
| 2046 118 | 1 | FEDER | 4931495112 | 4058546487805 |
| 2047 119 | 1 | SCHUTZ | 4931495113 | 4058546487812 |
| 2049 120 | 1 | GUMMIPUFFER | 4931495114 | 4058546487829 |
| 2050 121 | 1 | LINSE | 4931495115 | 4058546487836 |
| 2051 122 | 1 | SCHEIBE | 4931495116 | 4058546487843 |
| 2052 123 | 1 | ABDECKUNG | 4931495117 | 4058546487850 |
| 2053 124 | 1 | LED LICHT | 4931495118 | 4058546487867 |
| 2054 125 | 1 | DECKEL | 4931495119 | 4058546487874 |
| 2056 126 | 2 | SCHRAUBE | 4931495120 | 4058546487881 |
| 2057 127 | 1 | FEDER | 4931495121 | 4058546487898 |
| 2058 128 | 1 | STIFT | 4931495122 | 4058546487904 |
| 2059 129 | 1 | DECKEL | 4931495123 | 4058546487911 |
| 2061 130 | 2 | SCHRAUBE | 4931495124 | 4058546487928 |
| 2063 131 | 1 | SCHRAUBE | 4931495125 | 4058546487935 |
| 2066 132 | 1 | KNOPF | 4931495126 | 4058546487942 |
| 2067 133 | 1 | MUTTER | 4931495127 | 4058546487959 |
| 2070 134 | 1 | HUELSE | 4931495128 | 4058546487966 |
| 2074 135 | 3 | SCHRAUBE | 4931495129 | 4058546487973 |
| 2075 136 | 1 | ELEKTRISCHES KABEL | 4931495130 | 4058546487980 |
| 2076 137 | 4 | SCHRAUBE | 4931495131 | 4058546487997 |
| 2077 138 | 6 | SCHRAUBE | 4931495132 | 4058546488000 |
| 2078 139 | 1 | VERSCHLUSSKAPPE | 4931495133 | 4058546488017 |
| 2081 140 | 2 | KOHLEBUERSTE | 4931495134 | 4058546488024 |
| 2082 141 | 2 | DECKEL | 4931495135 | 4058546488031 |
| 2083 142 | 1 | KABELKLEMME | 4931495136 | 4058546488048 |
| 2084 143 | 1 | KNICKSCHUTZ | 4931495137 | 4058546488055 |
| 2085 144 | 1 | KLEMME | 4931495138 | 4058546488062 |
| 2086 145 | 2 | SCHRAUBE | 4931495139 | 4058546488079 |
| 2087 146 | 1 | ABDECKUNG | 4931495140 | 4058546488086 |
| 2088 147 | 1 | LEITUNG | 4931495141 | 4058546488093 |
| 2090 148 | 1 | GRIFF | 4931495142 | 4058546488109 |
| 2091 149 | 1 | SCHALTER | 4931495143 | 4058546488116 |
| 2097 150 | 1 | SCHALTER | 4931495144 | 4058546488123 |

| Position | Quantity | Description | Part number | EAN |
|----------|----------|----------------------|-------------------------------|---------------|
| 2098 151 | 1 | LEITUNG | 4931495145 | 4058546488130 |
| 2215 152 | 1 | FELD F. ELEKTROMOTOR | 4931495146 | 4058546488147 |
| 2217 153 | 1 | GUMMIPUFFER | 4931495147 | 4058546488154 |
| 2218 154 | 2 | SCHRAUBE | 4931495148 | 4058546488161 |
| 2232 155 | 1 | STAUBSACK | 4931495149 | 4058546488178 |
| 2233 156 | 1 | SPANNBUEGEL | 4931495150 | 4058546488185 |
| 2234 157 | 1 | ANKER F.ELEKTROMOTOR | 4931495151 | 4058546488192 |
| 2235 158 | 1 | MOTORGEHAEUSE | 4931495152 | 4058546488208 |
| 2236 159 | 1 | HANDGRIFF-SET | 4931495153 | 4058546488215 |
| 2237 160 | 1 | GETRIEBESATZ | 4931495154 | 4058546488222 |
| 2238 161 | 1 | SCHUTZHAUBE | 4931495155 | 4058546488239 |
| 2239 162 | 1 | DRUECKER | 4931495156 | 4058546488246 |
| 2249 163 | 1 | GETRIEBEGEHAEUSE | 4931495157 | 4058546488253 |
| 2250 164 | 1 | ELEKTRONIK | 4931495158 | 4058546488260 |
| 2254 165 | 1 | WINKELANSCHLAG | Item discontinued(4931495159) | |