

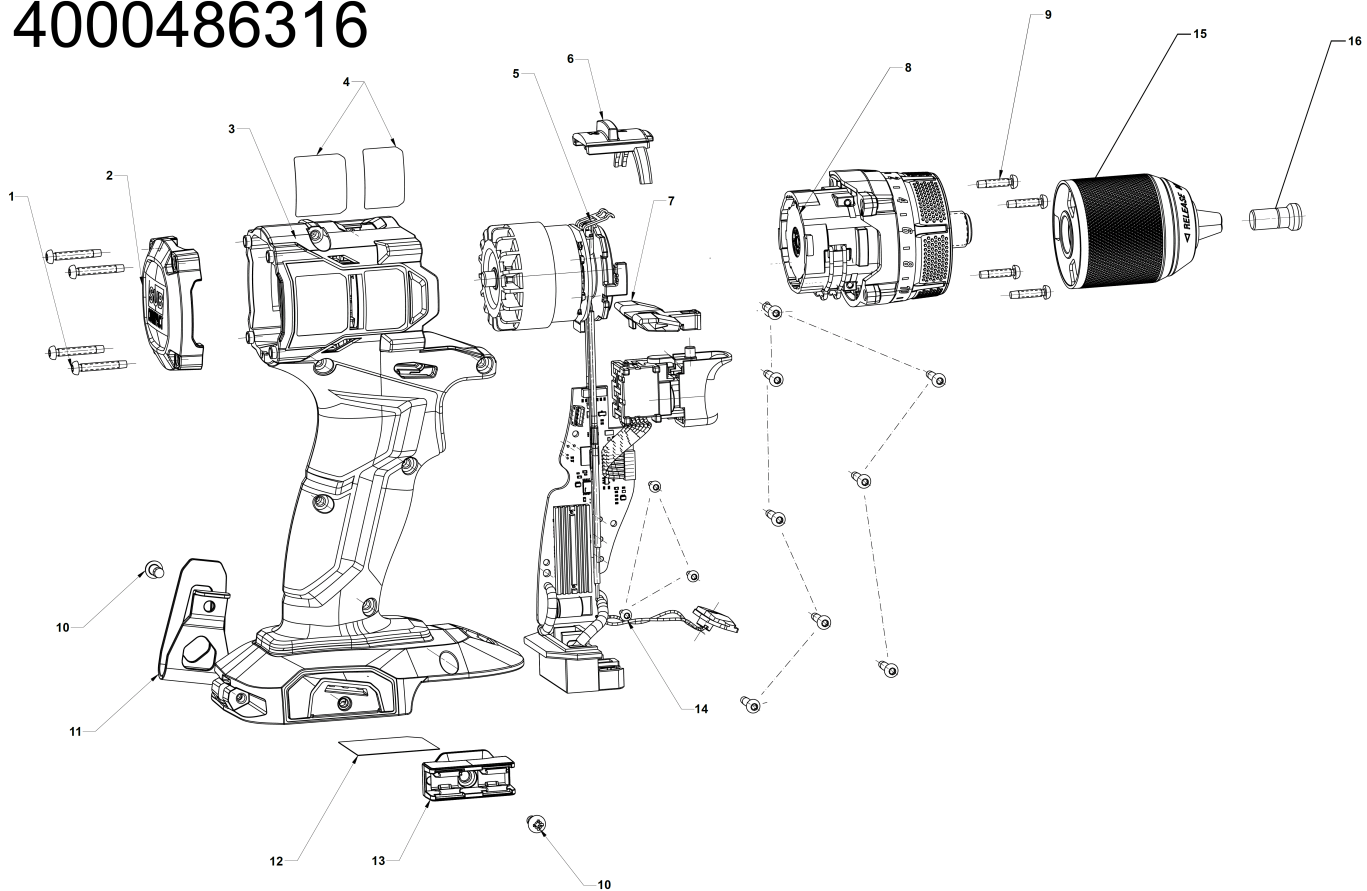
# **BS18SBL2-202C AKKU-SCHRAUBER IN2**

**4935480056 - BS18SBL2-202C - 4000486316**



# AEG

4000486316



| Position | Quantity | Description     | Part number | EAN           |
|----------|----------|-----------------|-------------|---------------|
| 1001 1   | 4        | SCHRAUBE        | 4931494661  | 4058546472337 |
| 1002 2   | 1        | KAPPE           | 4931495642  | 4058546493103 |
| 1003 3   | 1        | GEHAEUSE        | 4931495643  | 4058546493110 |
| 1004 4   | 1        | ETIKETT         | 4931495644  | 4058546493127 |
| 1005 5   | 1        | DC-MOTOR        | 4931495645  | 4058546493134 |
| 1006 6   | 1        | SCHIEBER        | 4931495646  | 4058546493141 |
| 1007 7   | 1        | DRUECKER        | 4931495647  | 4058546493158 |
| 1008 8   | 1        | GETRIEBEKASTEN  | 4931495648  | 4058546493165 |
| 1010 9   | 2        | SCHRAUBE        | 4931479534  | 4058546388492 |
| 1011 10  | 1        | KLAMMER         | 4931479535  | 4058546388508 |
| 1012 11  | 1        | LEISTUNGSSCHILD | 4931495649  | 4058546493172 |
| 1013 12  | 1        | BITHALTER       | 4931495650  | 4058546493189 |
| 1014 13  | 3        | SCHRAUBE        | 4931457928  | 4058546420574 |
| 1015 14  | 1        | BOHRFUTTER      | 4931495651  | 4058546493196 |
| 1016 15  | 1        | SCHRAUBE        | 4931479525  | 4058546388409 |