

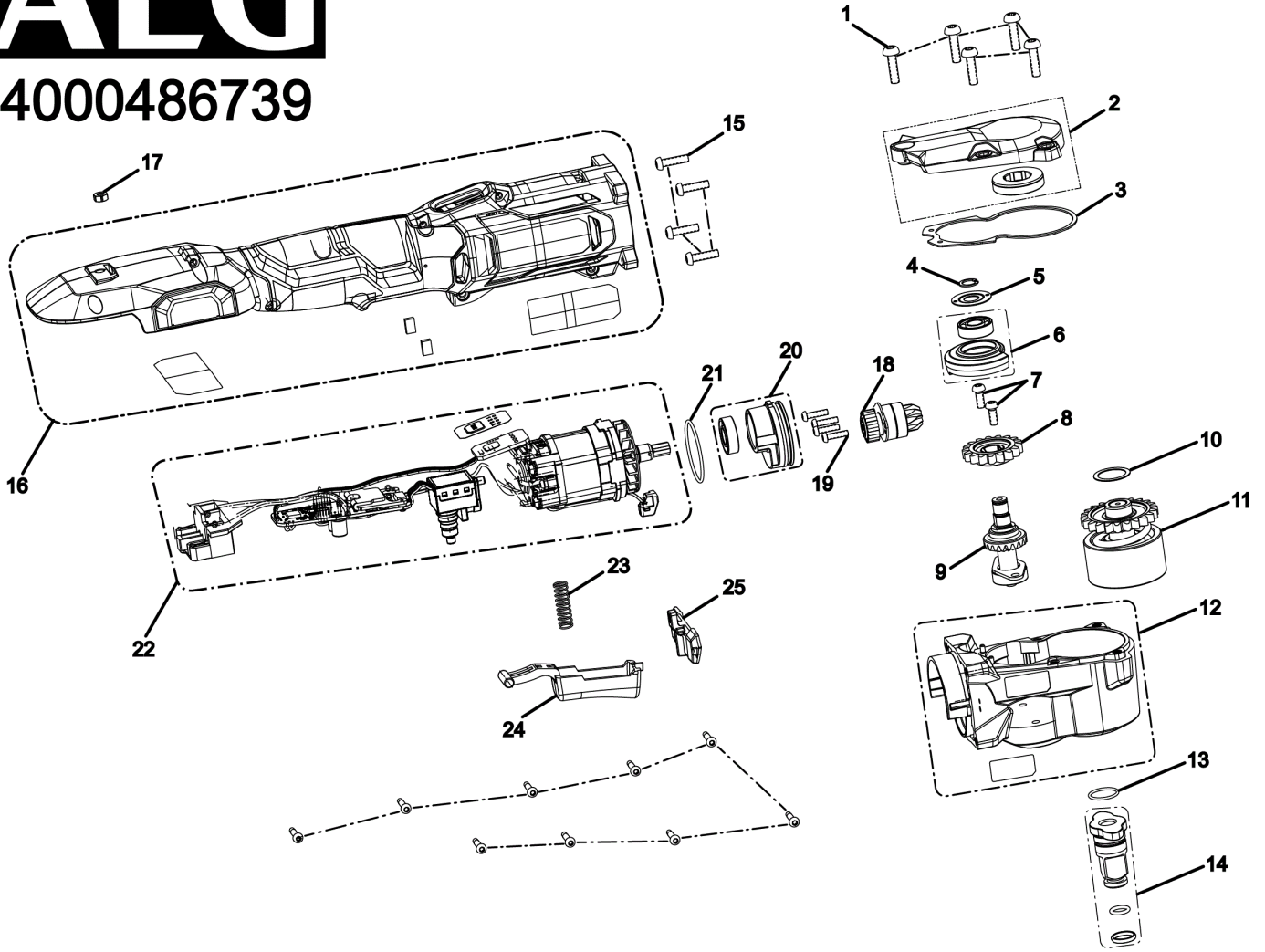
BSS18SRA12BL-0 AKKU- SCHLAGSCHRAUBER XXX

4935493430 - BSS18SRA12BL-0 - 4000486739



AEG

4000486739



| Position | Quantity | Description | Part number | EAN |
|----------|----------|-----------------|-------------|---------------|
| 1001 1 | 5 | SCHRAUBE | 4931495864 | 4058546495329 |
| 1002 2 | 1 | DECKEL | 4931495865 | 4058546495336 |
| 1003 3 | 1 | DICHTUNG | 4931495866 | 4058546495343 |
| 1004 4 | 1 | SICHERUNGSRING | 4931480506 | 4058546425210 |
| 1005 5 | 1 | SCHEIBE | 4931495867 | 4058546495350 |
| 1006 6 | 1 | BUECHSE | 4931495868 | 4058546495367 |
| 1007 7 | 2 | SCHRAUBE | 4931435649 | 4002395862931 |
| 1008 8 | 1 | RITZEL | 4931495869 | 4058546495374 |
| 1009 9 | 1 | RITZELWELLE | 4931495870 | 4058546495381 |
| 1010 10 | 1 | SCHEIBE | 4931495871 | 4058546495398 |
| 1011 11 | 1 | SCHLAGKOERPER | 4931495872 | 4058546495404 |
| 1012 12 | 1 | GETRIEBEGEHAUSE | 4931495873 | 4058546495411 |
| 1013 13 | 1 | O-RING | 4931473494 | 4058546353704 |
| 1014 14 | 1 | NOCKENWELLE | 4931495874 | 4058546495428 |
| 1015 15 | 4 | SCHRAUBE | 4931495875 | 4058546495435 |
| 1016 16 | 1 | GEHAUSE | 4931495876 | 4058546495442 |
| 1017 17 | 1 | MUTTER | 4931479029 | 4058546365974 |
| 1018 18 | 1 | RITZEL | 4931495877 | 4058546495459 |
| 1019 19 | 4 | SCHRAUBE | 4931495888 | 4058546492564 |
| 1020 20 | 1 | AUFNAHME | 4931495878 | 4058546495466 |
| 1021 21 | 1 | O-RING | 4931495879 | 4058546495473 |
| 1022 22 | 1 | DC-MOTOR | 4931495880 | 4058546495480 |
| 1023 23 | 1 | FEDER | 4931495881 | 4058546495497 |
| 1024 24 | 1 | DRUECKER | 4931495882 | 4058546495503 |
| 1025 25 | 1 | KNOPF | 4931495883 | 4058546495510 |