

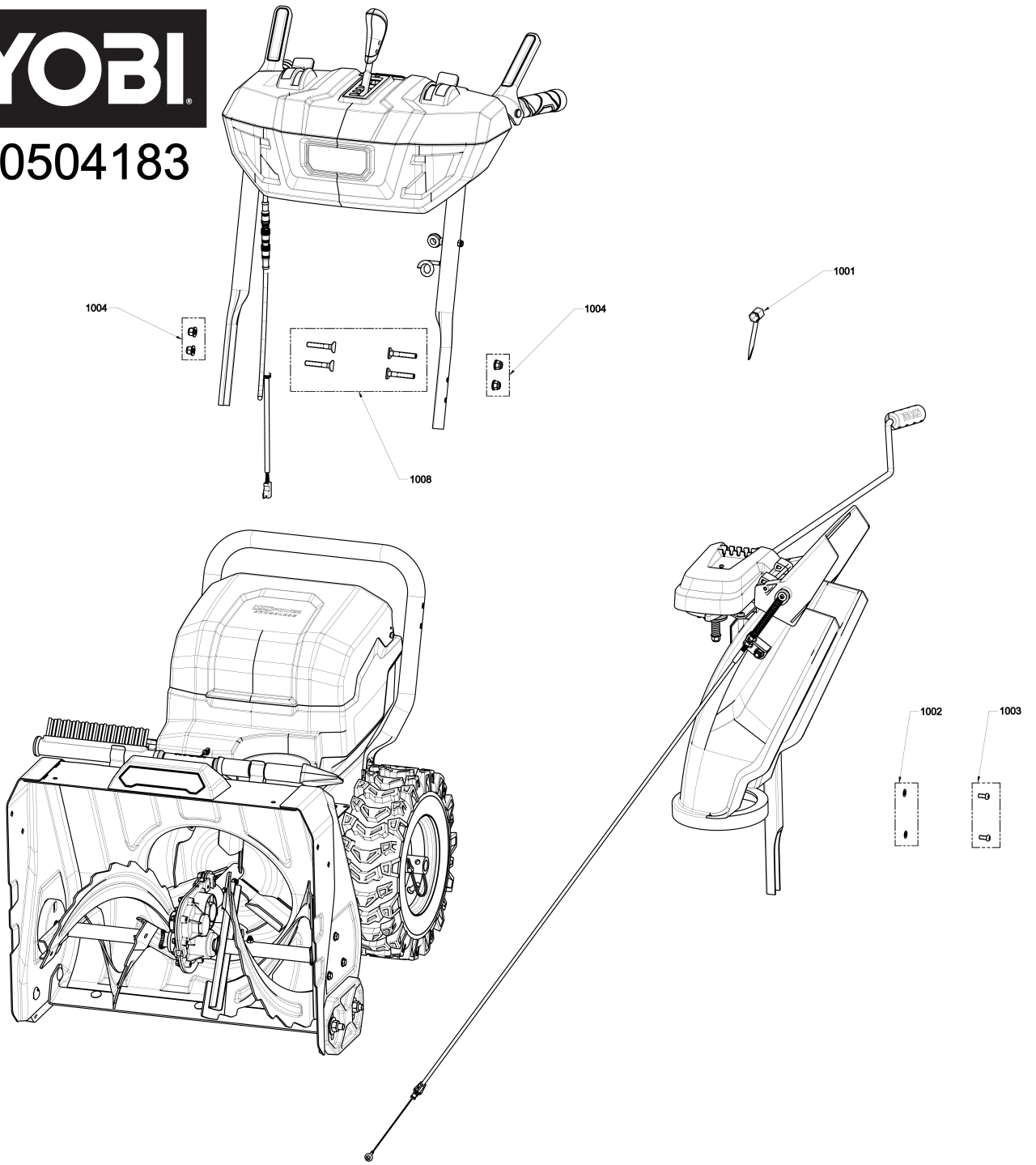
RY36STX56A-250 AKKU-SCHNEEFRAESE IN2

5133006516 - RY36STX56A-250 - 4000504183



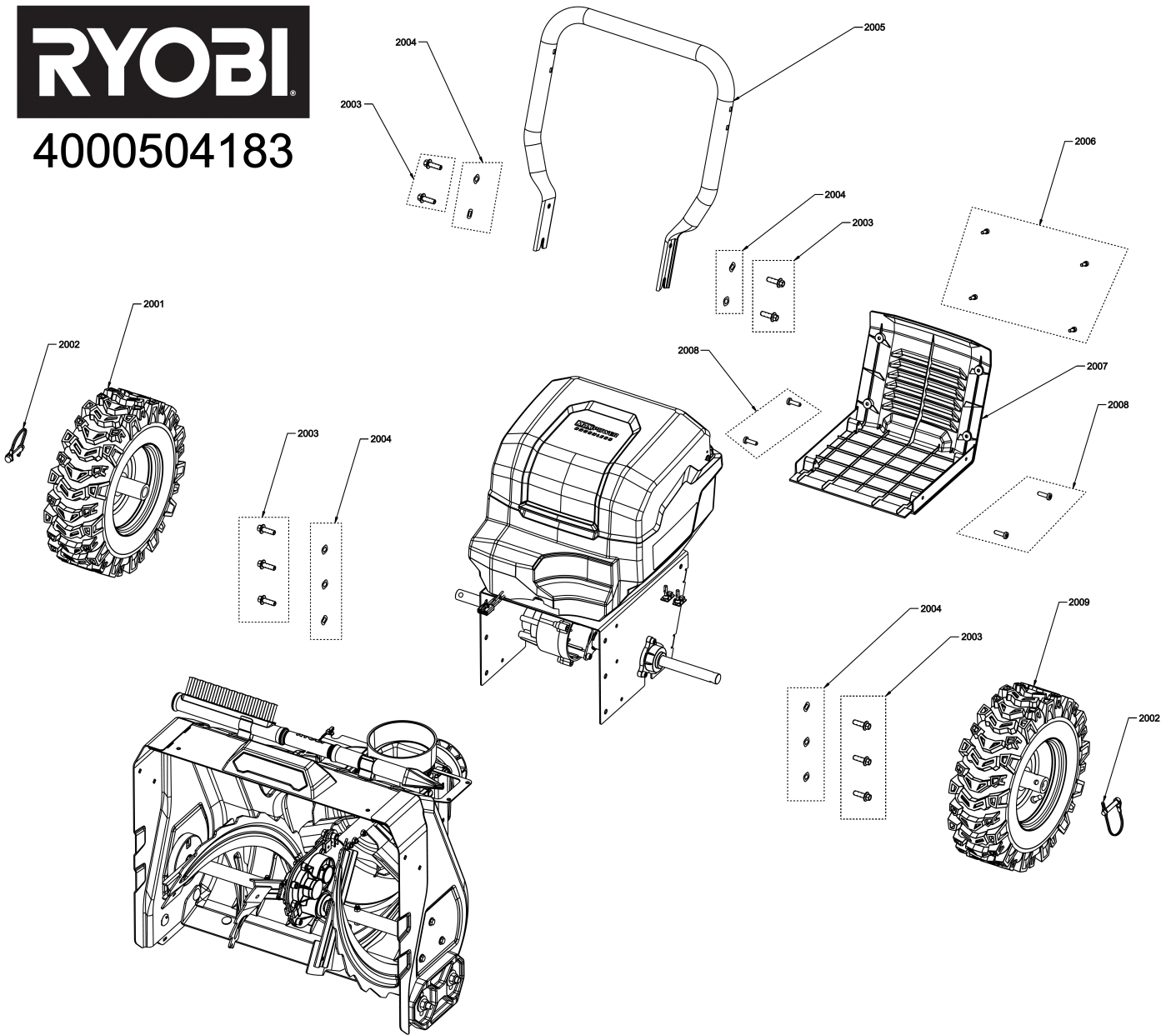
RYOBI

4000504183



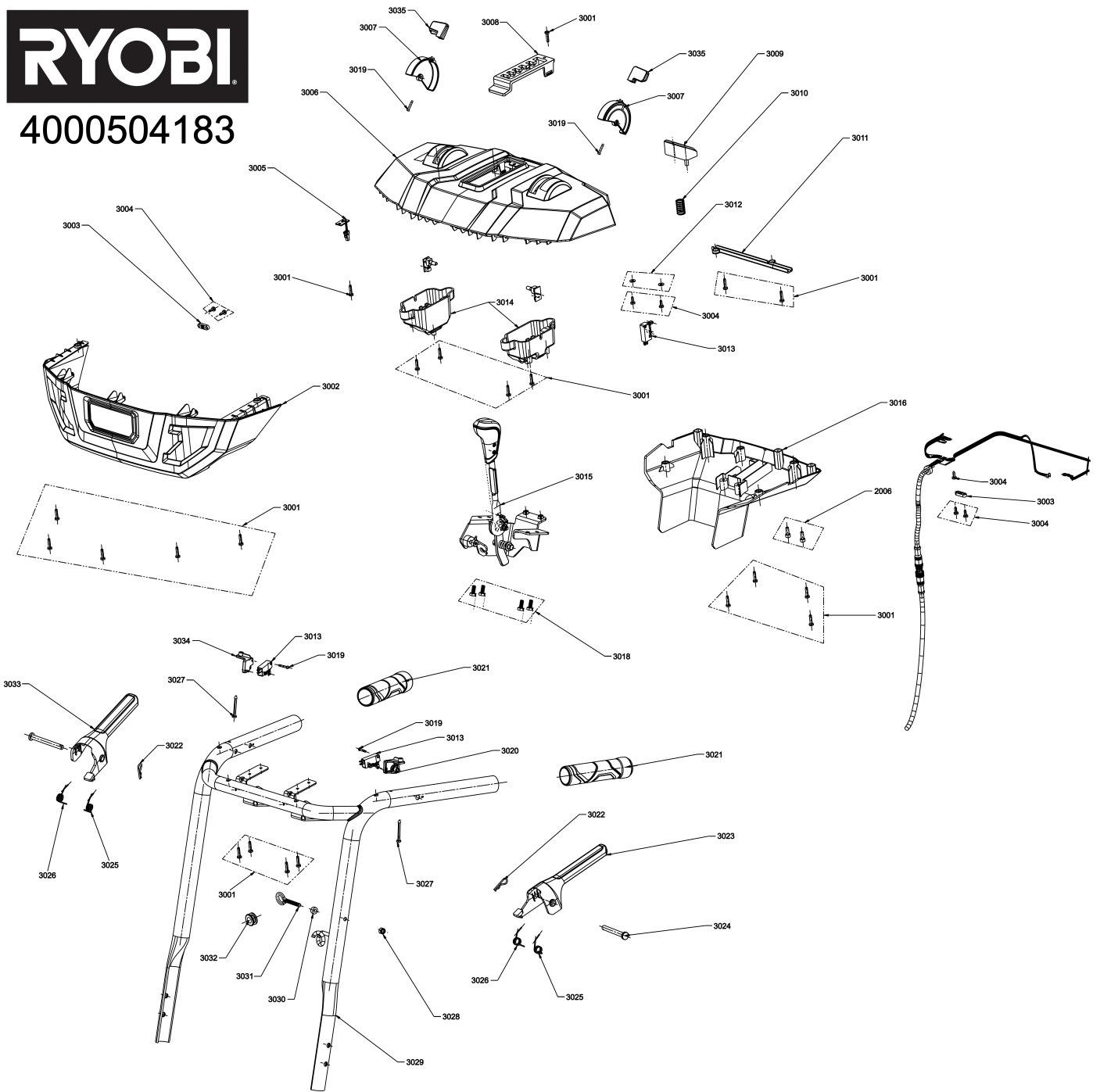
RYOBI

4000504183



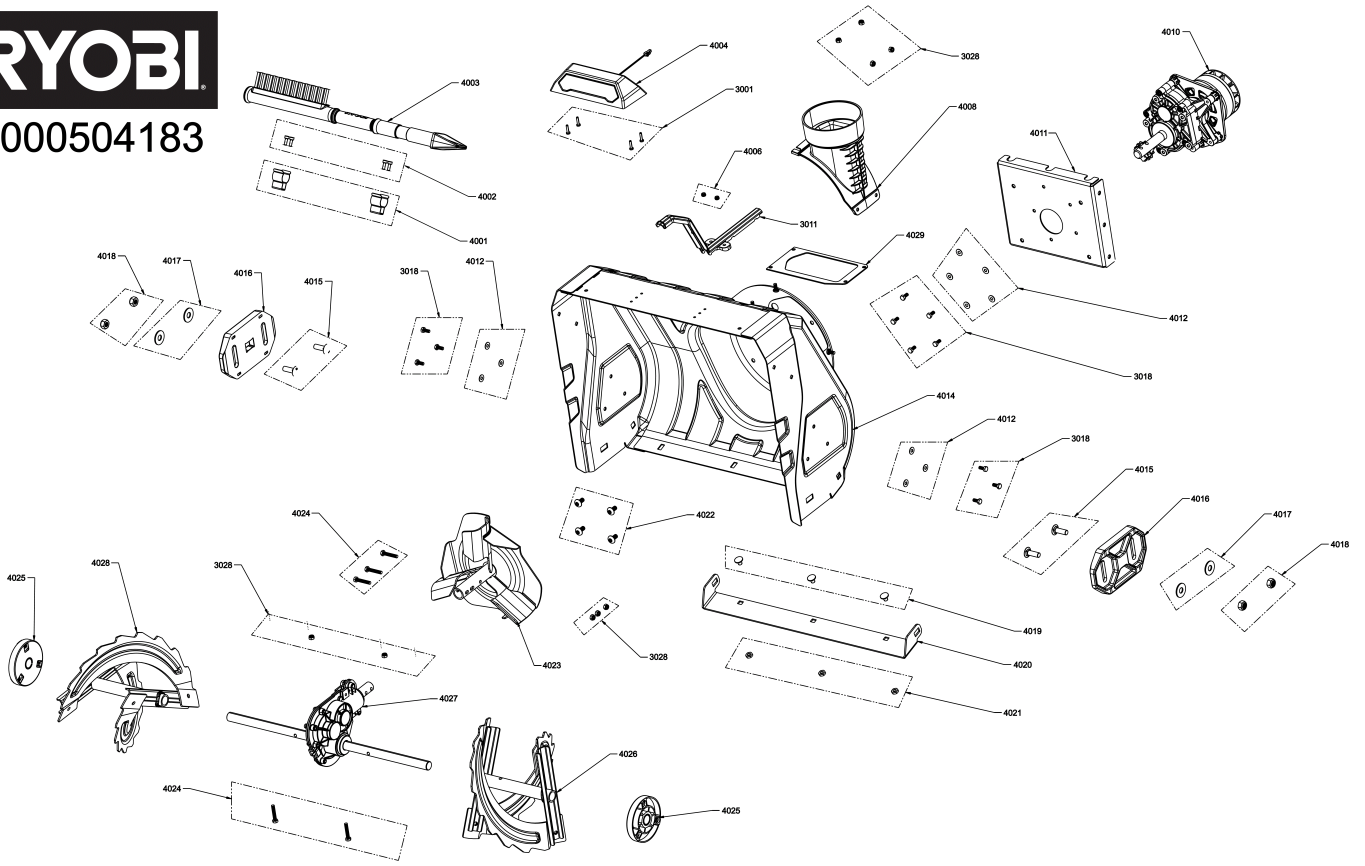
RYOBI

4000504183



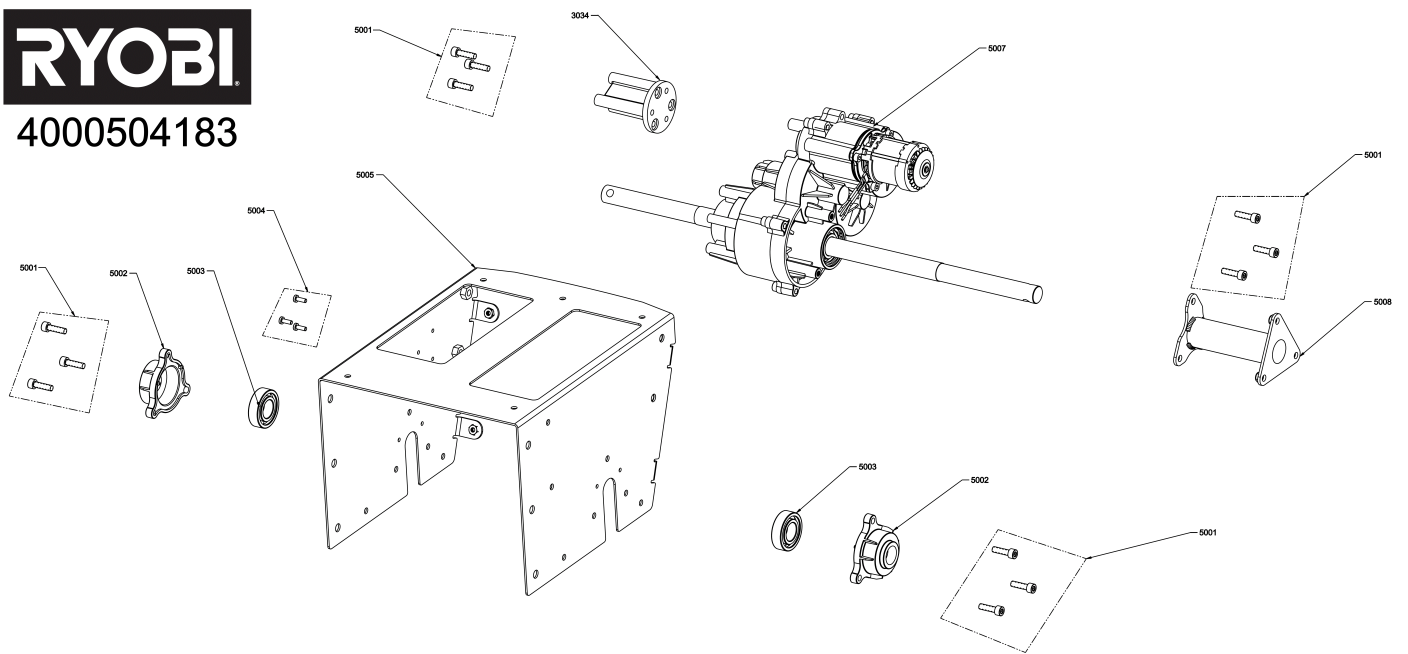
RYOBI

4000504183



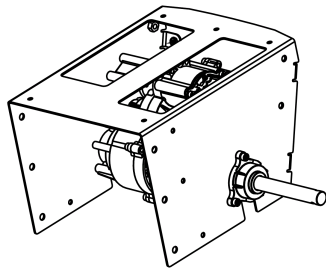
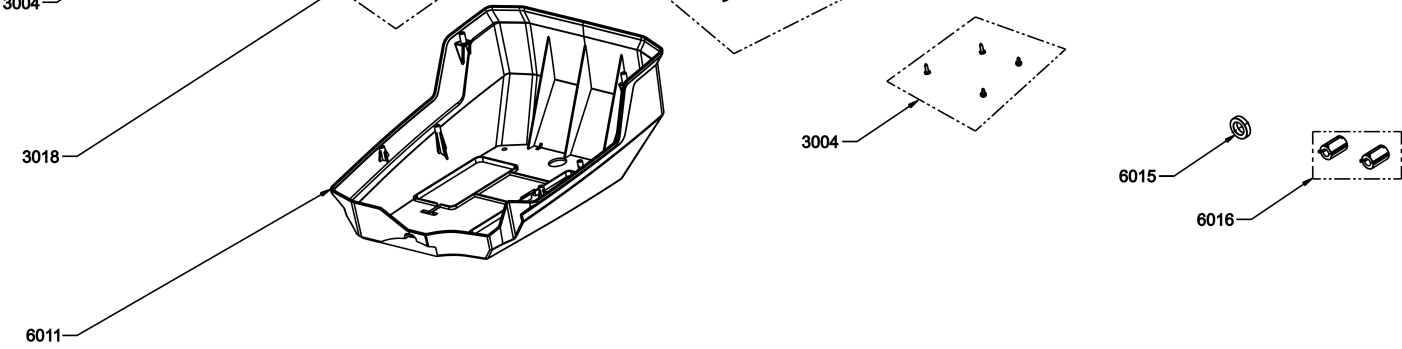
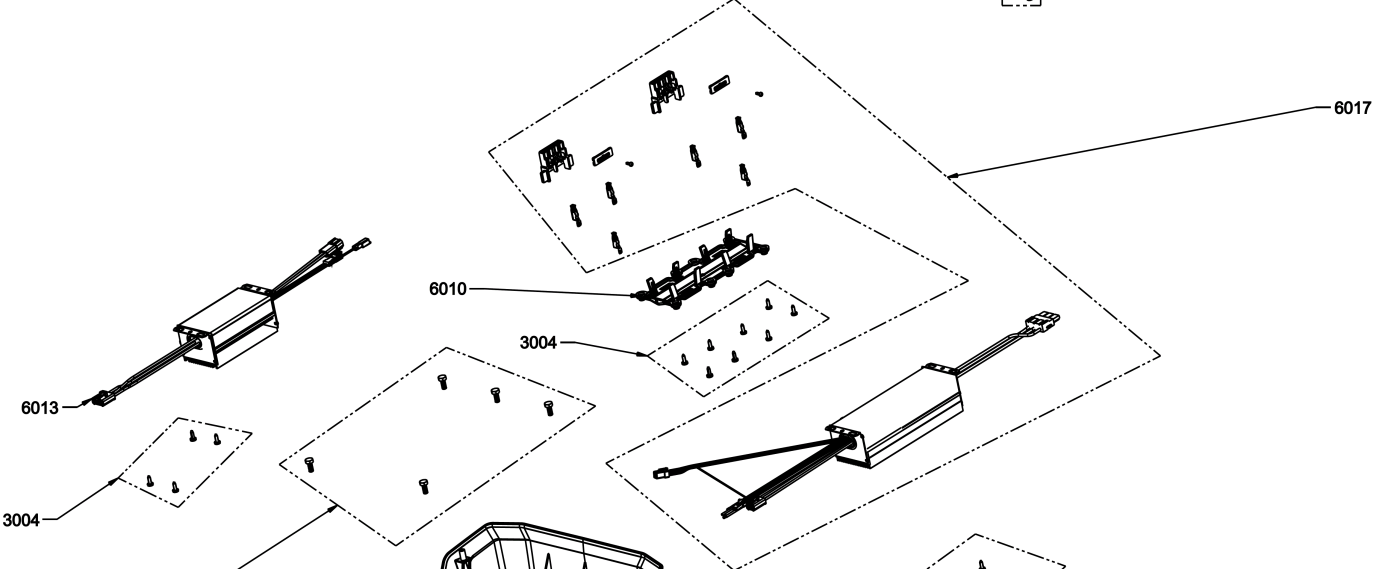
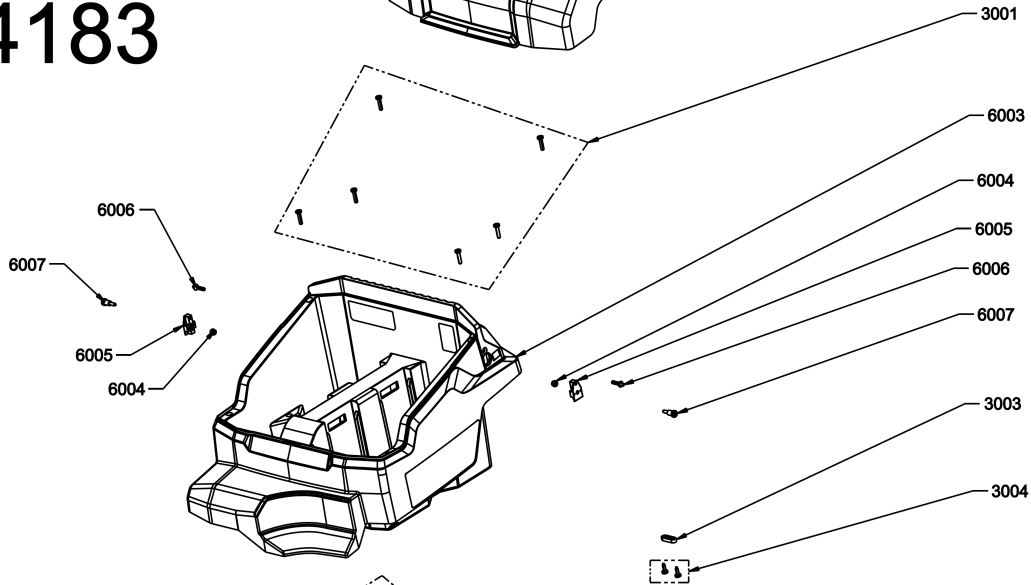
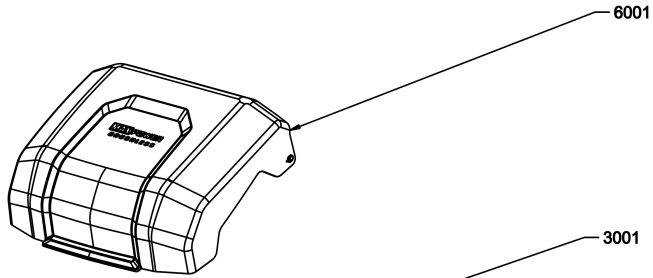
RYOBI

4000504183



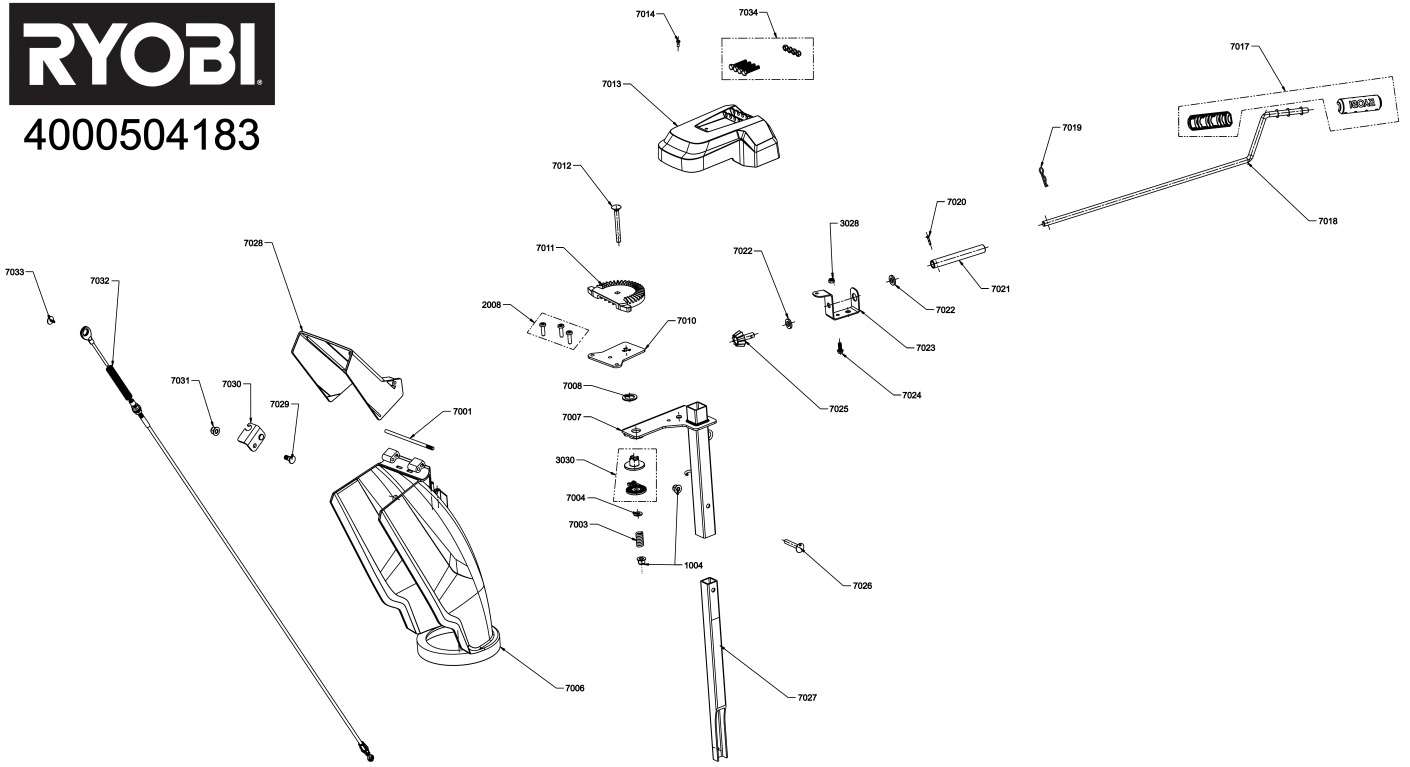


4000504183



RYOBI

4000504183



Position	Quantity	Description	Part number	EAN
1001 1	1	SCHLUESSEL	5131044017	4058546379537
1002 2	2	SCHEIBE	5131048644	4058546547738
1003 3	2	SCHRAUBE	5131048645	4058546547745
1004 4	6	MUTTER	5131048646	4058546547752
1008 5	4	SCHRAUBE	5131048647	4058546547769
2001 6	1	RAD	5131048648	4058546547776
2002 7	2	ARRETIERSTIFT	5131048649	4058546547783
2003 8	10	SCHRAUBE	5131048650	4058546547790
2004 9	10	SCHEIBE	5131048651	4058546547806
2005 10	1	BUEGEL	5131048652	4058546547813
2006 11	6	SCHRAUBE	5131048653	4058546547820
2007 12	1	DECKEL	5131048654	4058546547837
2008 13	7	SCHRAUBE	5131048655	4058546547844
2009 14	1	RAD	5131048656	4058546547851
3001 15	31	SCHRAUBE	5131047770	4058546504069
3002 16	1	DECKEL	5131048657	4058546547868
3003 17	3	FEDERKLEMME	5131035646	4058546150525
3004 18	7	SCHRAUBE	5131036253	4058546156244
3005 19	1	SCHALTER	5131048658	4058546547875
3006 20	1	DECKEL	5131048659	4058546547882
3007 21	2	EINSTELLBUEGEL	5131048660	4058546547899
3008 22	1	EINSTELLSEGMENT	5131048661	4058546547905
3009 23	1	DRUECKER	5131046417	4058546460495
3010 24	1	FEDER	5131046418	4058546460501
3011 25	1	KNICKSCHUTZ	5131048662	4058546547912
3012 26	2	SCHEIBE	5131035879	4058546152680
3013 27	3	SCHALTER	5131048663	4058546547929
3014 28	2	GEHAEUSE	5131048664	4058546547936
3015 29	1	EINSTELLSEGMENT	5131048665	4058546547943
3016 30	1	DECKEL	5131048666	4058546547950
3018 31	20	SCHRAUBE	5131048667	4058546547967
3019 32	4	SCHRAUBE	5131046788	4058546464202
3020 33	1	HALTER	5131048668	4058546547974
3021 34	2	GRIFFSTUECK	5131048669	4058546547981
3022 35	2	SPLINT	5131048670	4058546547998
3023 36	1	GRIFF LINKS	5131048671	4058546548001
3024 37	2	STIFT	5131048672	4058546548018
3025 38	2	FEDER	5131048673	4058546548025
3026 39	2	FEDER	5131048674	4058546548032
3027 40	2	SCHRAUBE	5131011576	4058546098506
3028 41	10	MUTTER	5131048675	4058546548049
3029 42	1	BUEGEL	5131048676	4058546548056
3030 43	1	DISTANZRING	5131048677	4058546548063
3031 44	1	FLUEGELSCHRAUBE	5131048678	4058546548070
3032 45	1	GUMMIMUFFE	5131048679	4058546548087
3033 46	1	GRIFF RECHTS	5131048680	4058546548094
3034 47	1	STUETZTRAEGER	5131048681	4058546548100
3035 48	2	GRIFF	5131048682	4058546548117
4001 49	2	HALTERUNG	5131046498	4058546461300
4002 50	4	SCHRAUBE	5131018591	4058546107208

Position	Quantity	Description	Part number	EAN
4003 51	1	REINIGUNGSBUERSTE	5131048683	4058546548124
4004 52	1	LED LICHT	5131048684	4058546548131
4006 53	2	MUTTER	5131011661	4058546067267
4008 54	1	SEITENAUSWURF	5131048685	4058546548148
4010 55	1	GETRIEBE	5131048686	4058546548155
4011 56	1	ABSTUETZBLECH	5131048687	4058546548162
4012 57	11	SCHEIBE	5131048688	4058546548179
4014 58	1	GRUNDKOERPER	5131048689	4058546548186
4015 59	4	SCHRAUBE	5131048690	4058546548193
4016 60	2	GLEITPLATTE	5131046492	4058546461249
4017 61	4	SCHEIBE	5131048691	4058546548209
4018 62	4	MUTTER	5131048692	4058546548216
4019 63	3	SCHRAUBE	5131046494	4058546461263
4020 64	1	FUEHRUNGSSCHIENE	5131048693	4058546548223
4021 65	3	SCHEIBE	5131043569	4058546267834
4022 66	4	SCHRAUBE	5131046486	4058546461188
4023 67	1	SCHAUFELRAD	5131048694	4058546548230
4024 68	5	SCHRAUBE	5131047957	4058546505936
4025 69	2	BUECHSE	5131046504	4058546461362
4026 70	1	SCHAUFELRAD	5131048695	4058546548247
4027 71	1	GETRIEBE	5131048696	4058546548254
4028 72	1	SCHAUFELRAD	5131048697	4058546548261
4029 73	1	DICHTUNG	5131048698	4058546548278
5001 74	12	SCHRAUBE	5131048699	4058546548285
5002 75	2	DECKEL	5131048700	4058546548292
5003 76	2	LAGER	5131048701	4058546548308
5004 77	3	SCHRAUBE	Item discontinued(5131011543)	
5005 78	1	SPANNBLECHGEHAEUSE	5131048702	4058546548315
5007 79	1	GETRIEBE	5131048703	4058546548322
5008 80	1	HALTEBUEGEL	5131048704	4058546548339
6001 81	1	DECKEL	5131048705	4058546548346
6003 82	1	BATTERIEGEHAEUSE	5131048706	4058546548353
6004 83	2	MUTTER	5131048707	4058546548360
6005 84	1	BEFESTIGUNGSTEIL	5131048708	4058546548377
6006 85	2	SCHRAUBE	5131040190	4058546052522
6007 86	2	SCHRAUBE	5131048709	4058546548384
6010 87	1	KABELHAKEN	5131048710	4058546548391
6011 88	1	GRUNDKOERPER	5131048711	4058546548407
6013 89	1	ELEKTRONIK	5131048712	4058546548414
6015 90	1	FERRITKERN	5131043742	4058546351021
6016 91	2	FERRITKERN	5131046770	4058546464028
6017 92	1	ELEKTRONIK	5131048713	4058546548421
7001 93	1	STIFT	5131048714	4058546548438
7003 94	1	FEDER	5131048715	4058546548445
7004 95	1	SCHEIBE	5131045425	4058546430177
7006 96	1	SEITENAUSWURF	5131048716	4058546548452
7007 97	1	HALTERUNG	5131048717	4058546548469
7008 98	1	SCHEIBE	5131048718	4058546548476
7010 99	1	HALTEBUEGEL	5131048719	4058546548483
7011 100	1	KEGELRAD	5131048720	4058546548490

Position	Quantity	Description	Part number	EAN
7012 101	1	SCHRAUBE	5131048721	4058546548506
7013 102	1	DECKEL	5131048722	4058546548513
7014 103	1	SCHRAUBE	Item discontinued(5131011528)	
7017 104	1	GRIFF	5131048723	4058546548520
7018 105	1	ARRETIERSTANGE	5131048724	4058546548537
7019 106	1	SICHERUNGSRING	5131048725	4058546548544
7020 107	1	SCHRAUBE	5131048726	4058546548551
7021 108	1	STIFT	5131048727	4058546548568
7022 109	2	SCHEIBE	5131048728	4058546548575
7023 110	1	TRAEGER	5131048729	4058546548582
7024 111	1	SCHRAUBE	5131048730	4058546548599
7025 112	1	KEGELRAD	5131048731	4058546548605
7026 113	1	SCHRAUBE	5131048732	4058546548612
7027 114	1	TRAEGER	5131048733	4058546548629
7028 115	1	SEITENAUSWURF	5131048734	4058546548636
7029 116	1	SCHRAUBE	5131048735	4058546548643
7030 117	1	TRAEGER	5131048736	4058546548650
7031 118	1	MUTTER	5131033521	4002395147038
7032 119	1	BOWDENZUG	5131048737	4058546548667
7033 120	1	SCHRAUBE	5131048738	4058546548674