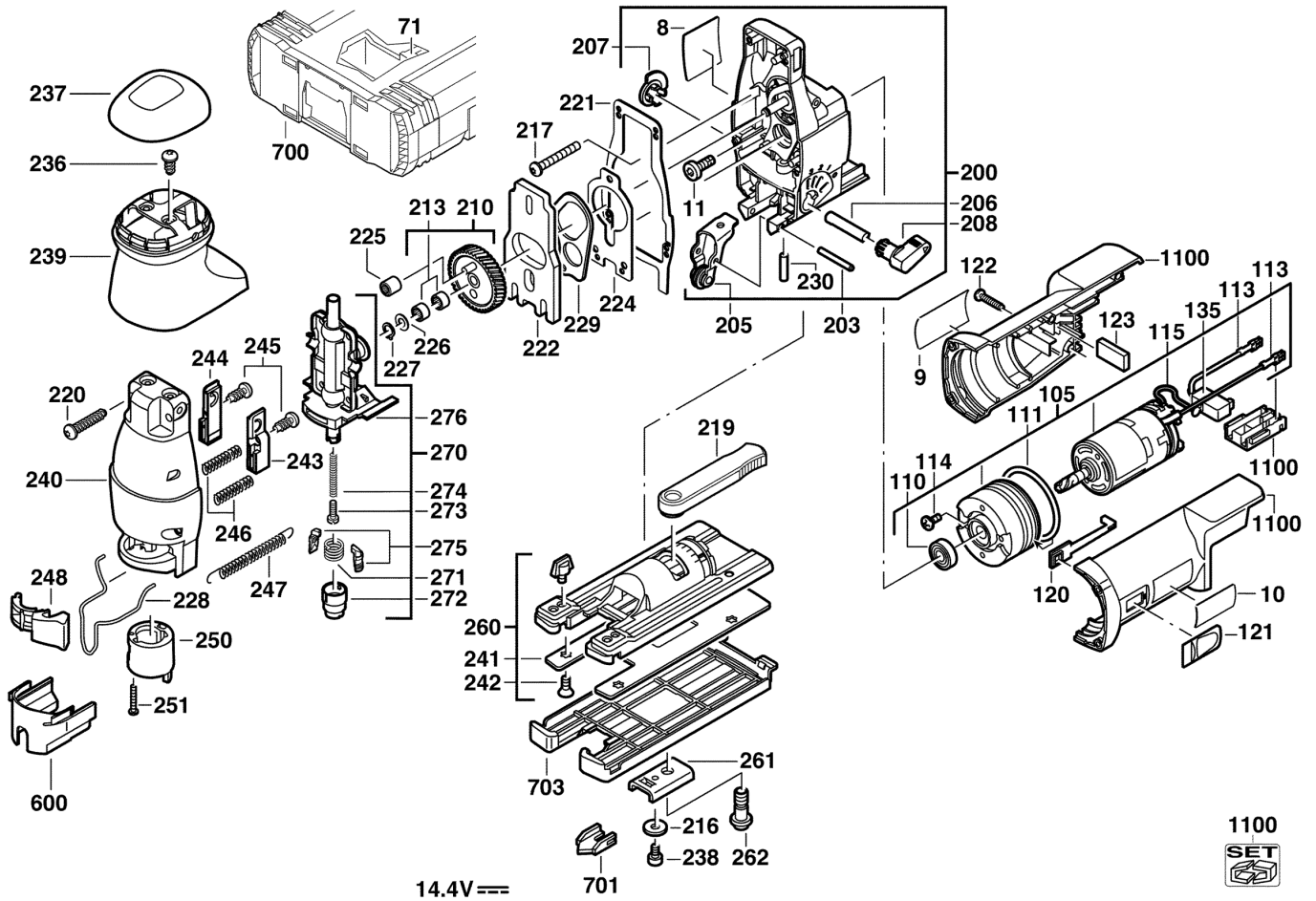


SCIE SAUT 14V PJX 14.4 PP

4933381241 - PJX14.4PP - 4000381242





| Position | Quantity | Description | Part number | EAN |
|----------|----------|----------------------------|-------------------------------|---------------|
| 0009 1 | 1 | LEISTUNGSSCHILD | Item discontinued(4931381247) | |
| 0010 2 | 1 | FIRMENSCHILD | 4931382710 | 4002395692095 |
| 0011 3 | 4 | SCHRAUBE | 4931317532 | 4002395600175 |
| 0071 4 | 1 | EINSATZ | Item discontinued(4931390412) | |
| 0105 5 | 1 | ANTRIEB | Item discontinued(4931381234) | |
| 0110 6 | 1 | KUGELLAGER | 4931621829 | 4002395696147 |
| 0111 7 | 1 | O-RING | 4931623562 | 4002395702862 |
| 0113 8 | 2 | LEITUNG | 4931623536 | 4002395702725 |
| 0114 9 | 2 | SCHRAUBE | 4931621528 | 4002395695522 |
| 0115 10 | 1 | LEITUNG | Item discontinued(4931623535) | |
| 0120 11 | 1 | SCHIEBER | 4931349559 | 4002395638840 |
| 0121 12 | 1 | SCHALTERKAPPE | 4931358872 | 4002395652778 |
| 0122 13 | 3 | SCHRAUBE | 4931622708 | 4002395698899 |
| 0123 14 | 1 | STUETZE | 4931368224 | 4002395671298 |
| 0135 15 | 1 | SCHALTER | 4931349564 | 4002395638888 |
| 0200 16 | 1 | GETRIEBEKASTEN | Item discontinued(4931381239) | |
| 0203 17 | 1 | SPANNSTIFT | 4931621942 | 4002395696307 |
| 0205 18 | 1 | STUETZROLLENHALTER VOLLST | 4931468106 | 4058546268923 |
| 0206 19 | 1 | SCHALTBOLZEN | 4931381103 | 4002395709397 |
| 0207 20 | 1 | ABDECKUNG | Item discontinued(4931381225) | |
| 0208 21 | 1 | SCHALTGRIFF | 4931378812 | 4002395684762 |
| 0210 22 | 1 | ZAHNRAD | 4931357515 | 4002395649549 |
| 0213 23 | 2 | NADELLAGER | 4931219422 | 4002395583867 |
| 0216 24 | 1 | SCHEIBE | 4931622131 | 4002395696857 |
| 0217 25 | 4 | SCHRAUBE | Item discontinued(4931623019) | |
| 0219 26 | 1 | SPANNHEBEL | 4931381610 | 4002395737079 |
| 0220 27 | 4 | SCHRAUBE | 4931623020 | 4002395700073 |
| 0221 28 | 1 | Dichtung | 4931381656 | 4002395746538 |
| 0222 29 | 1 | AUSGLEICHSMASSE | 4931381109 | 4002395709403 |
| 0224 30 | 1 | UNTERLEGBLECH | 4931357577 | 4002395649730 |
| 0225 31 | 1 | NADELHUELSE | 4931361376 | 4002395657766 |
| 0226 32 | 1 | SCHEIBE | 4931621830 | 4002395696154 |
| 0227 33 | 1 | SICHERUNGSRING | 4931605092 | 4002395693580 |
| 0228 34 | 1 | DRAHTBUEGEL | 4931357982 | 4002395711079 |
| 0229 35 | 1 | SCHWINGE | 4931357522 | 4002395649563 |
| 0230 36 | 1 | ZYLINDERSTIFT | 4931381112 | 4002395711062 |
| 0236 37 | 2 | SCHRAUBE | 4931623048 | 4002395700189 |
| 0237 38 | 1 | KNAUFDECKEL | 4931330272 | 4002395611638 |
| 0238 39 | 1 | SCHRAUBE | 4931300699 | 4002395591060 |
| 0239 40 | 1 | KNAUFGRIF | 4931330271 | 4002395611621 |
| 0240 41 | 1 | GETRIEBEBECKEL BEARB MI-GR | 4931426460 | 4002395844777 |
| 0241 42 | 1 | GLEITBLECH | 4931412827 | 4002395794058 |
| 0241 43 | 1 | BODENPLATTE | 4931412827 | 4002395794058 |
| 0242 44 | 4 | SCHRAUBE | 4931310396 | 4002395721542 |
| 0243 45 | 1 | LAGERHALTER LINKS | 4931357986 | 4002395715848 |
| 0244 46 | 1 | LAGERHALTER RECHTS | 4931357985 | 4002395715831 |
| 0246 47 | 2 | DRUCKFEDER | 4931341759 | 4002395627066 |
| 0247 48 | 1 | ZUGFEDER | 4931330453 | 4002395611997 |
| 0248 49 | 1 | SCHALTHEBEL | 4931381159 | 4002395713448 |
| 0250 50 | 1 | SCHALTHUELSE | 4931381158 | 4002395713431 |

| Position | Quantity | Description | Part number | EAN |
|----------|----------|----------------------------------|-------------------------------|---------------|
| 0251 51 | 1 | SCHRAUBE | 4931624172 | 4002395711178 |
| 0260 52 | 1 | BODENPLATTE | 4931412827 | 4002395794058 |
| 0261 53 | 1 | DRUCKSTUECK | 4931357588 | 4002395649785 |
| 0262 54 | 1 | SCHRAUBE | 4931381124 | 4002395711154 |
| 0270 55 | 1 | STOESSEL | 4931357693 | 4002395650026 |
| 0271 56 | 1 | DREHFEDER | 4931330424 | 4002395611911 |
| 0272 57 | 1 | SPANNHUELSE | 4931330494 | 4002395612079 |
| 0273 58 | 1 | SCHRAUBE | 4931623102 | 4002395700394 |
| 0274 59 | 1 | DRUCKFEDER | Item discontinued(4931357686) | |
| 0275 60 | 2 | ZENTRIERBACKE | 4931330303 | 4002395611669 |
| 0276 61 | 1 | DICHTRING | 4931623091 | 4002395700363 |
| 0600 62 | 1 | STAUBKAPPE | 4931357987 | 4002395716845 |
| 1100 63 | 1 | GEHAEUSE | 4931358934 | 4002395652976 |
| 0700 64 | 1 | SYSTEMKOFFER MILWAUKEE GR.1 | 4932378986 | 4002395349401 |
| 0701 65 | 1 | SPANREISSCHUTZ (3 STUECK) P1 A/M | 4931449321 | 4002395256242 |
| 0703 66 | 1 | GLEITSCHUH JSPE90X P1 A/M | 4932430356 | 4002395380176 |