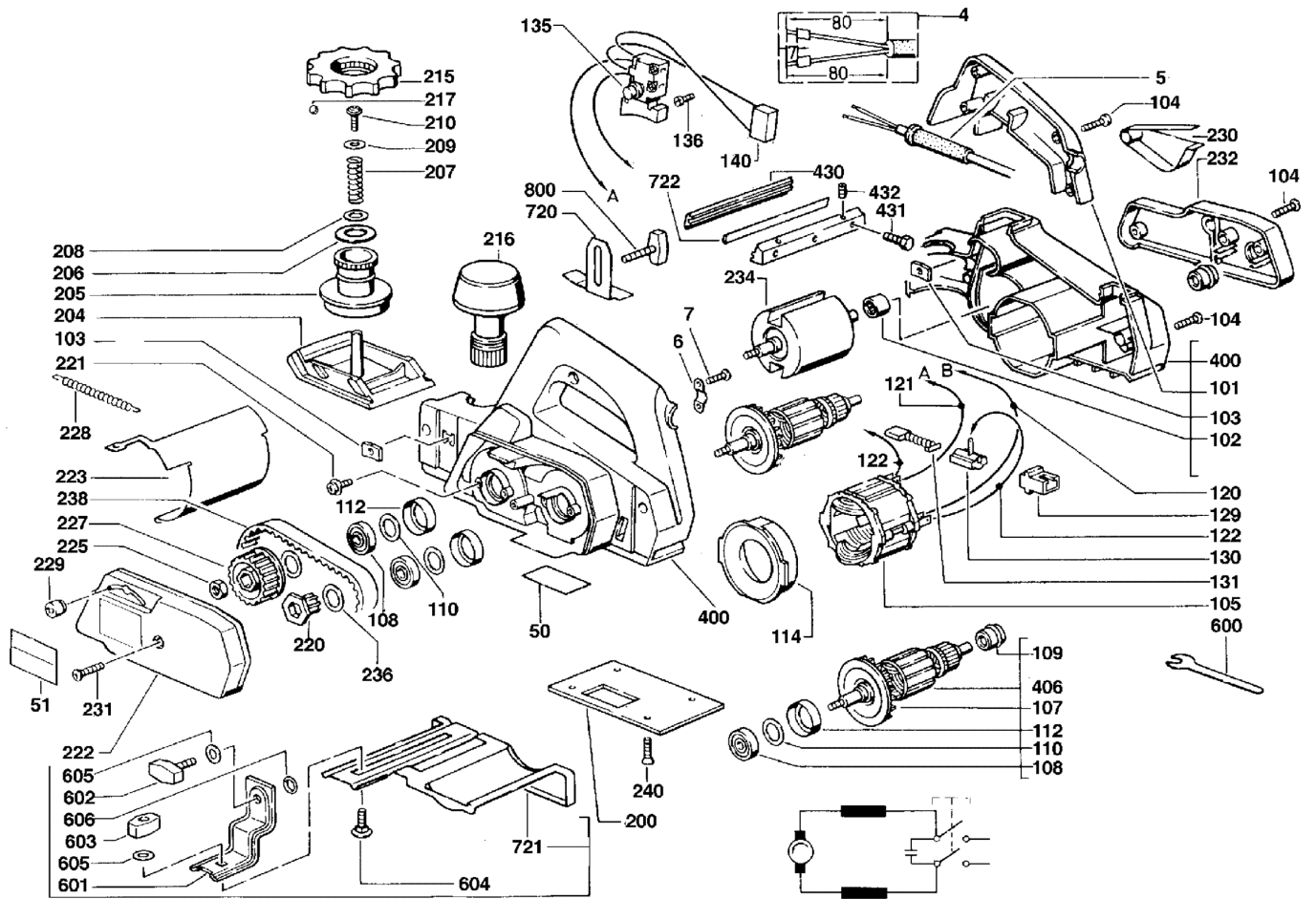


PR3-82 HOBEL IN2

4933383765 - PR3-82 - 4000383766





| Position | Quantity | Description | Part number | EAN |
|----------|----------|----------------------|-------------------------------|---------------|
| 0004 1 | 1 | ANSCHLUSSLEITUNG | 4931622543 | 4002395698318 |
| 0005 2 | 1 | KABELSCHUTZSCHLAUCH | 4931206687 | 4002395583379 |
| 0006 3 | 1 | KABELSCHELLE | 4931256500 | 4002395586547 |
| 0007 4 | 2 | SCHRAUBE | 4931624538 | 4002395760039 |
| 0050 5 | 1 | LEISTUNGSSCHILD | Item discontinued(4931383776) | |
| 0051 6 | 1 | TYPENSCHILD | 4931378806 | 4002395684755 |
| 0101 7 | 1 | HANDGRIFFDECKEL | Item discontinued(4931383775) | |
| 0102 8 | 1 | Nadelhuelse | Item discontinued(4931316297) | |
| 0103 9 | 2 | MUTTER | Item discontinued(4931300619) | |
| 0104 10 | 14 | SCHRAUBE | 4931618253 | 4002395694945 |
| 0105 11 | 1 | FELD F. ELEKTROMOTOR | 4931316600 | 4002395599417 |
| 0107 12 | 1 | VENTILATOR | Item discontinued(4931303334) | |
| 0108 13 | 1 | RILLENKUGELLAGER | 4931341740 | 4002395626991 |
| 0109 14 | 1 | GUMMIBUCHSE | Item discontinued(4931308595) | |
| 0110 15 | 1 | SCHEIBE | Item discontinued(4931941067) | |
| 0112 16 | 1 | GUMMIBUCHSE | 4931301483 | 4002395591428 |
| 0114 17 | 1 | LUFTFUEHRUNGSRING | Item discontinued(4931300986) | |
| 0120 18 | 1 | LEITUNG | Item discontinued(4931622352) | |
| 0121 19 | 1 | LEITUNG | Item discontinued(4931622353) | |
| 0122 20 | 2 | LEITUNG | Item discontinued(4931253744) | |
| 0129 21 | 2 | BUERSTENH.-ISOLAT. | 4931317543 | 4002395600182 |
| 0130 22 | 2 | BUERSTENHALTER | 4931317547 | 4002395600229 |
| 0131 23 | 1 | KOHLBUERSTEN-SET | 4931392577 | 4002395740703 |
| 0135 24 | 1 | SCHALTER | Item discontinued(4931383777) | |
| 0136 25 | 2 | SCHRAUBE | 4931621772 | 4002395695973 |
| 0140 26 | 1 | KONDENSATOR | Item discontinued(4931622364) | |
| 0200 27 | 1 | FLAGEPLATTE | Item discontinued(4931323938) | |
| 0204 28 | 1 | PLATTE | Item discontinued(4931300949) | |
| 0205 29 | 1 | KURVENSCHLEIBE | Item discontinued(4931300987) | |
| 0206 30 | 1 | SCHEIBE | Item discontinued(4931622563) | |
| 0207 31 | 1 | DRUCKFEDER | Item discontinued(4931300995) | |
| 0208 32 | 1 | SCHEIBE | 4931939634 | 4002395706846 |
| 0209 33 | 1 | DICHTUNGSSCHLEIBE | 4931622042 | 4002395696642 |
| 0215 34 | 1 | STELLRAD | Item discontinued(4931335344) | |
| 0216 35 | 1 | GRIFF | 4931300941 | 4002395591138 |
| 0217 36 | 1 | KUGEL | 4931805413 | 4002395706020 |
| 0220 37 | 1 | ZAHNRIEMENSCHLEIBE | Item discontinued(4931316881) | |
| 0221 38 | 4 | SCHRAUBE | Item discontinued(4931622332) | |
| 0222 39 | 1 | DECKEL | 4931300985 | 4002395591206 |
| 0223 40 | 1 | SCHUTZHAUBE | Item discontinued(4931300933) | |
| 0225 41 | 1 | MUTTER | Item discontinued(4931330505) | |
| 0227 42 | 1 | SCHEIBE | Item discontinued(4931300971) | |
| 0228 43 | 1 | FEDER | Item discontinued(4931300996) | |
| 0229 44 | 1 | KNOPF | Item discontinued(4931330173) | |
| 0230 45 | 1 | SCHUTZKAPPE | Item discontinued(4931300934) | |
| 0232 46 | 1 | ABDECKUNG | Item discontinued(4931300984) | |
| 0234 47 | 1 | REPARATURSATZ | Item discontinued(4931330512) | |
| 0236 48 | 1 | SCHEIBE | 4931886465 | 4002395706266 |
| 0238 49 | 1 | ZAHNRIEMEN | Item discontinued(4931300967) | |
| 0240 50 | 4 | SCHRAUBE | Item discontinued(4931620093) | |

| Position | Quantity | Description | Part number | EAN |
|----------|----------|--------------------------------------|-------------------------------|---------------|
| 0400 51 | 1 | GEHAEUSE | Item discontinued(4931383779) | |
| 0406 52 | 1 | ANKER VOLLST 220V L R+E | Item discontinued(4931316345) | |
| 0430 53 | 1 | KLEMMBACKENPAAR | Item discontinued(4931316151) | |
| 0431 54 | 6 | SCHRAUBE | Item discontinued(4931272618) | |
| 0432 55 | 4 | GEWINDESTIFT | Item discontinued(4931316206) | |
| 0600 56 | 1 | CLE | Item discontinued(4931606512) | |
| 0601 57 | 1 | HALTER | 4931274052 | 4002395588534 |
| 0602 58 | 2 | SCHRAUBE | 4931274068 | 4002395588558 |
| 0603 59 | 1 | GRIFFMUTTER | 4931276423 | 4002395589050 |
| 0604 60 | 1 | SCHRAUBE | 4931617010 | 4002395694716 |
| 0605 61 | 2 | DICHTUNGSSCHEIBE | 4931615511 | 4002395694365 |
| 0606 62 | 1 | O-RING | 4931941082 | 4002395706945 |
| 0720 63 | 1 | ANSCHLAG | 4932274069 | 4002395300129 |
| 0721 64 | 1 | PARALLELANSCHLAG BANDSCHLEIFER H/HB€ | Item discontinued(4932274071) | |
| 0722 65 | 1 | HM-WENDEMESSER SATZ 82MM | 4932273484 | 4002395300150 |