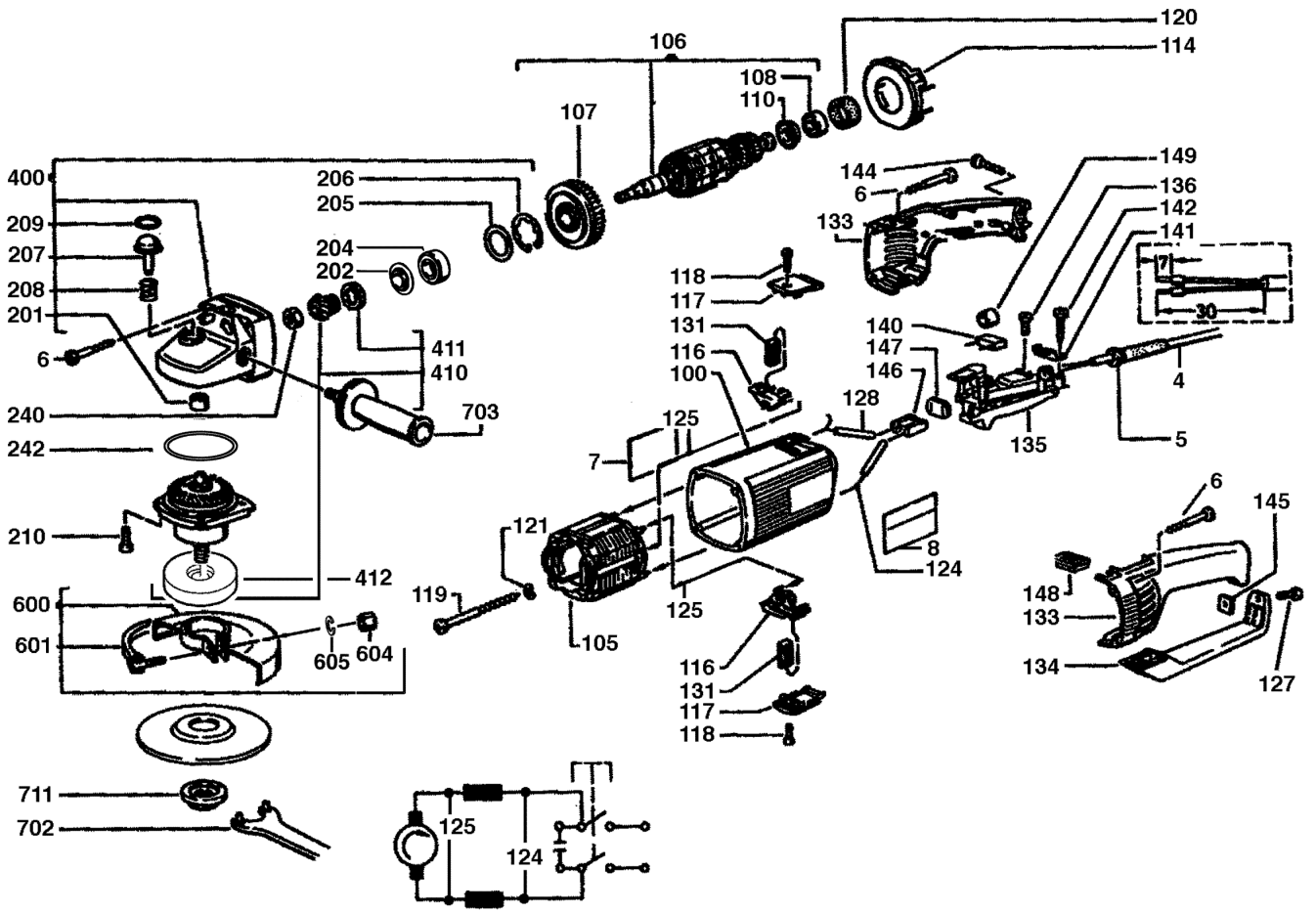


MEUL 2M AGV 20-180/DMS

4933383890 - AGV20-180 - 4000383891





| Position | Quantity | Description | Part number | EAN |
|----------|----------|----------------------|-------------------------------|---------------|
| 0004 1 | 1 | ANSCHLUSSLEITUNG | 4931623311 | 4002395701292 |
| 0005 2 | 1 | KABELSCHUTZSCHLAUCH | 4931217556 | 4002395583676 |
| 0006 3 | 8 | SCHRAUBE | 4931622765 | 4002395699094 |
| 0007 4 | 1 | LEISTUNGSSCHILD | Item discontinued(4931383897) | |
| 0008 5 | 1 | TYPENSCHILD | 4931378792 | 4002395684694 |
| 0100 6 | 1 | MOTORGEHAEUSE MI-RT | Item discontinued(4931362783) | |
| 0105 7 | 1 | FELD F. ELEKTROMOTOR | 4931313392 | 4002395597468 |
| 0106 8 | 1 | ANKER 230-240V R | Item discontinued(4931334396) | |
| 0107 9 | 1 | VENTILATOR | 4931334394 | 4002395615940 |
| 0108 10 | 1 | KUGELLAGER | 4931805312 | 4002395705986 |
| 0110 11 | 1 | DICHTRING | Item discontinued(4931259633) | |
| 0114 12 | 1 | LUFTFUEHRUNGSRING | 4931326156 | 4002395607433 |
| 0116 13 | 2 | BUERSTENHALTER | Item discontinued(4931383281) | |
| 0117 14 | 2 | DECKEL | Item discontinued(4931383888) | |
| 0118 15 | 2 | SCHRAUBE | 4931621528 | 4002395695522 |
| 0119 16 | 2 | SCHRAUBE | Item discontinued(4931259535) | |
| 0120 17 | 1 | GUMMIBUCHSE | 4931322656 | 4002395604296 |
| 0121 18 | 2 | FEDERSCHEIBE | 4931619992 | 4002395695232 |
| 0124 19 | 2 | LEITUNG | Item discontinued(4931622785) | |
| 0125 20 | 2 | LEITUNG | Item discontinued(4931622297) | |
| 0127 21 | 1 | SCHRAUBE | Item discontinued(4931622933) | |
| 0128 22 | 2 | ISOLIER SCHLAUCH | Item discontinued(4931334586) | |
| 0131 23 | 1 | KOHLEBUERSTE | Item discontinued(4931369476) | |
| 0133 24 | 1 | HANDGRIFF | 4931362785 | 4002395661596 |
| 0134 25 | 1 | BUEGEL | Item discontinued(4931334465) | |
| 0135 26 | 1 | SCHALTER | Item discontinued(4931378784) | |
| 0136 27 | 2 | SCHRAUBE | 4931940611 | 4002395706914 |
| 0140 28 | 1 | KONDENSATOR | 4931329272 | 4002395610600 |
| 0141 29 | 1 | KABELSCHELLE | 4931329273 | 4002395610617 |
| 0142 30 | 1 | SCHRAUBE | 4931624537 | 4002395760022 |
| 0144 31 | 5 | SCHRAUBE | 4931618253 | 4002395694945 |
| 0145 32 | 1 | KLEMMSTUECK | 4931300231 | 4002395590988 |
| 0146 33 | 1 | SCHALTERKULISSE | 4931329171 | 4002395610501 |
| 0147 34 | 1 | DICHTRING | Item discontinued(4931329503) | |
| 0148 35 | 1 | STUETZE | 4931329122 | 4002395610440 |
| 0149 36 | 1 | FEDER | Item discontinued(4931341889) | |
| 0201 37 | 1 | HUELSE | 4931621981 | 4002395696512 |
| 0202 38 | 1 | SCHEIBE | 4931621629 | 4002395695720 |
| 0204 39 | 1 | KUGELLAGER | 4931624305 | 4002395738595 |
| 0205 40 | 1 | SCHEIBE | 4931622897 | 4002395699636 |
| 0206 41 | 1 | SPERRING | 4931334400 | 4002395615971 |
| 0207 42 | 1 | ARRETIERBOLZEN | 4931329107 | 4002395610426 |
| 0208 43 | 1 | DRUCKFEDER | 4931329173 | 4002395610518 |
| 0209 44 | 1 | O-RING | 4931622764 | 4002395699087 |
| 0210 45 | 4 | SCHRAUBE | 4931624147 | 4002395711055 |
| 0240 46 | 1 | MUTTER | 4931329494 | 4002395610693 |
| 0242 47 | 1 | O-RING | Item discontinued(9170317010) | |
| 0400 48 | 1 | GETRIEBEKASTEN | 4931378799 | 4002395684724 |
| 0410 49 | 1 | ANTRIEB | Item discontinued(4931369993) | |
| 0411 50 | 1 | FETT FANGSCHEIBE | Item discontinued(4931329091) | |

| Position | Quantity | Description | Part number | EAN |
|----------|----------|--------------------------------------|-------------------------------|---------------|
| 0412 51 | 1 | AUTOBALANCER | Item discontinued(4931369830) | |
| 0600 52 | 1 | SCHUTZHAUBE | Item discontinued(4931383881) | |
| 0601 53 | 1 | SPANNHEBEL | 4931383175 | 4002395710782 |
| 0604 54 | 1 | MUTTER | Item discontinued(4931615586) | |
| 0605 55 | 1 | FEDERSCHEIBE | Item discontinued(4931616932) | |
| 0702 56 | 1 | STIRNLOCHSCHLUeSSEL GERADE B35 D3116 | 4932367712 | 4002395338467 |
| 0703 57 | 1 | HANDGRIFF 180-230/WP/WSA P1A/M | 4931433531 | 4002395889259 |
| 0711 58 | 1 | FLANSCHMUTTER M14 5MM P1 A/M | 4932345628 | 4002395313105 |