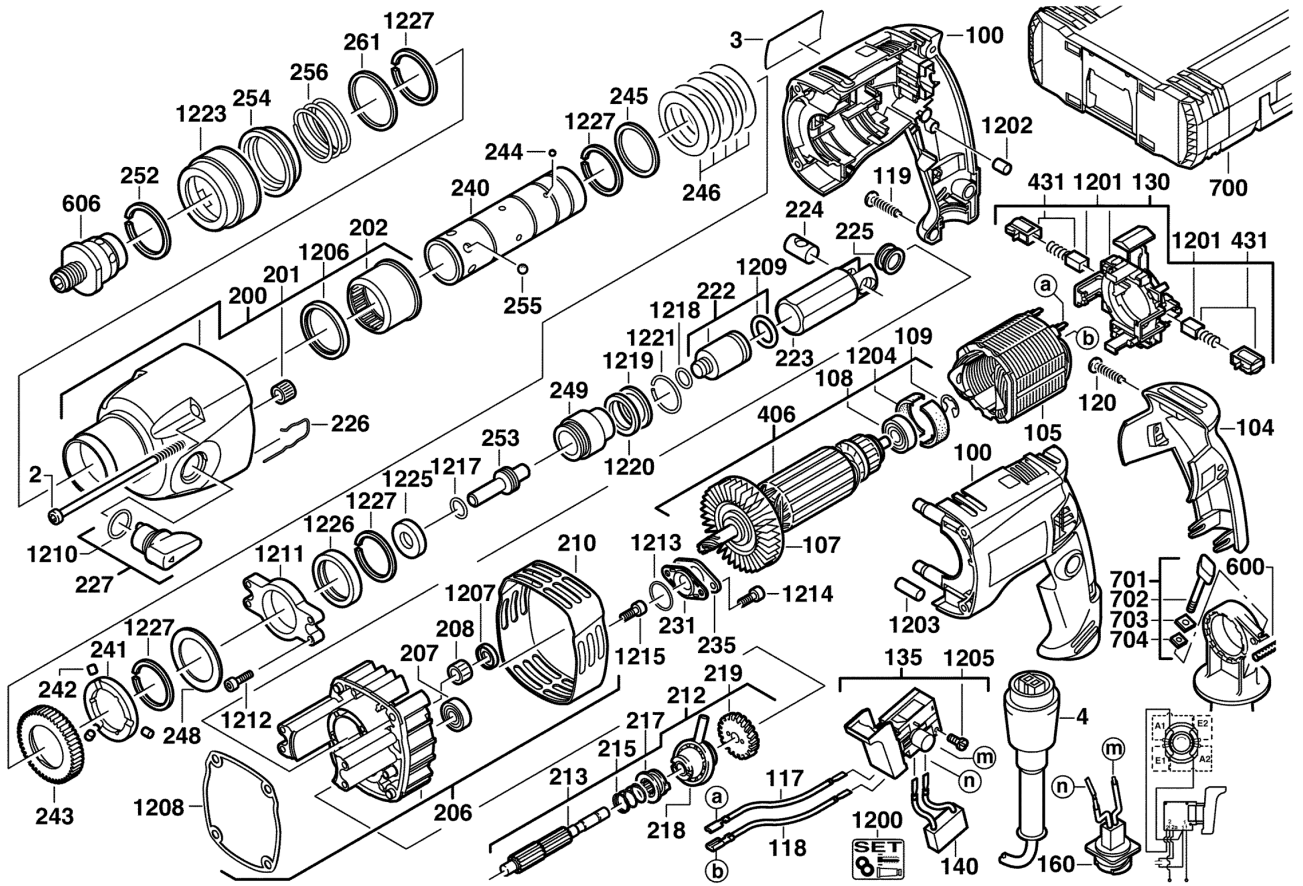


PERFORATEUR PFH 24 QEX/SET

4933384000 - PFH24QEX - 4000384001





| Position | Quantity | Description | Part number | EAN |
|----------|----------|---------------------------------------|-------------------------------|---------------|
| 0002 1 | 4 | SCHRAUBE | 4931331734 | 4002395613755 |
| 0003 2 | 1 | LEISTUNGSSCHILD | Item discontinued(4931384003) | |
| 0004 3 | 1 | N871421 ANSCHLTG ANB4AQN3 IN QUIK LOK | 4931624171 | 4002395710799 |
| 0100 4 | 1 | GEHAEUSE | Item discontinued(4931374910) | |
| 0104 5 | 1 | HANDGRIFFDECKEL | Item discontinued(4931374488) | |
| 0105 6 | 1 | FELD F. ELEKTROMOTOR | Item discontinued(4931374623) | |
| 0107 7 | 1 | VENTILATOR | 4931330633 | 4002395612321 |
| 0108 8 | 1 | KUGELLAGER | 4931624169 | 4002395710850 |
| 0109 9 | 1 | SCHEIBE | 4931621834 | 4002395696185 |
| 0117 10 | 2 | LEITUNG | 4931253700 | 4002395586172 |
| 0119 11 | 5 | SCHRAUBE | 4931618253 | 4002395694945 |
| 0120 12 | 1 | SCHRAUBE | 4931624517 | 4002395757381 |
| 0130 13 | 1 | STELLRING | 4931374498 | 4002395678143 |
| 0135 14 | 1 | STEUERSCHALTER KOMP | 4931382238 | 4002395709434 |
| 0140 15 | 1 | KONDENSATOR | 4931311062 | 4002395594818 |
| 0160 16 | 1 | EINLEGETEIL | 4931364437 | 4002395663873 |
| 0200 17 | 1 | GETRIEBEKASTEN | 200281025 | 4002395801954 |
| 0201 18 | 1 | NADELLAGER | 4931933756 | 4002395706785 |
| 0202 19 | 1 | NADELHUELSE | Item discontinued(4931365065) | |
| 0206 20 | 1 | LAGERSCHILD | Item discontinued(4931382318) | |
| 0207 21 | 1 | KUGELLAGER | 681383001 | 4002395802050 |
| 0208 22 | 1 | NADELLAGER | 4931219424 | 4002395583874 |
| 0210 23 | 1 | LAGERSCHILDISOL. | Item discontinued(4931382319) | |
| 0212 24 | 1 | VORGELEGE | Item discontinued(4931365015) | |
| 0213 25 | 1 | VORGELEGEWELLE | 4931365010 | 4002395665594 |
| 0215 26 | 1 | FEDER | 4931365058 | 4002395665839 |
| 0217 27 | 1 | KUPPLUNGSHUELSE | Item discontinued(4931365012) | |
| 0218 28 | 1 | TAUMELTRIEB | 4931387623 | 4002395829101 |
| 0219 29 | 1 | VORGELEGERAD | Item discontinued(4931365014) | |
| 0222 30 | 1 | SCHLAGKOERPER | 201233001 | 4002395802029 |
| 0223 31 | 1 | ZYLINDER | Item discontinued(4931365029) | |
| 0224 32 | 1 | ZYLINDERBOLZEN | 4931387381 | 4002395792610 |
| 0225 33 | 2 | SCHEIBE | 4931365112 | 4002395666027 |
| 0226 34 | 1 | SICHERUNGSKLAMMER | Item discontinued(4931365047) | |
| 0227 35 | 1 | SCHALTGRIFF | Item discontinued(4931374856) | |
| 0231 36 | 1 | LAGERDECKEL | Item discontinued(4931365051) | |
| 0235 37 | 1 | Deckel | Item discontinued(4931365135) | |
| 0240 38 | 1 | SPINDELHUELSE | Item discontinued(4931374293) | |
| 0241 39 | 1 | KUPPLUNGSSCHEIBE | 4931392751 | 4002395743285 |
| 0242 40 | 3 | ZYLINDERBOLZEN | 681235001 | 4002395851904 |
| 0243 41 | 1 | SPINDELRAD | 4931407761 | 4002395832125 |
| 0244 42 | 3 | KUGEL | 4931944281 | 4002395707140 |
| 0245 43 | 2 | SCHEIBE | 4931623234 | 4002395701100 |
| 0246 44 | 5 | TELLERFEDER | 4931365066 | 4002395665877 |
| 0248 45 | 1 | SCHEIBE | 4931623199 | 4002395700998 |
| 0249 46 | 1 | HUELSE | Item discontinued(4931365136) | |
| 0252 47 | 5 | SPRENGRING | 4931945764 | 4002395707317 |
| 0253 48 | 1 | DOEPFER | Item discontinued(4931374327) | |
| 0254 49 | 1 | RING | Item discontinued(4931331749) | |
| 0255 50 | 6 | KUGEL | 4931805437 | 4002395706037 |

| Position | Quantity | Description | Part number | EAN |
|----------|----------|--------------------------------------|-------------------------------|---------------|
| 0256 51 | 1 | DRUCKFEDER | 692737001 | 4002395854189 |
| 0406 52 | 1 | ANKER F.ELEKTROMOTOR | 200026028 | 4002395822225 |
| 0431 53 | 1 | KOHLEBUERSTEN-SET | 4931392563 | 4002395740369 |
| 0600 54 | 1 | TIEFENANSCHLAG | 4931384434 | 4002395719402 |
| 0606 55 | 1 | BOHRFUTTERADAPTER | 4931374642 | 4002395678433 |
| 0702 56 | 1 | SCHRAUBE | 4931254533 | 4002395586417 |
| 0703 57 | 1 | SPANNBLECH | 4931271221 | 4002395587797 |
| 0704 58 | 1 | MUTTER | 4931614025 | 4002395694211 |
| 1200 59 | 1 | WARTUNGSSET | Item discontinued(4931374629) | |
| 1201 60 | 1 | KOHLEBUERSTEN-SET | Item discontinued(4931392604) | |
| 1202 61 | 1 | NIEDERHALTER | 4931409768 | 4002395847617 |
| 1203 62 | 1 | NIEDERHALTER | 4931307423 | 4002395593316 |
| 1204 63 | 1 | GUMMIFEDER | Item discontinued(4931392373) | |
| 1205 64 | 2 | SCHRAUBE | 4931621772 | 4002395695973 |
| 1206 65 | 1 | DICHTRING | 4931623885 | 4002395704446 |
| 1207 66 | 1 | DICHTRING | Item discontinued(4931623700) | |
| 1208 67 | 1 | DICHTUNG | 4931379289 | 4002395686353 |
| 1209 68 | 1 | DICHTRING | 561994001 | 4002395854943 |
| 1210 69 | 1 | O-RING | 4931920948 | 4002395706587 |
| 1211 70 | 1 | SINTERLAGER | Item discontinued(4931365032) | |
| 1212 71 | 4 | SCHRAUBE | 4931623886 | 4002395704453 |
| 1213 72 | 1 | DICHTRING | 4931623833 | 4002395704163 |
| 1214 73 | 2 | SCHRAUBE | 4931267225 | 4002395587308 |
| 1215 74 | 1 | SCHRAUBE | 661504001 | 4002395851379 |
| 1217 75 | 1 | DICHTRING | 4931623783 | 4002395703937 |
| 1218 76 | 1 | O-RING | 4931454456 | 4058546008840 |
| 1219 77 | 1 | SCHEIBE | Item discontinued(4931622160) | |
| 1220 78 | 1 | O-RING | 4931943504 | 4002395707065 |
| 1221 79 | 1 | SPRENGRING | 4931623860 | 4002395704286 |
| 1223 80 | 1 | HUELSE (ROT) | 4931379022 | 4002395685387 |
| 1225 81 | 1 | BREMSRING | Item discontinued(4931374728) | |
| 1226 82 | 1 | DAEMPFUNGSRING | 4931365188 | 4002395666188 |
| 0700 83 | 1 | SYSTEMKOFFER MILWAUKEE GR.1 | 4932378986 | 4002395349401 |
| 0701 84 | 1 | ZUSATZHANDGRIFF FUer 43 MM SPANNHALS | 4932373725 | 4002395352647 |