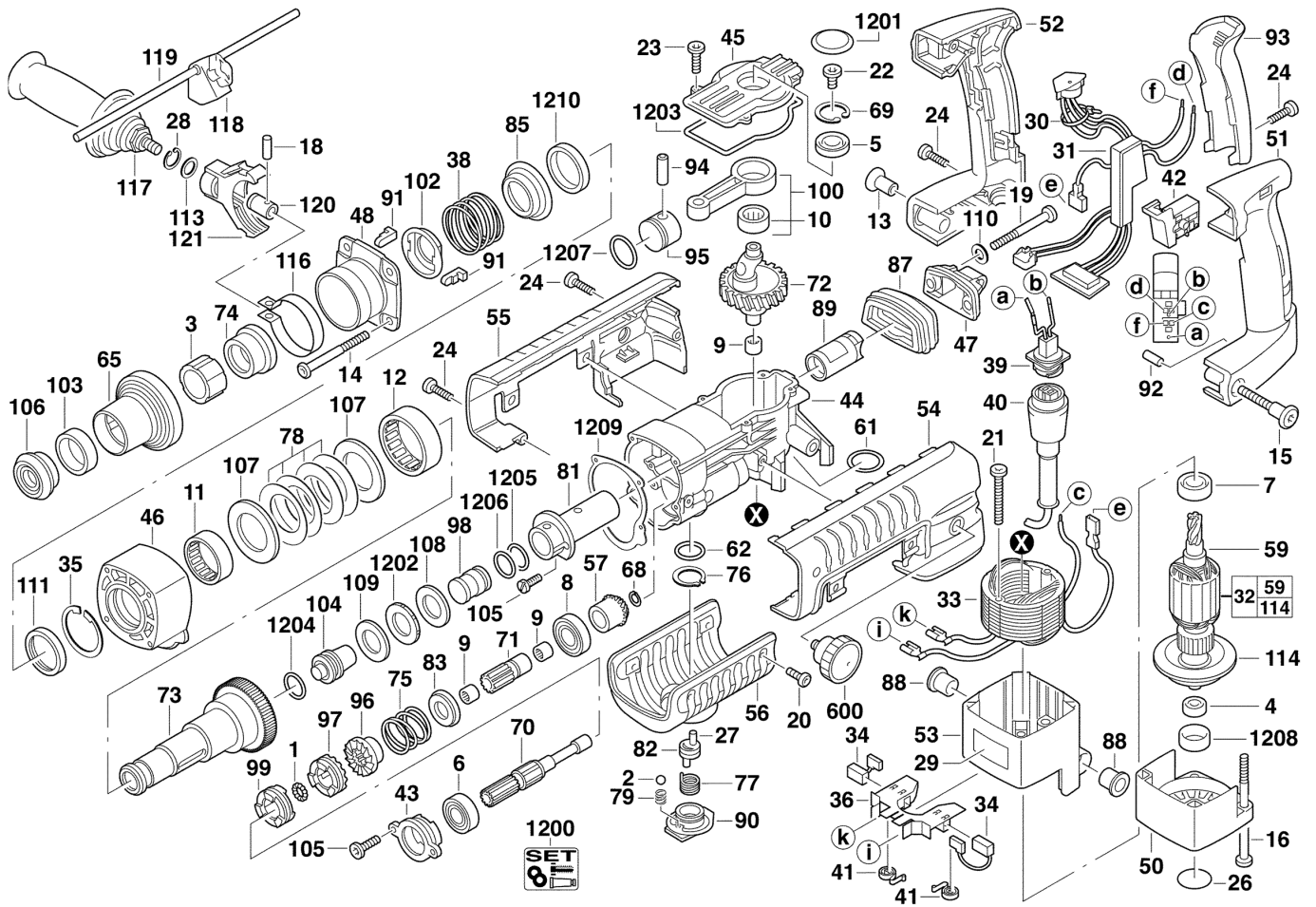


PHE45SQ"220-240V EU ROTARY HAMMER

534651 - PHE45SQ - 4000384507





Position	Quantity	Description	Part number	EAN
0001 1	12	KUGEL	Item discontinued(02020120)	
0002 2	2	KUGEL	4931805413	4002395706020
0003 3	1	DISTANZRING	Item discontinued(31860100)	
0004 4	1	KUGELLAGER	02040847	4058546067977
0005 5	1	KUGELLAGER	02040911	4058546068004
0006 6	1	KUGELLAGER	02041510	4058546068080
0007 7	1	KUGELLAGER	Item discontinued(02041518)	
0008 8	1	KUGELLAGER	02042000	4058546068141
0009 9	3	NADELLAGER	Item discontinued(02502470)	
0010 10	1	NADELLAGER	Item discontinued(02504020)	
0011 11	1	NADELLAGER	Item discontinued(02509000)	
0012 12	1	NADELLAGER	Item discontinued(02509985)	
0013 13	1	MUTTER	Item discontinued(05590100)	
0014 14	4	SCHRAUBE	Item discontinued(05810830)	
0015 15	1	LAGERBOLZEN	Item discontinued(05770100)	
0016 16	4	SCHRAUBE	Item discontinued(05810920)	
0018 17	1	SPANNSTIFT	Item discontinued(06651660)	
0019 18	2	SCHRAUBE	Item discontinued(06811805)	
0020 19	4	SCHRAUBE	06827252	4058546068943
0021 20	2	SCHRAUBE	Item discontinued(06827425)	
0022 21	1	SCHRAUBE	Item discontinued(06828842)	
0023 22	4	SCHRAUBE	Item discontinued(06956280)	
0024 23	1	SCHRAUBE	06956290	4058546069292
0026 24	1	ETIKETT	Item discontinued(10752760)	
0027 25	1	SPANNSTIFT	Item discontinued(06653720)	
0028 26	1	BEFEST.-RING	Item discontinued(34602580)	
0029 27	1	FIRMENSCHILD	Item discontinued(12203330)	
0030 28	2	LEITUNG	Item discontinued(23780110)	
0031 29	1	ELECTRONIK-BAUSTEIN ELECTRONIC ASSEMBLY	Item discontinued(14200045)	
0032 30	1	ANKER	Item discontinued(16540045)	
0033 31	1	FELD F. ELEKTROMOTOR	Item discontinued(18540045)	
0034 32	1	KOHLEBUERSTE	Item discontinued(22180875)	
0035 33	1	BEFEST.-RING	Item discontinued(34805100)	
0036 34	1	BUERSTENHALTER	Item discontinued(22221480)	
0038 35	1	DRUCKFEDER	Item discontinued(40508870)	
0039 36	1	EINLEGETEIL	Item discontinued(22561020)	
0040 37	1	N871421 ANSCHLTG ANB4AQN3 IN QUIK LOK	4931624171	4002395710799
0041 38	2	DRUCKFEDER	Item discontinued(23521550)	
0042 39	1	SCHALTER	Item discontinued(23662740)	
0043 40	1	LAGERDECKEL	Item discontinued(30890010)	
0044 41	1	KURBELGEHAEUSE	Item discontinued(28142297)	
0045 42	1	BEFESTIGUNG	Item discontinued(28201325)	
0046 43	1	GEHAEUSE	Item discontinued(28508680)	
0047 44	1	GRIFFSTUECK	Item discontinued(28900280)	
0048 45	1	FLANSCH	Item discontinued(28120110)	
0050 46	1	MOTORABDECKUNG	Item discontinued(31150432)	
0051 47	1	GRIFF LINKS	Item discontinued(31441981)	
0052 48	1	HANDGRIFF-SET	Item discontinued(14461970)	
0053 49	1	MOTORGEHAEUSE MOTOR HOUSING	Item discontinued(31500537)	
0054 50	1	GEHAEUSE	Item discontinued(31550240)	

Position	Quantity	Description	Part number	EAN
0055 51	1	GEHAEUSE	Item discontinued(31550250)	
0056 52	1	GEHAEUSE	Item discontinued(31550230)	
0057 53	1	GETRIEBE	Item discontinued(32052250)	
0059 54	1	BEFEST.-RING	Item discontinued(34603620)	
0061 55	1	O-RING	34401375	4058546072117
0062 56	1	O-RING	34404160	4058546072131
0065 57	1	DECKEL	Item discontinued(42760710)	
0068 58	1	BEFEST.-RING	Item discontinued(34600700)	
0069 59	1	BEFEST.-RING	Item discontinued(34805090)	
0070 60	1	VORGELEGEWELLE	Item discontinued(36140790)	
0071 61	1	SCHAFT	Item discontinued(36140770)	
0072 62	1	EXZENTERZAHNRAD	Item discontinued(14090140)	
0073 63	1	SPINDEL	Item discontinued(38506145)	
0074 64	1	BUCHSE	Item discontinued(42760715)	
0075 65	1	DRUCKFEDER	Item discontinued(40508575)	
0076 66	1	SICHERUNGSRING	34603630	4058546072339
0077 67	1	DRUCKFEDER	40508585	4058546072841
0078 68	4	DRUCKFEDER	Item discontinued(40508590)	
0079 69	2	DRUCKFEDER	Item discontinued(40508690)	
0081 70	1	FEDERGEHAEUSE	Item discontinued(42980300)	
0082 71	1	SCHALTSTIFT	Item discontinued(43060690)	
0083 72	1	FLANSCH	Item discontinued(43340740)	
0085 73	1	FEDERHUELSE	Item discontinued(43340765)	
0087 74	1	ISOLIERTEIL	Item discontinued(43870030)	
0088 75	2	ISOLIERTEIL	Item discontinued(43870040)	
0089 76	1	ISOLIERTEIL	Item discontinued(43870060)	
0090 77	1	DRUECKER	Item discontinued(43980470)	
0091 78	2	KEIL	Item discontinued(43960220)	
0092 79	1	NIEDERHALTER	Item discontinued(14461001)	
0093 80	1	ABDECKUNG	Item discontinued(44520580)	
0094 81	1	STIFT	Item discontinued(44601710)	
0095 82	1	KOLBEN	Item discontinued(44620220)	
0096 83	1	DRUCKPLATTE	Item discontinued(44666030)	
0097 84	1	DRUCKPLATTE	Item discontinued(44666045)	
0098 85	1	STOESSEL	Item discontinued(44820225)	
0099 86	1	BEFEST.-RING	Item discontinued(44904400)	
0100 87	1	STANGE	Item discontinued(44940395)	
0102 88	1	BEFEST.-RING	Item discontinued(44860610)	
0103 89	1	BEFEST.-RING	Item discontinued(44900005)	
0104 90	1	STRIKER	Item discontinued(45562620)	
0106 91	1	DICHTRING	Item discontinued(45060555)	
0107 92	2	SCHEIBE	Item discontinued(45888520)	
0108 93	1	SCHEIBE	Item discontinued(45888530)	
0109 94	1	SCHEIBE	Item discontinued(45888535)	
0110 95	2	SCHEIBE	Item discontinued(45888555)	
0111 96	1	DICHTRING	Item discontinued(45060670)	
0113 97	1	SCHEIBE	Item discontinued(45888730)	
0114 98	1	VENTILATOR	Item discontinued(22840875)	
0116 99	1	BAND	Item discontinued(42160125)	
0117 100	1	HANDGRIFF	Item discontinued(14340516)	

Position	Quantity	Description	Part number	EAN
0118 101	1	TIEFENANSCHLAG	Item discontinued(14340551)	
0119 102	1	STANGE	Item discontinued(44940165)	
0120 103	1	HALTER	Item discontinued(44860620)	
0121 104	1	GRIFF	Item discontinued(31442000)	
0600 105	1	DRUECKER	Item discontinued(43980630)	
1200 106	1	Reparatursatz	Item discontinued(14469065)	
1201 107	1	BEFESTIGUNG	Item discontinued(31120270)	
1202 108	1	DICHTUNGSSCHEIBE	Item discontinued(34404310)	
1203 109	1	BEFESTIGUNG	Item discontinued(34404320)	
1204 110	1	O-RING	34404350	4058546072179
1205 111	1	DICHTUNG	34400045	4058546072063
1206 112	1	O-Ring	Item discontinued(34400046)	
1207 113	1	O-RING	34404470	4058546072186
1208 114	1	LAGERBUECHSE	Item discontinued(42960125)	
1209 115	1	DICHTUNG	Item discontinued(43440970)	
1210 116	1	DICHTRING	Item discontinued(45060680)	