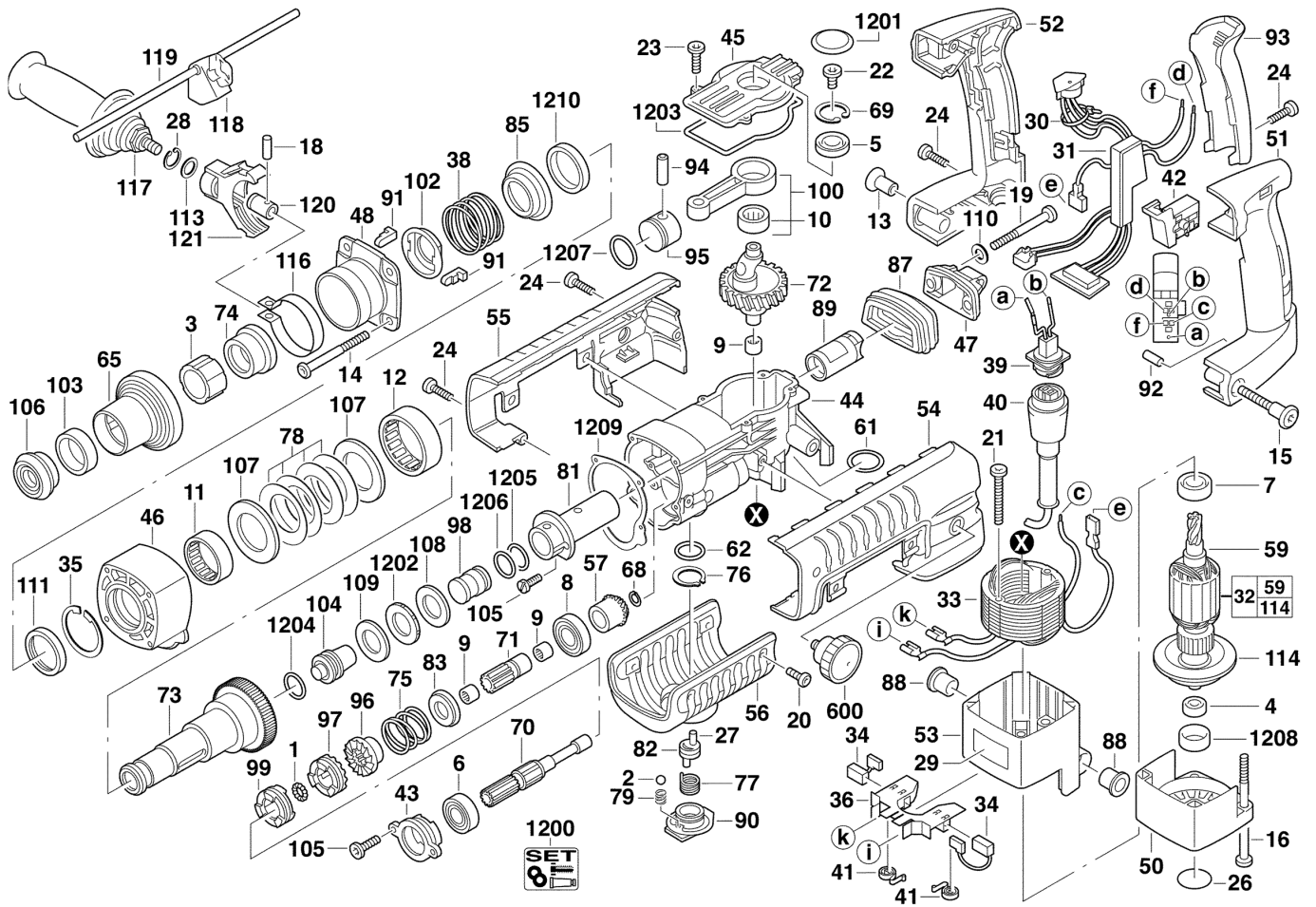


PHE45SQ"110-120V GB ROTARY HAMMER 1-3 /4

534655 - PHE45SQ - 4000384590





Position	Quantity	Description	Part number	EAN
0002 1	2	KUGEL	4931805413	4002395706020
0003 2	1	DISTANZRING	Item discontinued(31860100)	
0026 3	1	ETIKETT	Item discontinued(10752760)	
0027 4	1	SPANNSTIFT	Item discontinued(06653720)	
0028 5	1	BEFEST.-RING	Item discontinued(34602580)	
0029 6	1	FIRMENSCHILD	Item discontinued(12203330)	
0030 7	2	LEITUNG	Item discontinued(23780110)	
0031 8	1	ELECTRONIK-BAUSTEIN	Item discontinued(14200845)	
0032 9	1	ANKER F.ELEKTROMOTOR	Item discontinued(16500045)	
0033 10	1	FELD F. ELEKTROMOTOR	Item discontinued(18500045)	
0034 11	1	KOHLEBUERSTE	Item discontinued(22180870)	
0035 12	1	BEFEST.-RING	Item discontinued(34805100)	
0036 13	1	BUERSTENHALTER	Item discontinued(22221480)	
0038 14	1	DRUCKFEDER	Item discontinued(40508870)	
0039 15	1	EINLEGETEIL	Item discontinued(22561025)	
0040 16	1	ANSCHLUSSLEITUNG	Item discontinued(22640677)	
0041 17	2	DRUCKFEDER	Item discontinued(23521550)	
0042 18	1	SCHALTER	Item discontinued(23662740)	
0043 19	1	LAGERDECKEL	Item discontinued(30890010)	
0044 20	1	KURBELGEHAEUSE	Item discontinued(28142297)	
0045 21	1	BEFESTIGUNG	Item discontinued(28201325)	
0046 22	1	GEHAEUSE	Item discontinued(28508680)	
0047 23	1	GRIFFSTUECK	Item discontinued(28900280)	
0048 24	1	FLANSCH	Item discontinued(28120110)	
0050 25	1	MOTORABDECKUNG	Item discontinued(31150432)	
0051 26	1	GRIFF LINKS	Item discontinued(31441981)	
0052 27	1	HANDGRIFF-SET	Item discontinued(14461970)	
0053 28	1	MOTORGEHAEUSE MOTOR HOUSING	Item discontinued(31500537)	
0054 29	1	GEHAEUSE	Item discontinued(31550240)	
0055 30	1	GEHAEUSE	Item discontinued(31550250)	
0056 31	1	GEHAEUSE	Item discontinued(31550230)	
0057 32	1	GETRIEBE	Item discontinued(32052250)	
0059 33	1	BEFEST.-RING	Item discontinued(34603620)	
0061 34	1	O-RING	34401375	4058546072117
0062 35	1	O-RING	34404160	4058546072131
0065 36	1	DECKEL	Item discontinued(42760710)	
0068 37	1	BEFEST.-RING	Item discontinued(34600700)	
0069 38	1	BEFEST.-RING	Item discontinued(34805090)	
0070 39	1	VORGELEGEWELLE	Item discontinued(36140790)	
0071 40	1	SCHAFT	Item discontinued(36140770)	
0072 41	1	EXZENTERZAHNRAD	Item discontinued(14090140)	
0073 42	1	SPINDEL	Item discontinued(38506145)	
0074 43	1	BUCHSE	Item discontinued(42760715)	
0075 44	1	DRUCKFEDER	Item discontinued(40508575)	
0076 45	1	SICHERUNGSRING	34603630	4058546072339
0077 46	1	DRUCKFEDER	40508585	4058546072841
0078 47	4	DRUCKFEDER	Item discontinued(40508590)	
0079 48	2	DRUCKFEDER	Item discontinued(40508690)	
0081 49	1	FEDERGEHAEUSE	Item discontinued(42980300)	
0082 50	1	SCHALTSTIFT	Item discontinued(43060690)	

Position	Quantity	Description	Part number	EAN
0083 51	1	FLANSCH	Item discontinued(43340740)	
0085 52	1	FEDERHUELSE	Item discontinued(43340765)	
0087 53	1	ISOLIERTEIL	Item discontinued(43870030)	
0088 54	2	ISOLIERTEIL	Item discontinued(43870040)	
0089 55	1	ISOLIERTEIL	Item discontinued(43870060)	
0090 56	1	DRUECKER	Item discontinued(43980470)	
0091 57	2	KEIL	Item discontinued(43960220)	
0092 58	1	NIEDERHALTER	Item discontinued(14461001)	
0093 59	1	ABDECKUNG	Item discontinued(44520580)	
0094 60	1	STIFT	Item discontinued(44601710)	
0095 61	1	KOLBEN	Item discontinued(44620220)	
0096 62	1	DRUCKPLATTE	Item discontinued(44666030)	
0097 63	1	DRUCKPLATTE	Item discontinued(44666045)	
0098 64	1	STOESSEL	Item discontinued(44820225)	
0099 65	1	BEFEST.-RING	Item discontinued(44904400)	
0100 66	1	STANGE	Item discontinued(44940395)	
0102 67	1	BEFEST.-RING	Item discontinued(44860610)	
0103 68	1	BEFEST.-RING	Item discontinued(44900005)	
0104 69	1	STRIKER	Item discontinued(45562620)	
0106 70	1	DICHTRING	Item discontinued(45060555)	
0107 71	2	SCHEIBE	Item discontinued(45888520)	
0108 72	1	SCHEIBE	Item discontinued(45888530)	
0109 73	1	SCHEIBE	Item discontinued(45888535)	
0110 74	2	SCHEIBE	Item discontinued(45888555)	
0111 75	1	DICHTRING	Item discontinued(45060670)	
0113 76	1	SCHEIBE	Item discontinued(45888730)	
0114 77	1	VENTILATOR	Item discontinued(22840875)	
0116 78	1	BAND	Item discontinued(42160125)	
0117 79	1	HANDGRIFF	Item discontinued(14340516)	
0118 80	1	TIEFENANSCHLAG	Item discontinued(14340551)	
0119 81	1	STANGE	Item discontinued(44940165)	
0120 82	1	HALTER	Item discontinued(44860620)	
0121 83	1	GRIFF	Item discontinued(31442000)	
0600 84	1	DRUECKER	Item discontinued(43980630)	
1200 85	1	Reparatursatz	Item discontinued(14469065)	
1201 86	1	BEFESTIGUNG	Item discontinued(31120270)	
1202 87	1	DICHTUNGSSCHEIBE	Item discontinued(34404310)	
1203 88	1	BEFESTIGUNG	Item discontinued(34404320)	
1204 89	1	O-RING	34404350	4058546072179
1205 90	1	DICHTUNG	34400045	4058546072063
1206 91	1	O-Ring	Item discontinued(34400046)	
1207 92	1	O-RING	34404470	4058546072186
1208 93	1	LAGERBUECHSE	Item discontinued(42960125)	
1209 94	1	DICHTUNG	Item discontinued(43440970)	
1210 95	1	DICHTRING	Item discontinued(45060680)	