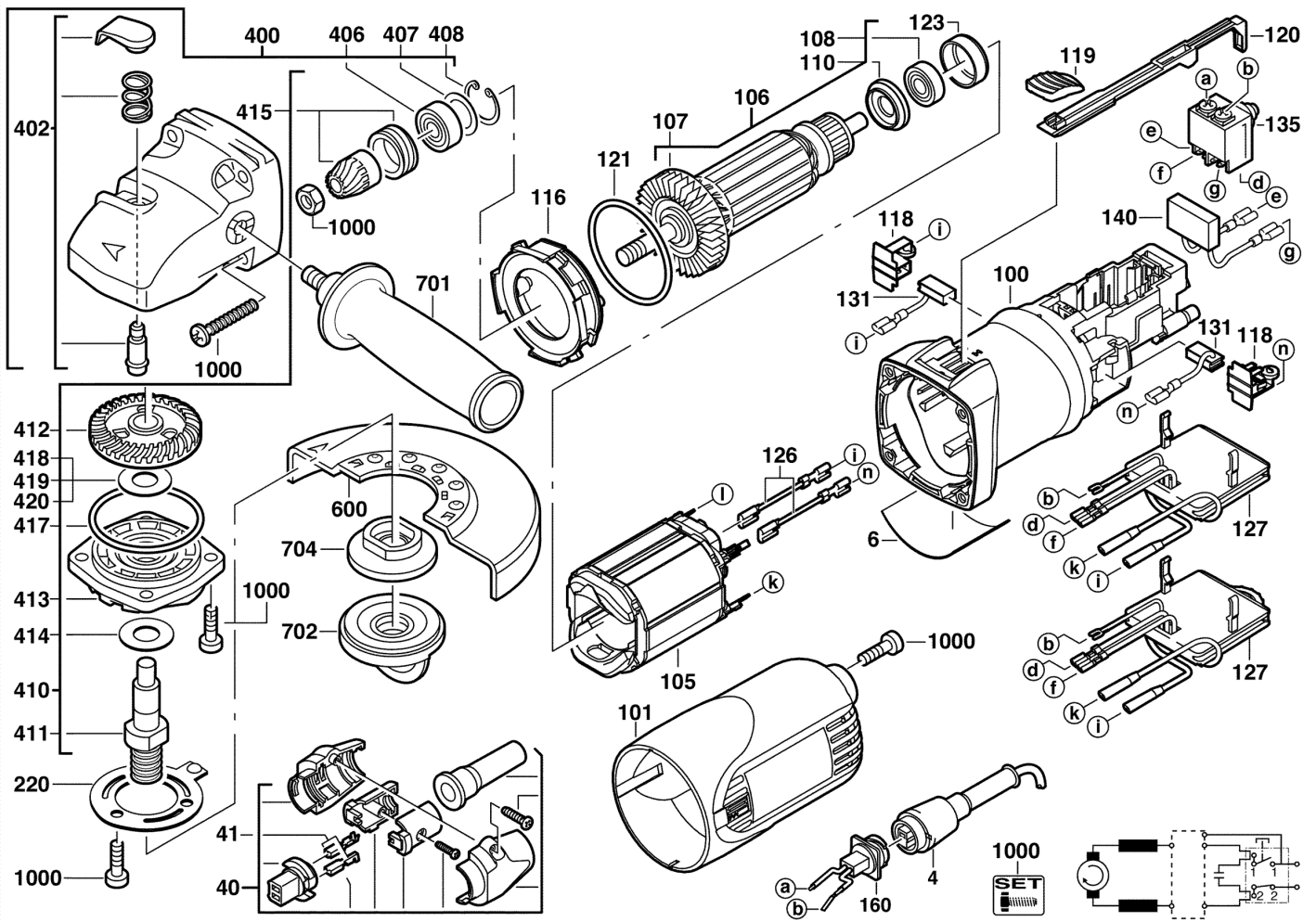


AG9-125QXE"230V EU,ASI 50HZ

4933385070 - AG9-125QXE - 4000385071





| Position | Quantity | Description | Part number | EAN |
|----------|----------|--|-------------------------------|---------------|
| 0004 1 | 1 | N871421 ANSCHLTG ANB4AQN3 IN QUIK LOK | 4931624171 | 4002395710799 |
| 0040 2 | 1 | REPARATURSATZ | 4931380758 | 4002395714551 |
| 0041 3 | 1 | Kabelschuh (10 St) | 4931380763 | 4002395745128 |
| 0100 4 | 1 | UMBAUSATZ | Item discontinued(4931403204) | |
| 0101 5 | 1 | GEHAEUSEKAPPE | 4931403014 | 4002395755608 |
| 0105 6 | 1 | FELD F. ELEKTROMOTOR | 4931442708 | 4002395882519 |
| 0106 7 | 1 | ANKER 220-240V 32X48ROEHRCHENA. NF426361 | Item discontinued(4931403211) | |
| 0107 8 | 1 | VENTILATOR | Item discontinued(4931368347) | |
| 0108 9 | 1 | KUGELLAGER | 4931902888 | 4002395706372 |
| 0110 10 | 1 | ISOLIERSCHEIBE | 4931385658 | 4002395719846 |
| 0116 11 | 1 | LUFTFUEHRUNGSRING | 4931368332 | 4002395671434 |
| 0118 12 | 2 | BUERSTENHALTER | 4931351842 | 4002395640751 |
| 0119 13 | 1 | SCHIEBER | 4931368501 | 4002395714209 |
| 0120 14 | 1 | FUEHRUNGSSTUECK | 4931368333 | 4002395671441 |
| 0121 15 | 2 | DICHTRING | 4931623590 | 4002395702992 |
| 0123 16 | 1 | GUMMIBUCHSE | 4931368374 | 4002395671601 |
| 0126 17 | 2 | LEITUNG | 4931623944 | 4002395704859 |
| 0127 18 | 1 | ELECTRONIK-BAUSTEIN | 4931395110 | 4002395757954 |
| 0131 19 | 1 | KOHLBUERSTEN-SET | 4931392611 | 4002395740628 |
| 0135 20 | 1 | SCHALTER | 4931385824 | 4002395724833 |
| 0140 21 | 1 | KONDENSATOR | 4931403213 | 4002395759668 |
| 0160 22 | 1 | STECKER | 4931368393 | 4002395671649 |
| 0220 23 | 1 | FEDERSCHEIBE | 4931345965 | 4002395633623 |
| 0400 24 | 1 | GETRIEBE | 4931412069 | 4002395799466 |
| 0402 25 | 1 | ARRETIERUNG . | 4931358685 | 4002395652471 |
| 0406 26 | 1 | D 625 KULA 627-2RSL TN9/C3HGWF4 | 4931624662 | 4002395790890 |
| 0407 27 | 1 | AUSGLEICHSSCHEIBE | 4931803914 | 4002395705856 |
| 0408 28 | 1 | SICHERUNGSRING | 4931613683 | 4002395694181 |
| 0410 29 | 1 | ANTRIEB | Item discontinued(4931358682) | |
| 0411 30 | 1 | SPINDEL | 4931409808 | 4002395837168 |
| 0412 31 | 1 | KEGELRADPAAR | Item discontinued(4931385587) | |
| 0413 32 | 1 | LAGERSCHILD | 4931378310 | 4002395683789 |
| 0414 33 | 1 | SCHEIBE | 4931623480 | 4002395702398 |
| 0415 34 | 1 | KEGELRADPAAR | Item discontinued(4931385587) | |
| 0418 35 | 1 | SCHEIBE | 4931808473 | 4002395727544 |
| 0419 36 | 1 | SCHEIBE | 4931925940 | 4002395706624 |
| 0420 37 | 1 | SCHEIBE | 4931624256 | 4002395723379 |
| 0600 38 | 1 | SCHUTZHAUBE 125 SW | 4931407642 | 4002395798834 |
| 1000 39 | 1 | SCHRAUBENSET | 4931358683 | 4002395652464 |
| 0701 40 | 1 | ZUSATZHANDGRIFF VOLLST M08 P1 A/M | 4932409546 | 4002395370870 |
| 0702 41 | 1 | FIXTEC MUTTER AEG M14 SNP | 4932358225 | 4002395325528 |
| 0704 42 | 1 | SPANNFLANSCH FUeR WINKELSCHLEIFER | 4932449324 | 4002395245185 |