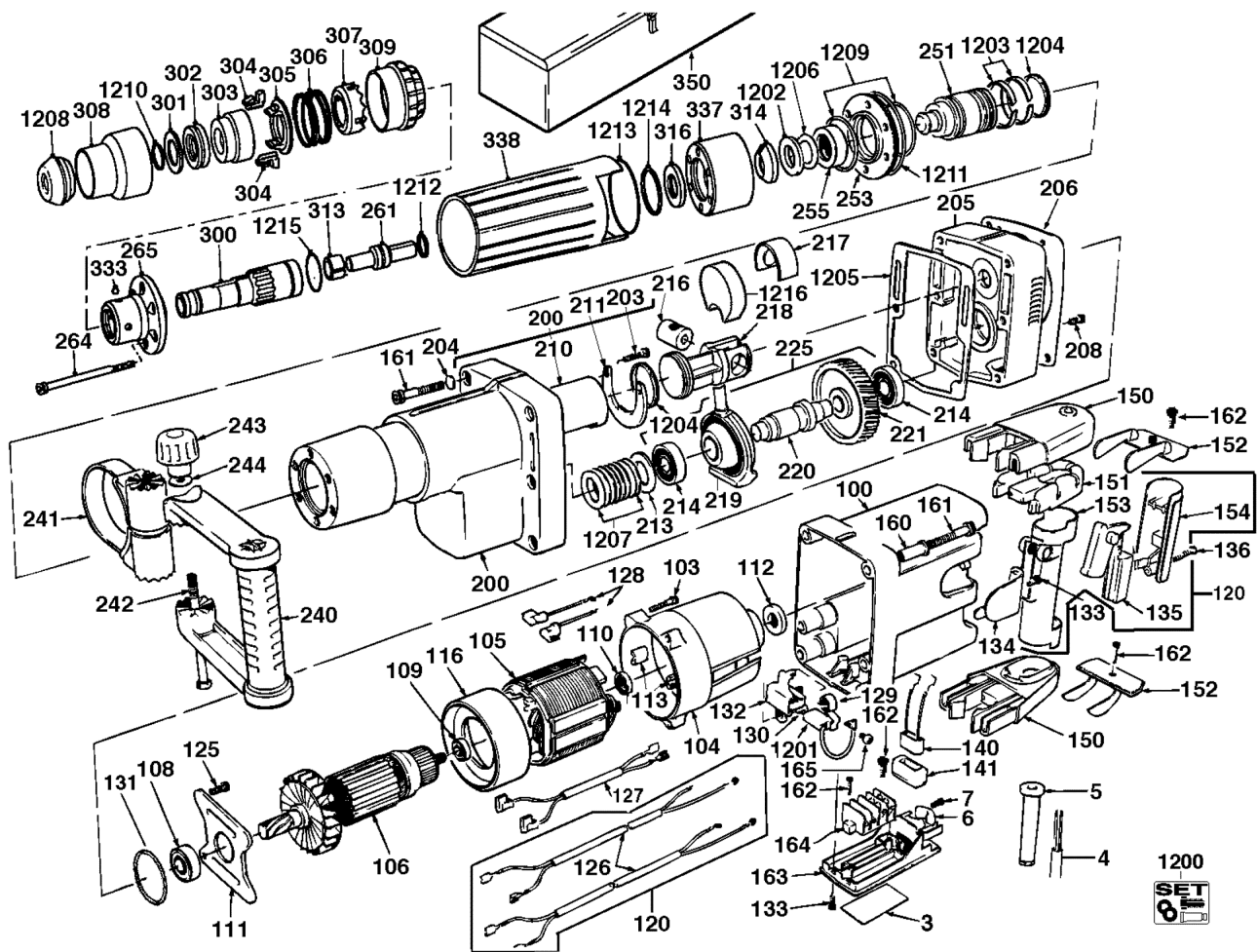


MARTEAU DEMOLISSEUR_1400S

4933392255 - 1400S BRAEKER - 4000392256



Position	Quantity	Description	Part number	EAN
0004 1	1	ANSCHLUSSLEITUNG	Item discontinued(9170299980)	
0005 2	1	CORD GUARD	Item discontinued(9170055430)	
0006 3	1	KABELKLEMME	Item discontinued(9170056490)	
0007 4	2	SCHRAUBE	Item discontinued(9170175610)	
0100 5	1	OTORGEHAEUSE MI-RT BEDRUCKT	Item discontinued(4931392232)	
0103 6	4	ISO 7380-2 SHR M5X30-010.9 SSI-A N877111	4931624075	4002395705429
0104 7	1	GEHAEUSE	Item discontinued(9170403100)	
0105 8	1	FELD F. ELEKTROMOTOR	Item discontinued(9170293990)	
0106 9	1	ANKER KOMPLETT	Item discontinued(9170306050)	
0108 10	1	LAGER	Item discontinued(9170021400)	
0109 11	1	RILLENKUGELLAGER	4931341740	4002395626991
0110 12	1	GUMMIBUCHSE	Item discontinued(9170403150)	
0111 13	1	BEARING CLAMP PLATE	Item discontinued(9170299410)	
0112 14	1	DAEMPfung	Item discontinued(9170288260)	
0113 15	2	GUMMI SCHLOSS	Item discontinued(9170270910)	
0116 16	1	LUFTFUEHRUNGSRING	Item discontinued(9170293410)	
0120 17	1	SCHALTER	Item discontinued(9170334070)	
0125 18	4	SCHRAUBE	4931379708	4002395687411
0126 19	2	LEAD SWITCH ASSY	Item discontinued(9170333750)	
0127 20	1	LEITUNG	Item discontinued(9170305380)	
0128 21	2	LEITUNG	Item discontinued(4931624066)	
0129 22	2	FEDER	Item discontinued(9170312480)	
0130 23	4	SCHRAUBE	Item discontinued(9170279750)	
0131 24	1	N874701 RDR 34,65X1,78 N NBR85	Item discontinued(4931624087)	
0132 25	2	BUERSTENHALTER	Item discontinued(9170305410)	
0133 26	4	SCHRAUBE	Item discontinued(4931624077)	
0134 27	2	ABDECKUNG	Item discontinued(4931382267)	
0135 28	1	SCHALTER	Item discontinued(4931374734)	
0136 29	1	SCHRAUBE	Item discontinued(9170250400)	
0140 30	1	CONDENSER	Item discontinued(9170202967)	
0141 31	1	HOLDER CONDENSER	Item discontinued(9170299290)	
0150 32	2	HANDGRIFFHALTER	Item discontinued(4931382264)	
0151 33	2	DAEMPfung	Item discontinued(9170291120)	
0152 34	2	STUETZE	Item discontinued(4931382265)	
0153 35	1	HANDGRIFF	Item discontinued(9170330440)	
0154 36	1	HANDGRIFFDECKEL	Item discontinued(9170330450)	
0160 37	6	INSERT	Item discontinued(9170403490)	
0161 38	12	SCHRAUBE	4931624074	4002395705412
0162 39	4	SCHRAUBE	Item discontinued(9170230070)	
0163 40	1	TRAEGER MI-RT	Item discontinued(4931382266)	
0164 41	1	KLEMMSTUECK	Item discontinued(9170293880)	
0165 42	2	SCHRAUBE	Item discontinued(9170019730)	
0200 43	1	HAMER CASE KIT MI-GR	Item discontinued(4931384152)	
0203 44	3	D 912 SHR M5X20-12.9SSI-A N877111	Item discontinued(4931624076)	
0204 45	6	WASHER 14,8X08,2X1,6 M8	Item discontinued(9170298960)	
0206 46	1	DICHTUNG	Item discontinued(9170307270)	
0208 47	2	SCHRAUBE D 912 M 5X12 SSI	Item discontinued(4931624094)	
0210 48	1	SPINDELHUELSE	Item discontinued(9170403360)	
0211 49	1	HALTER	Item discontinued(9170327730)	
0213 50	1	WASHER 39,7X20,0X2,35	Item discontinued(9170291070)	

Position	Quantity	Description	Part number	EAN
0214 51	2	KUGELLAGER	Item discontinued(9170291040)	
0216 52	1	GUDGEON PIN	Item discontinued(9170403380)	
0217 53	1	KLAMMER	Item discontinued(9170298290)	
0218 54	1	KOLBEN	Item discontinued(9170403370)	
0219 55	1	TAUMELTRIEB	Item discontinued(9170403020)	
0220 56	1	LAYSHAFT	Item discontinued(9170403340)	
0221 57	1	GETRIEB SATZ	Item discontinued(9170311510)	
0225 58	1	LAYSHAFT ASSY	Item discontinued(9170403540)	
0240 59	1	ZUSATZHANDGRIFF	Item discontinued(9170311140)	
0241 60	1	SPANNBLECHGEHAEUSE	Item discontinued(9170292620)	
0242 61	1	GEWINDEBOLZEN	Item discontinued(9170293890)	
0243 62	1	DREHKNOPF	Item discontinued(9170292670)	
0244 63	1	SCHEIBE	Item discontinued(9170293930)	
0251 64	1	STRIKER <SCHLAGKOERPER>	Item discontinued(9170403160)	
0253 65	1	SICHERUNGSRING	Item discontinued(9170291010)	
0255 66	1	GEHAEUSE	Item discontinued(9170299570)	
0261 67	1	ANVIL	Item discontinued(9170350291)	
0264 68	6	D 912 SHR M8X80-12.9 SSI-A N877111	Item discontinued(4931624073)	
0265 69	1	NOSEPIECE	Item discontinued(9170350277)	
0300 70	1	MEISSELAUFNHME	Item discontinued(9170350269)	
0301 71	1	DAEMPUNGSELEMENT	4931409820	4002395834778
0302 72	1	DAEMPUNGSRING	4931375775	4002395739943
0303 73	1	HUELSE	Item discontinued(4931384854)	
0304 74	2	RIEGEL	Item discontinued(9170350257)	
0305 75	1	LATCH PLATE	Item discontinued(9170324210)	
0306 76	1	SPRING LATCH	Item discontinued(9170350273)	
0307 77	1	LOCK PLATE	Item discontinued(9170350272)	
0308 78	1	HUELSE	Item discontinued(9170350258)	
0309 79	1	VERSCHLUSS	Item discontinued(9170350270)	
0313 80	1	DISTANZRING	Item discontinued(9170350271)	
0314 81	1	RECOIL TRANSFER RING	Item discontinued(9170350310)	
0316 82	1	DISTANZRING	Item discontinued(9170350309)	
0333 83	4	KUGEL	Item discontinued(9170350391)	
0337 84	1	HOUSING TRANSMITTER	Item discontinued(9170350292)	
0338 85	1	NOSE COVER	Item discontinued(9170350296)	
1200 86	1	WARTUNGSSET	Item discontinued(9170324980)	
1201 87	1	KOHLEBUERSTEN-SET	Item discontinued(4931392566)	
1202 88	1	DISTANZRING	Item discontinued(4931379309)	
1203 89	2	KLAMMER	Item discontinued(9170306140)	
1204 90	2	DICHTRING	Item discontinued(9170403290)	
1205 91	1	DICHTUNG	Item discontinued(9170403460)	
1206 92	1	GUMMIRING	Item discontinued(9170015940)	
1207 93	8	TELLERFEDER	Item discontinued(9170291060)	
1208 94	1	ABSCHLUSSKAPPE	9170350243	4002395577330
1209 95	2	O-RING	Item discontinued(9170293740)	
1210 96	1	SPRENGRING	9170319040	4002395571895
1211 97	1	O-RING	Item discontinued(9170293760)	
1212 98	1	DICHTUNG	Item discontinued(9170293770)	
1213 99	1	O-RING	Item discontinued(9170350390)	
1214 100	1	O-RING	Item discontinued(9170350311)	

Position	Quantity	Description	Part number	EAN
1215 101	1	O-RING	Item discontinued(9170324250)	
1216 102	1	EINSATZ	Item discontinued(9170319880)	