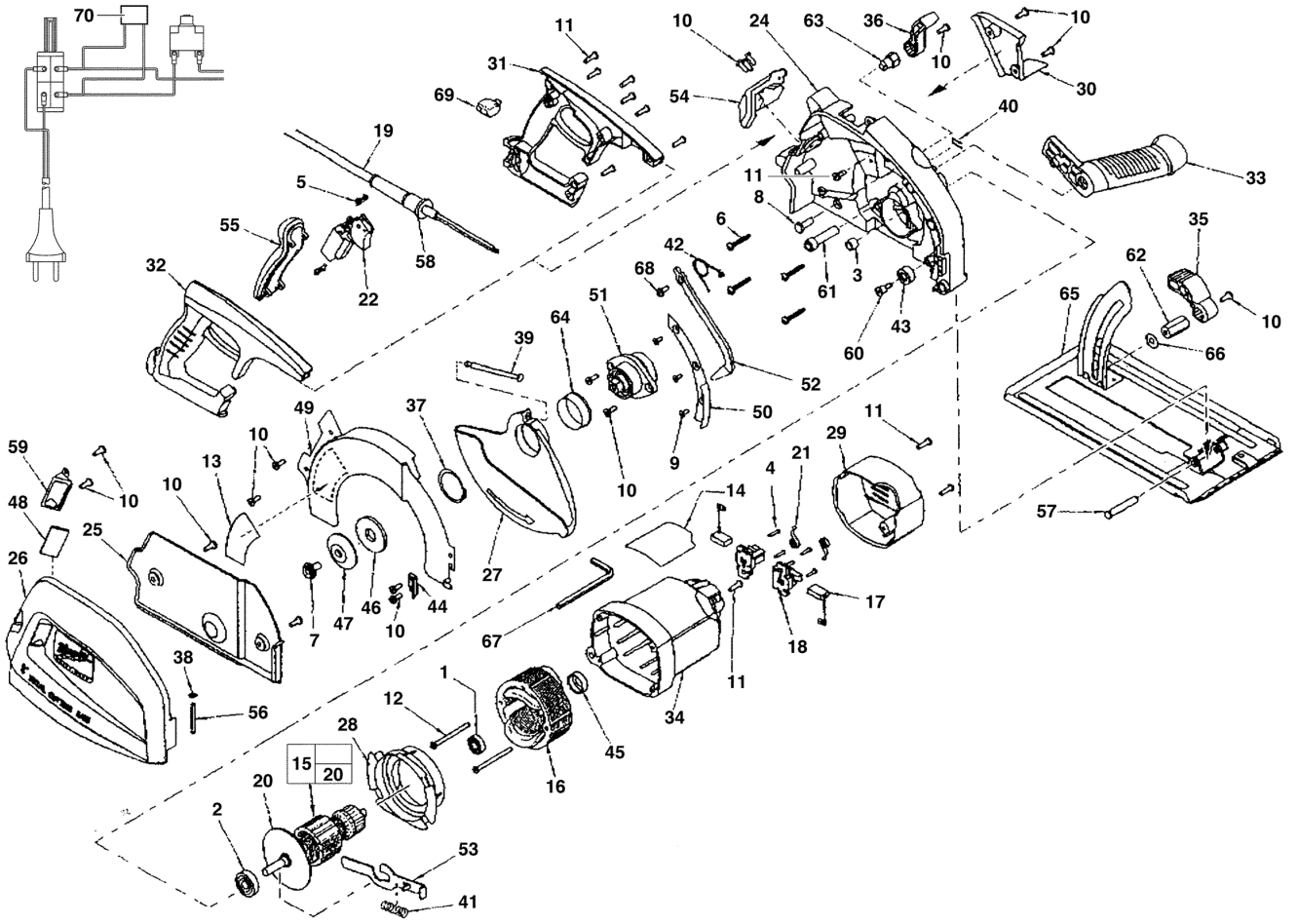


MCS65 METALLHANDKREISSAEGE IN2

4933393325 - MCS65 - 4000393326





Position	Quantity	Description	Part number	EAN
0001 1	1	LAGER	Item discontinued(4931393725)	
0002 2	1	LAGER	Item discontinued(4931393726)	
0003 3	1	NADELLAGER	Item discontinued(4931393727)	
0004 4	4	SCHRAUBE	Item discontinued(4931393728)	
0005 5	4	SCHRAUBE	Item discontinued(4931393729)	
0006 6	4	SCHRAUBE	Item discontinued(4931393730)	
0007 7	1	SCHRAUBE	Item discontinued(4931393731)	
0008 8	1	SCHRAUBE	Item discontinued(4931393732)	
0009 9	3	SCHRAUBE	Item discontinued(4931393733)	
0010 10	15	SCHRAUBE	Item discontinued(4931393734)	
0011 11	13	SCHRAUBE	Item discontinued(4931393735)	
0012 12	2	SCHRAUBE	Item discontinued(4931393736)	
0013 13	1	WARNSCHILD	Item discontinued(4931393737)	
0014 14	1	FIRMENSCHILD	Item discontinued(4931393738)	
0015 15	1	ANKER F.ELEKTROMOTOR	Item discontinued(4931393739)	
0016 16	1	FELD F. ELEKTROMOTOR	Item discontinued(4931393740)	
0017 17	2	KOHLEBUERSTE	Item discontinued(4931393741)	
0018 18	2	BUERSTENHALTER	Item discontinued(4931393742)	
0019 19	1	KABEL	Item discontinued(4931393743)	
0020 20	1	LUEFTER	Item discontinued(4931393744)	
0021 21	2	BUERSTENFEDER	Item discontinued(4931393745)	
0022 22	1	SCHALTER	Item discontinued(4931393746)	
0024 23	1	GETRIEBEPLATTE	Item discontinued(4931393748)	
0025 24	1	Getriebekasten-Abdeckung	Item discontinued(4931393749)	
0026 25	1	ABDECKUNG	Item discontinued(4931393750)	
0027 26	1	SCHUTZ	Item discontinued(4931393751)	
0028 27	1	VENTILATOR	Item discontinued(4931393752)	
0029 28	1	MOTORABDECKUNG	Item discontinued(4931393753)	
0030 29	1	VERDRAHTUNG	Item discontinued(4931393754)	
0031 30	1	HANDGRIFFHAELFTE LI	Item discontinued(4931393755)	
0032 31	1	HANDGRIFFHAELFTE RE	Item discontinued(4931393756)	
0033 32	1	GRIFF	Item discontinued(4931393757)	
0034 33	1	MOTORHOUSING	Item discontinued(4931393758)	
0035 34	1	HEBEL	Item discontinued(4931393759)	
0036 35	1	SCHUTZ	Item discontinued(4931393760)	
0037 36	1	SICHERUNGSRING	Item discontinued(4931393761)	
0038 37	1	RING	Item discontinued(4931393762)	
0039 38	1	FEDER	Item discontinued(4931393763)	
0040 39	1	SCHLUESSEL	Item discontinued(4931393764)	
0041 40	1	SPINDELARRETIERUNG	Item discontinued(4931393765)	
0042 41	1	DREHFEDER	Item discontinued(4931393766)	
0043 42	1	ANSCHLAG	Item discontinued(4931393767)	
0044 43	1	CLIP	Item discontinued(4931393768)	
0045 44	1	LAGER	Item discontinued(4931393769)	
0046 45	1	FLANSCH	Item discontinued(4931393770)	
0047 46	1	FLANSCH	Item discontinued(4931393771)	
0048 47	1	GLAS	Item discontinued(4931393772)	
0049 48	1	ABDECKUNG	Item discontinued(4931393773)	
0050 49	1	SPANLEITKLAPPE	Item discontinued(4931393774)	
0051 50	1	NABE	Item discontinued(4931393775)	

Position	Quantity	Description	Part number	EAN
0052 51	1	SCHUTZ	Item discontinued(4931393776)	
0053 52	1	SPINDEL	Item discontinued(4931393777)	
0054 53	1	RIEGEL	Item discontinued(4931393778)	
0055 54	1	GRIFF	Item discontinued(4931393779)	
0056 55	1	STIFT	Item discontinued(4931393780)	
0057 56	1	STIFT	Item discontinued(4931393781)	
0058 57	1	KABELSCHUTZSCHLAUCH	Item discontinued(4931393782)	
0059 58	1	RAHMEN	Item discontinued(4931393783)	
0060 59	1	ANSCHLAG	Item discontinued(4931393784)	
0061 60	1	BOLZEN	Item discontinued(4931393785)	
0062 61	1	SCHAFT	Item discontinued(4931393786)	
0063 62	1	SCHAFT	Item discontinued(4931393787)	
0064 63	1	HUELSE	Item discontinued(4931393788)	
0065 64	1	GRUNDPLATTE	Item discontinued(4931393789)	
0066 65	1	SCHEIBE	Item discontinued(4931393790)	
0067 66	1	SKT-STIFTSCHLUESSEL	Item discontinued(4931616068)	
0068 67	1	SCHRAUBE	Item discontinued(4931393792)	
0069 68	1	SCHALTER	Item discontinued(4931393793)	
0070 69	1	ENTSTOERKONDENSATOR	Item discontinued(4931393794)	
0700 70	1	TRANSPORTKOFFER	Item discontinued(4931393327)	