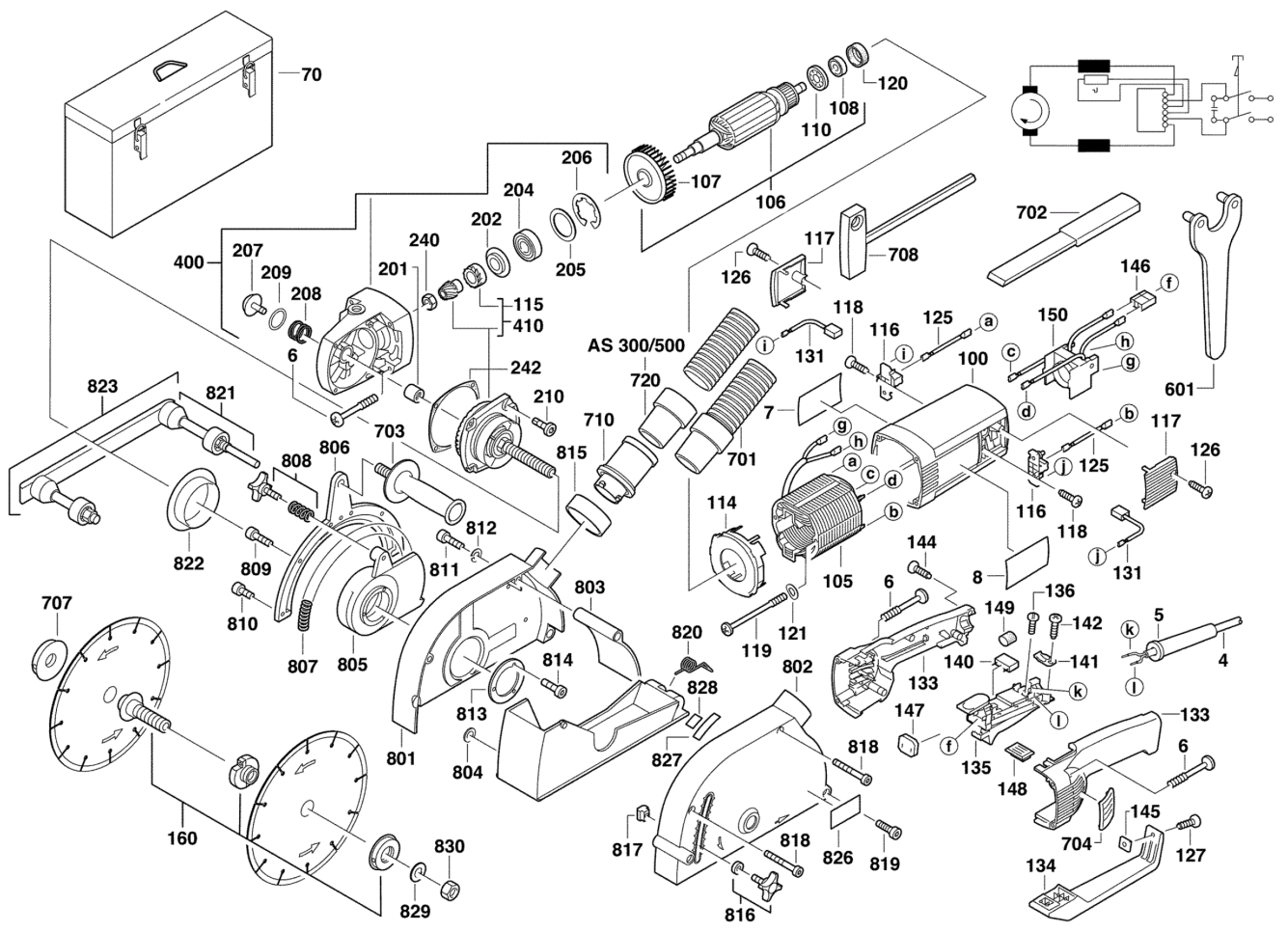


# WCE65 MAUERNUTFRAESE IN2

4933385125 - WCE65/0 - 4000393367





| Position | Quantity | Description                | Part number                   | EAN           |
|----------|----------|----------------------------|-------------------------------|---------------|
| 0004 1   | 1        | ANSCHLUSSLEITUNG           | 4931455392                    | 4002395174911 |
| 0005 2   | 1        | KABELSCHUTZSCHLAUCH        | 4931217556                    | 4002395583676 |
| 0006 3   | 8        | SCHRAUBE                   | 4931622765                    | 4002395699094 |
| 0007 4   | 1        | LEISTUNGSSCHILD            | 4931449127                    | 4002395252602 |
| 0008 5   | 1        | TYPENSCHILD                | 4931378792                    | 4002395684694 |
| 0100 6   | 1        | MOTORGEHAEUSE MI-RT        | 4931362790                    | 4002395661602 |
| 0105 7   | 1        | FELD F. ELEKTROMOTOR       | 4931426643                    | 4002395896875 |
| 0106 8   | 1        | ANKER F.ELEKTROMOTOR       | 4931426282                    | 4002395850143 |
| 0107 9   | 1        | VENTILATOR                 | 4931334394                    | 4002395615940 |
| 0108 10  | 1        | D 625 KULA 609-2Z C3 LDS18 | 4931341741                    | 4002395627004 |
| 0110 11  | 1        | DICHTRING                  | Item discontinued(4931329084) |               |
| 0114 12  | 1        | LUFTFUEHRUNGSRING          | 4931326156                    | 4002395607433 |
| 0115 13  | 1        | FETTFANGSCHEIBE            | 4931329118                    | 4002395610433 |
| 0116 14  | 2        | BUERSTENHALTER             | 4931381694                    | 4002395780303 |
| 0117 15  | 2        | DECKEL                     | 4931378798                    | 4002395684717 |
| 0118 16  | 2        | SCHRAUBE                   | 4931624538                    | 4002395760039 |
| 0119 17  | 2        | SCHRAUBE                   | 4931331734                    | 4002395613755 |
| 0120 18  | 1        | GUMMIBUCHSE                | 4931329086                    | 4002395610396 |
| 0121 19  | 2        | FEDERSCHEIBE               | 4931619992                    | 4002395695232 |
| 0125 20  | 2        | LEITUNG                    | Item discontinued(4931622831) |               |
| 0126 21  | 3        | SCHRAUBE                   | 4931624537                    | 4002395760022 |
| 0127 22  | 1        | SCHRAUBE                   | Item discontinued(4931622933) |               |
| 0131 23  | 1        | KOHLEBUERSTEN-SET          | 4931369479                    | 4002395673490 |
| 0133 24  | 1        | HANDGRIFF                  | Item discontinued(4931383034) |               |
| 0134 25  | 1        | BUEGEL                     | 4931383035                    | 4002395692309 |
| 0135 26  | 1        | SCHALTER                   | 4931383044                    | 4002395692316 |
| 0136 27  | 2        | SCHRAUBE                   | 4931940611                    | 4002395706914 |
| 0140 28  | 1        | KONDENSATOR                | 4931329272                    | 4002395610600 |
| 0141 29  | 1        | KABELSCHELLE               | 4931329273                    | 4002395610617 |
| 0142 30  | 1        | SCHRAUBE                   | 4931624537                    | 4002395760022 |
| 0144 31  | 5        | SCHRAUBE                   | 4931624515                    | 4002395757367 |
| 0145 32  | 1        | KLEMMSTUECK                | 4931300231                    | 4002395590988 |
| 0146 33  | 1        | SCHALTERKULISSE            | 4931329171                    | 4002395610501 |
| 0147 34  | 1        | DICHTRING                  | Item discontinued(4931329503) |               |
| 0148 35  | 1        | STUETZE                    | 4931329122                    | 4002395610440 |
| 0149 36  | 1        | FEDER                      | Item discontinued(4931341889) |               |
| 0150 37  | 1        | ELECTRONIK-BAUSTEIN        | 4931369589                    | 4002395673681 |
| 0160 38  | 1        | SPANNEINRICHTUNG           | 4931449451                    | 4002395172863 |
| 0201 39  | 1        | HUELSE                     | 4931621981                    | 4002395696512 |
| 0202 40  | 1        | SCHEIBE                    | 4931621629                    | 4002395695720 |
| 0204 41  | 1        | KUGELLAGER                 | 4931624305                    | 4002395738595 |
| 0205 42  | 1        | SCHEIBE                    | 4931622897                    | 4002395699636 |
| 0206 43  | 1        | SPERRING                   | 4931334400                    | 4002395615971 |
| 0207 44  | 1        | ARRETIERBOLZEN             | 4931329107                    | 4002395610426 |
| 0208 45  | 1        | DRUCKFEDER                 | 4931329173                    | 4002395610518 |
| 0209 46  | 1        | O-RING                     | 4931622764                    | 4002395699087 |
| 0210 47  | 4        | SCHRAUBE                   | 4931624147                    | 4002395711055 |
| 0240 48  | 1        | MUTTER                     | 4931329494                    | 4002395610693 |
| 0242 49  | 1        | DICHTUNG                   | 4931329150                    | 4002395610488 |
| 0400 50  | 1        | GETRIEBEKASTEN             | 4931378799                    | 4002395684724 |

| Position | Quantity | Description                              | Part number                   | EAN           |
|----------|----------|--|-------------------------------|---------------|
| 0410 51  | 1        | ANTRIEB                                  | 4931362581                    | 4002395661152 |
| 0708 52  | 1        | T-SCHLUESSEL                             | 4931362928                    | 4002395661879 |
| 0720 53  | 1        | WERKZEUGADAPTER                          | 4931419658                    | 4002395840359 |
| 0801 54  | 1        | ABSAUGHAUBE                              | Item discontinued(4931362535) |               |
| 0802 55  | 1        | ABSAUGHAUBE                              | Item discontinued(4931362536) |               |
| 0803 56  | 1        | LUFTLEITBLECH                            | Item discontinued(4931362537) |               |
| 0804 57  | 1        | HOEHENSCHIEBER                           | Item discontinued(4931362540) |               |
| 0805 58  | 1        | MONTAGEHALTER                            | Item discontinued(4931362544) |               |
| 0806 59  | 1        | FEDERFUEHRUNG                            | Item discontinued(4931362548) |               |
| 0807 60  | 1        | DRUCKFEDERSTRANG                         | Item discontinued(4931362973) |               |
| 0808 61  | 1        | FESTSTELLSCHRAUBE                        | Item discontinued(4931362597) |               |
| 0809 62  | 6        | SCHRAUBE                                 | 4931606842                    | 4002395693801 |
| 0810 63  | 4        | SCHRAUBE                                 | 4931614786                    | 4002395694266 |
| 0811 64  | 1        | SCHRAUBE                                 | Item discontinued(4931623800) |               |
| 0812 65  | 1        | FEDERRING                                | 4931623799                    | 4002395703968 |
| 0813 66  | 1        | HALTESCHEIBE                             | Item discontinued(4931362549) |               |
| 0814 67  | 3        | SCHRAUBE                                 | 4931614786                    | 4002395694266 |
| 0815 68  | 1        | SCHLAUCHKUPPLUNG                         | Item discontinued(4931362598) |               |
| 0816 69  | 1        | STERNGRIFF                               | 4931334713                    | 4002395616381 |
| 0817 70  | 1        | SCHRAUBE                                 | Item discontinued(4931623754) |               |
| 0818 71  | 2        | SCHRAUBE                                 | 4931623802                    | 4002395703999 |
| 0819 72  | 1        | SCHRAUBE                                 | 4931622928                    | 4002395699735 |
| 0820 73  | 1        | SCHENKELFEDER                            | Item discontinued(4931362937) |               |
| 0821 74  | 1        | STUETZROLLE                              | Item discontinued(4931362616) |               |
| 0822 75  | 1        | ISOLIERBUCHSE                            | Item discontinued(4931362599) |               |
| 0823 76  | 1        | PARALLELFUEHRUNG DME65                   | Item discontinued(4931362775) |               |
| 0826 77  | 1        | FIRMENSCHILD                             | 4931383017                    | 4002395692286 |
| 0827 78  | 1        | SCHILD                                   | 4931334659                    | 4002395616305 |
| 0828 79  | 1        | SCHILD                                   | 4931334660                    | 4002395616312 |
| 0829 80  | 1        | SCHEIBE                                  | 4931623798                    | 4002395703951 |
| 0830 81  | 1        | MUTTER                                   | 4931617200                    | 4002395694730 |
| 0070 82  | 1        | TRANSPORTKASTEN DME65 SW                 | 4932383040                    | 4002395349456 |
| 0601 83  | 1        | STIRNLOCHSCHLUESSEL GERADE B35 D3116     | 4932367712                    | 4002395338467 |
| 0701 84  | 1        | TUYAU ASPIRATION 4M                      | 4932334704                    |               |
| 0702 85  | 1        | AUSBRECHWERKZEUG DME P1 AEG              | Item discontinued(4932371358) |               |
| 0703 86  | 1        | HANDGRIFF 180-230/WP/WSA P1A/M           | 4931433531                    | 4002395889259 |
| 0704 87  | 1        | STAUBSCHUTZGITTER (2) WS180-230          | 4932326525                    | 4002395303311 |
| 0707 88  | 1        | SPANNFLANSCH FUeR WINKELSCHLEIFER        | 4932449324                    | 4002395245185 |
| 0710 89  | 1        | SAUGSCHLAUCHADAPTER FUeR MAUERNUTFRAeSEN | 4932362778                    | 4002395334285 |