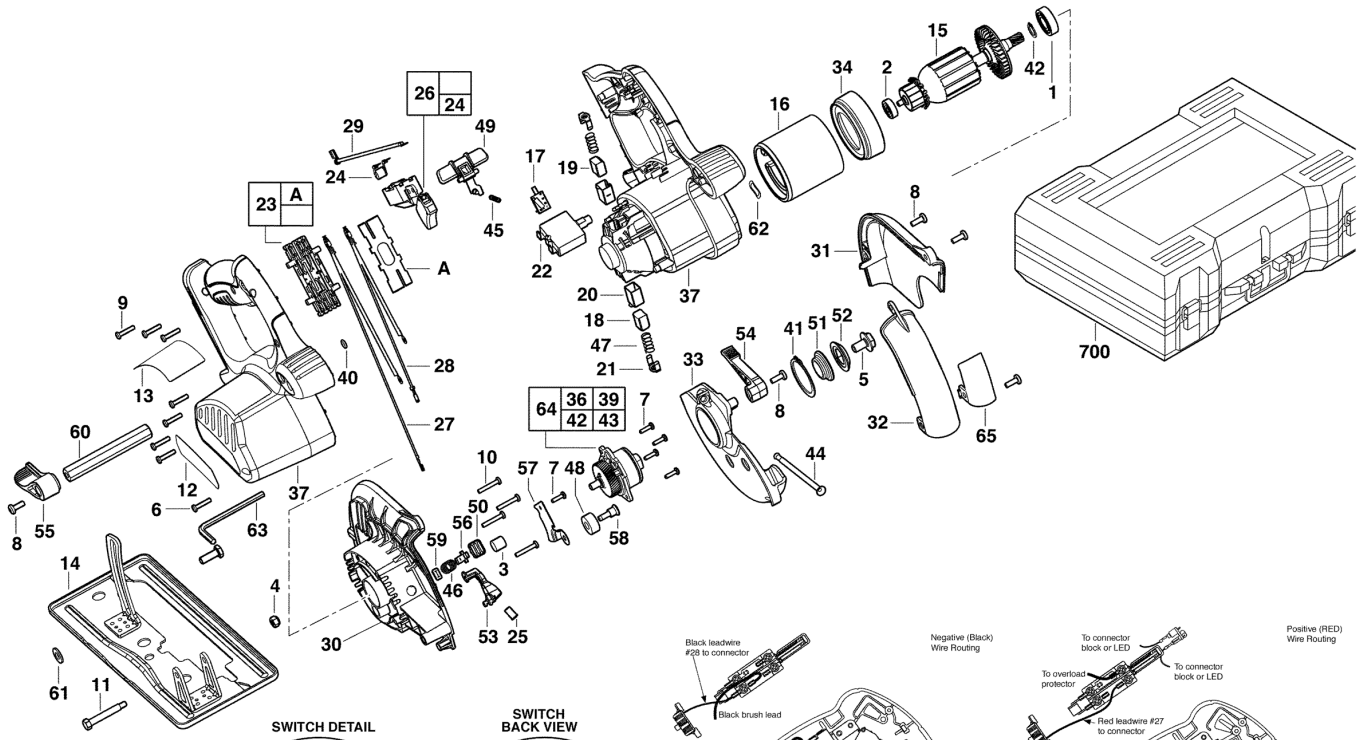


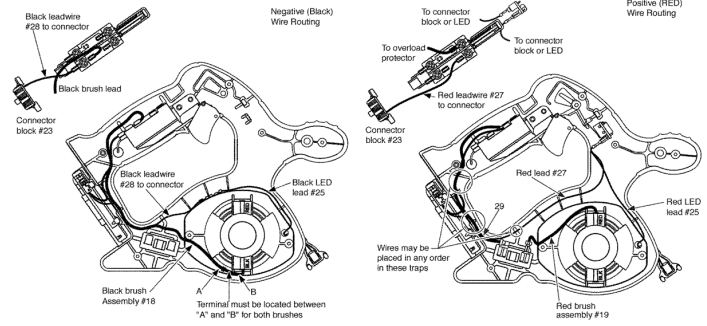
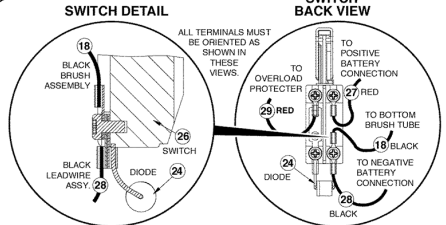
V28MS AKKU-METALLKREISSAEGE IN2

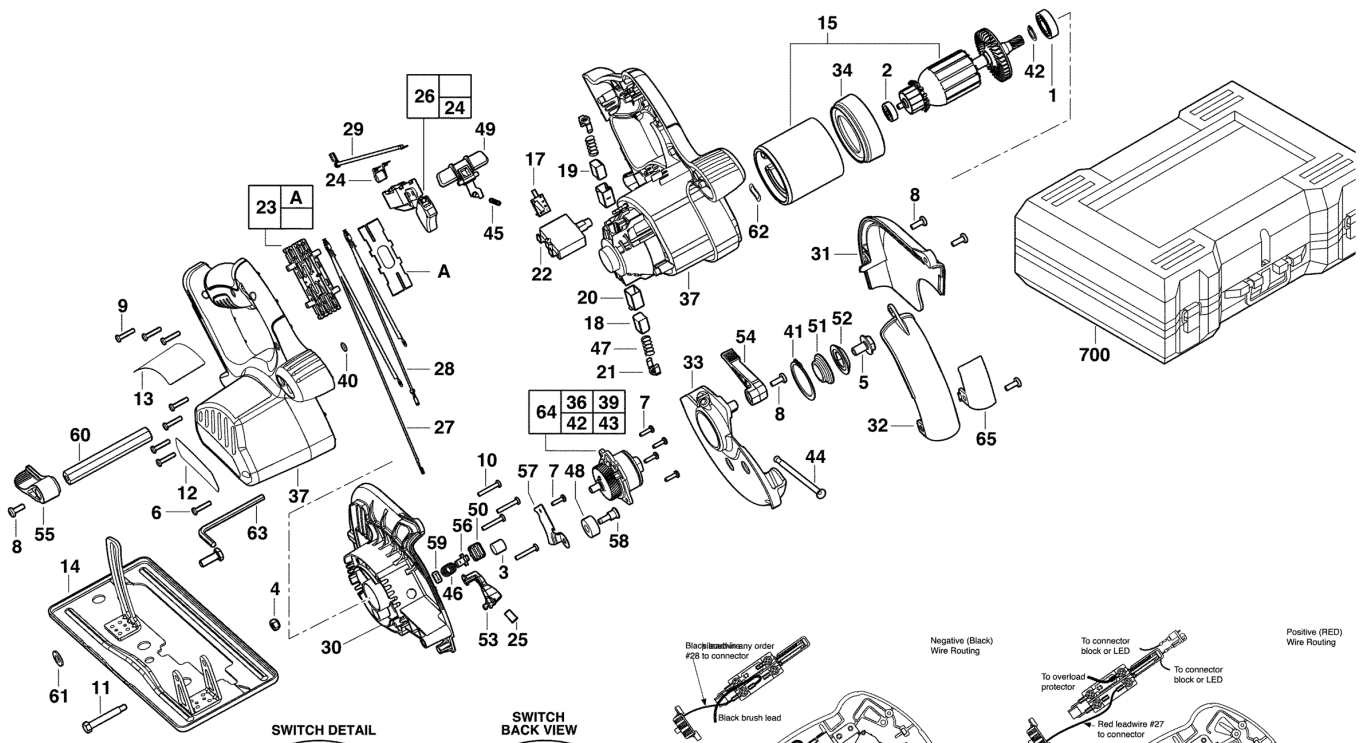
4933401435 - V28MS - 4000393910



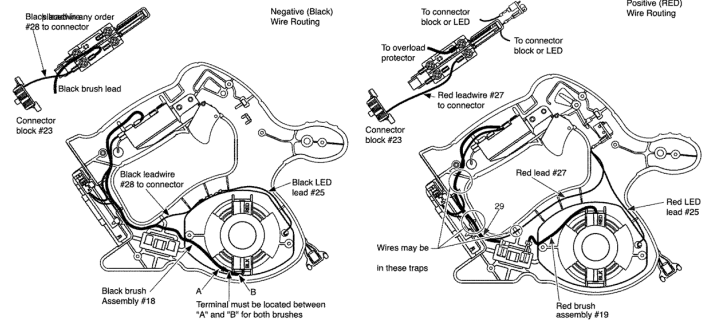
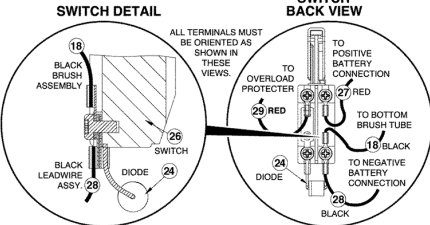


⚠ WARNING
SWITCH AND DIODE
ARE POLARITY
SENSITIVE
 If wired incorrectly, switch and diode **will**
 be damaged and destroyed!





⚠ WARNING
SWITCH AND DIODE ARE POLARITY SENSITIVE
 If wired incorrectly, switch and diode will be damaged and destroyed!



Position	Quantity	Description	Part number	EAN
0012 1	1	SCHILD	Item discontinued(10202880)	
0013 2	1	FIRMENSCHILD	Item discontinued(12200980)	
0014 3	1	ABSTANDSHALTER	Item discontinued(14740400)	
0015 4	1	ANKER F.ELEKTROMOTOR	4931445578	4002395173822
0016 5	1	FELD F. ELEKTROMOTOR	Item discontinued(18012000)	
0017 6	1	ELEKTRONIK	Item discontinued(22091075)	
0018 7	1	KOHLEBUERSTE	22181245	4058546069919
0019 8	1	KOHLEBUERSTEN-SET	22181250	4002395773909
0020 9	2	BUERSTENHALTER	22200425	4058546069957
0021 10	2	FEDERKLEMME	22320420	4058546070045
0022 11	1	SCHUTZ	Item discontinued(22360230)	
0023 12	1	VERBINDUNGSSTUECK	22560975	4058546070199
0024 13	1	WIDERSTAND	22740510	4058546070311
0025 14	1	BIRNE	Item discontinued(23280175)	
0026 15	1	SCHALTER	23661005	4058546070519
0027 16	1	LEITUNG	23942680	4002395774180
0028 17	1	LEITUNG	23942690	4002395774197
0029 18	1	Leitung	23942700	4002395774203
0030 19	1	GETRIEBEGEHAEUSE	28140795	4058546070908
0031 20	1	DECKEL	Item discontinued(28201174)	
0032 21	1	DECKEL	28410945	4058546071134
0033 22	1	DECKEL	Item discontinued(28411090)	
0034 23	1	LUFTFUEHRUNGSRING	31050350	4058546071257
0036 24	1	DECKEL	Item discontinued(31150601)	
0037 25	1	HANDGRIFF KOMPL.	Item discontinued(201415001)	
0039 26	1	SPINDELRAD	Item discontinued(32751371)	
0040 27	1	O-RING	34404480	4058546072193
0041 28	1	DRUCKRING	34600860	4058546072247
0042 29	2	BEFEST.-RING	34600920	4058546072261
0043 30	1	SPINDEL	Item discontinued(38501160)	
0044 31	1	FEDER	40500045	4058546072674
0045 32	1	FEDER	40500350	4058546072735
0046 33	1	DRUCKFEDER	40508040	4058546072803
0047 34	2	FEDER	40508745	4058546072865
0048 35	1	SCHUTZ	42380222	4058546073053
0049 36	1	SCHALTER	Item discontinued(42421025)	
0050 37	1	DRUECKER	42421030	4058546073121
0051 38	1	FLANSCH	Item discontinued(43340920)	
0052 39	1	FLANSCH	43340795	4058546073404
0053 40	1	HALTER	43720600	4002395775033
0054 41	1	ANSCHLAG	44100420	4058546073756
0055 42	1	ANSCHLAG	44100430	4058546073763
0056 43	1	ARRETIERSTUECK	44200650	4058546073800
0057 44	1	PLATTE	Item discontinued(44660845)	
0058 45	1	SCHRAUBE	Item discontinued(45040485)	
0059 46	1	FILZDICHTUNG	45060720	4058546074364
0060 47	1	WELLE	45080395	4058546074395
0061 48	1	SCHEIBE	45881545	4058546074821
0062 49	1	SCHEIBE	45885615	4058546074883
0063 50	1	SCHLUESSEL	49960080	45242221608

Position	Quantity	Description	Part number	EAN
0064 51	1	GETRIEBE	14462570	4002395773640
0065 52	1	SPAENEABWEISER	31550350	4002395774661
0700 53	1	TRANSPORTKOFFER	201552002	4002395837144