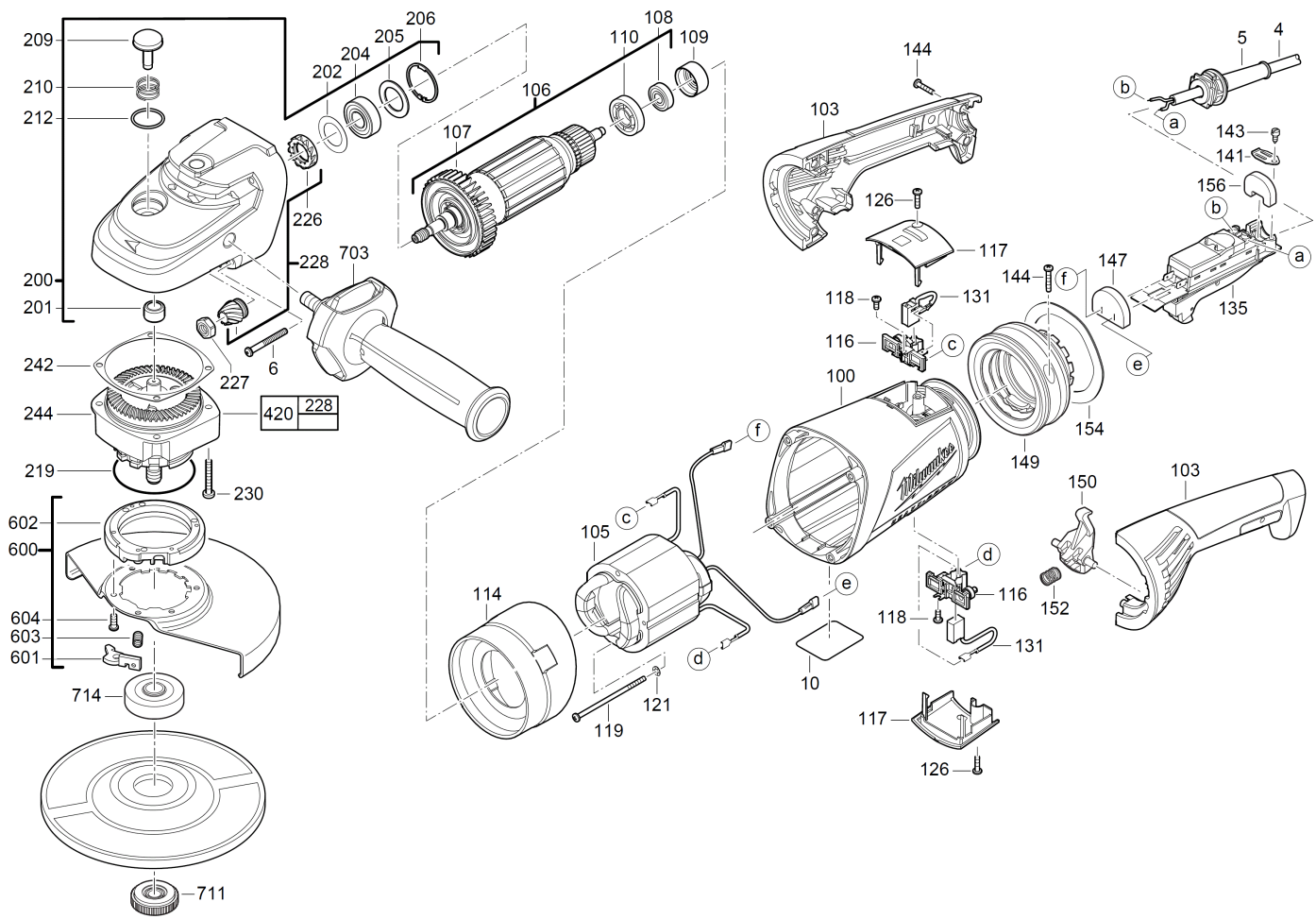


# AGVM24-230GEX"DMS 220-240V GB -60HZ

4933402485 - AGVM24-230GEX - 4000402663





| Position | Quantity | Description                        | Part number                   | EAN           |
|----------|----------|------------------------------------|-------------------------------|---------------|
| 0004 1   | 1        | ANSCHLUSSLEITUNG                   | 4931417114                    | 4002395824953 |
| 0005 2   | 1        | KABELSCHUTZSCHLAUCH                | 4931387206                    | 4002395746798 |
| 0006 3   | 4        | SCHRAUBE                           | 4931622765                    | 4002395699094 |
| 0010 4   | 1        | LEISTUNGSSCHILD                    | Item discontinued(4931402664) |               |
| 0100 5   | 1        | MOTORGEHAEUSE MILW 53              | 4931402268                    | 4002395766086 |
| 0103 6   | 1        | SCHALTERGRIFF                      | 4931402176                    | 4002395764143 |
| 0105 7   | 1        | FELD F. ELEKTROMOTOR               | 4931442754                    | 4002395885206 |
| 0106 8   | 1        | ANKER VOLLST 53X70 220-240V12/2007 | 4931442695                    | 4002395883752 |
| 0107 9   | 1        | VENTILATOR                         | 4931334394                    | 4002395615940 |
| 0108 10  | 1        | KUGELLAGER                         | 4931341741                    | 4002395627004 |
| 0109 11  | 1        | GUMMIBUCHSE                        | 4931329086                    | 4002395610396 |
| 0110 12  | 1        | DICHTRING                          | 4931402219                    | 4002395766123 |
| 0114 13  | 1        | LUFTFUEHRUNGSRING MILW 53          | 4931402269                    | 4002395766093 |
| 0116 14  | 2        | BUERSTENHALTER                     | 4931381694                    | 4002395780303 |
| 0117 15  | 2        | DECKEL                             | 4931402169                    | 4002395763252 |
| 0118 16  | 2        | SCHRAUBE                           | 4931624538                    | 4002395760039 |
| 0119 17  | 2        | SCHRAUBE                           | 4931331734                    | 4002395613755 |
| 0121 18  | 2        | FEDERSCHEIBE                       | 4931619992                    | 4002395695232 |
| 0126 19  | 3        | SCHRAUBE                           | 4931624537                    | 4002395760022 |
| 0131 20  | 1        | KOHLEBUERSTEN-SET                  | 4931395107                    | 4002395780518 |
| 0135 21  | 1        | SCHALTER                           | 4931476614                    | 4058546391430 |
| 0141 22  | 1        | KABELSCHELLE                       | 4931329273                    | 4002395610617 |
| 0143 23  | 1        | SCHRAUBE                           | 4931624537                    | 4002395760022 |
| 0144 24  | 6        | SCHRAUBE                           | 4931618253                    | 4002395694945 |
| 0147 25  | 1        | STAUBDICHTUNG                      | 4931402013                    | 4002395758302 |
| 0149 26  | 1        | DAEMPfung                          | Item discontinued(4931402283) |               |
| 0150 27  | 1        | RIEGEL                             | 4931402230                    | 4002395765805 |
| 0152 28  | 1        | DRUCKFEDER                         | 4931402039                    | 4002395758630 |
| 0154 29  | 1        | FEDERSCHEIBE                       | 4931402029                    | 4002395758616 |
| 0156 30  | 1        | STAUBDICHTUNG                      | 4931402286                    | 4002395764754 |
| 0200 31  | 1        | GETRIEBEKASTEN                     | 4931402161                    | 4002395765812 |
| 0201 32  | 1        | HUELSE                             | 4931621981                    | 4002395696512 |
| 0202 33  | 1        | SCHEIBE                            | 4931621629                    | 4002395695720 |
| 0204 34  | 1        | KUGELLAGER                         | 4931624305                    | 4002395738595 |
| 0205 35  | 1        | SCHEIBE                            | 4931622897                    | 4002395699636 |
| 0206 36  | 1        | SPERRING                           | 4931334400                    | 4002395615971 |
| 0209 37  | 1        | ARRETIERBOLZEN                     | 4931402166                    | 4002395763191 |
| 0210 38  | 1        | DRUCKFEDER                         | 4931329173                    | 4002395610518 |
| 0212 39  | 1        | O-RING                             | 4931622764                    | 4002395699087 |
| 0219 40  | 1        | DICHTRING                          | 4931624672                    | 4002395791187 |
| 0226 41  | 1        | FETTFANGSCHEIBE                    | 4931329178                    | 4002395758258 |
| 0227 42  | 1        | MUTTER                             | 4931329494                    | 4002395610693 |
| 0228 43  | 1        | RITZEL                             | 4931455623                    | 4002395177882 |
| 0230 44  | 4        | SCHRAUBE                           | 4931624147                    | 4002395711055 |
| 0242 45  | 1        | DICHTUNG                           | 4931329150                    | 4002395610488 |
| 0244 46  | 1        | ANTRIEB                            | Item discontinued(4931402148) |               |
| 0420 47  | 1        | REPARATURSATZ                      | 4931455623                    | 4002395177882 |
| 0600 48  | 1        | SCHUTZHAUBE                        | 4931426625                    | 4002395856473 |
| 0601 49  | 1        | RASTHEBEL                          | 201256002                     | 4002395801725 |
| 0602 50  | 1        | FLANSCH                            | 4931402063                    | 4002395758203 |

| <b>Position</b> | <b>Quantity</b> | <b>Description</b> | <b>Part number</b> | <b>EAN</b>    |
|-----------------|-----------------|--------------------|--------------------|---------------|
| 0603 51         | 1               | DRUCKFEDER         | 4931402089         | 4002395758234 |
| 0604 52         | 5               | SCHRAUBE           | 4931624491         | 4002395758142 |
| 0703 53         | 1               | HANDGRIFF          | 4931398251         | 4002395764891 |
| 0711 54         | 1               | FIXTEC-MUTTER      | 4931468392         | 4058546320768 |
| 0714 55         | 1               | AUTOBALANCER       | 4931402435         | 4002395766475 |