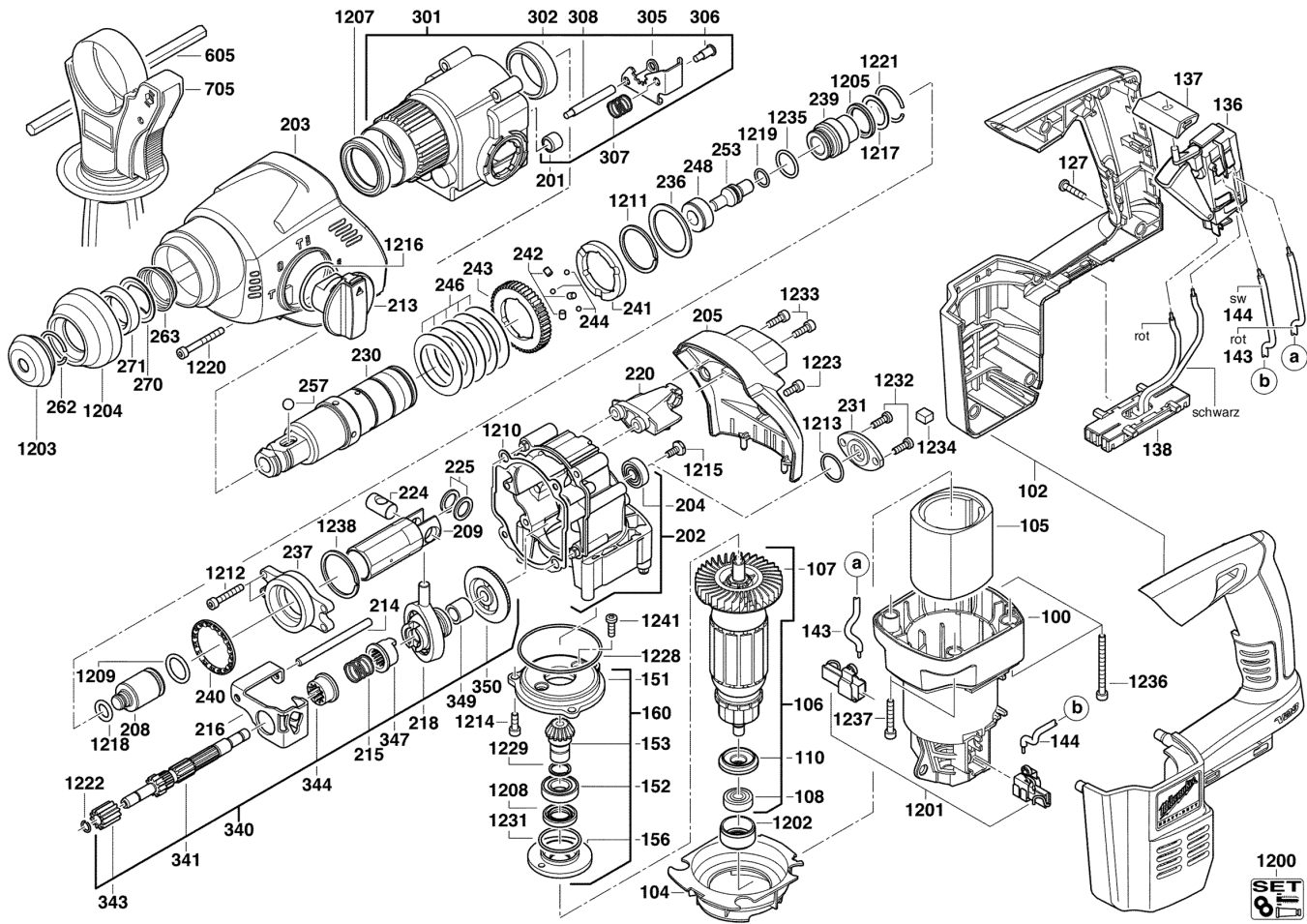


**0756-9(V28H) AK-BOHRHAMMER MILW XXX**

**4933396241 - 0756-9 (V28H) - 4000405961**



| Position | Quantity | Description          | Part number                   | EAN           |
|----------|----------|----------------------|-------------------------------|---------------|
| 0100 1   | 1        | MOTORGEHAEUSE MI-RT  | 4931392710                    | 4002395742158 |
| 0102 2   | 1        | HANDGRIFF KOMPL.     | 4931400392                    | 4002395758821 |
| 0104 3   | 1        | LUFTFUEHRUNGSRING    | 4931392727                    | 4002395747214 |
| 0105 4   | 1        | FELD F. ELEKTROMOTOR | 4931392390                    | 4002395738809 |
| 0106 5   | 1        | ANKER VOLLST DC      | 4931442697                    | 4002395883776 |
| 0107 6   | 1        | VENTILATOR           | 4931342793                    | 4002395628544 |
| 0108 7   | 2        | KUGELLAGER           | 681383001                     | 4002395802050 |
| 0110 8   | 1        | ISOLIERSCHEIBE       | 4931392383                    | 4002395747405 |
| 0127 9   | 7        | SCHRAUBE             | 4931624515                    | 4002395757367 |
| 0136 10  | 1        | STEUERSCHALTER       | 4931400353                    | 4002395757282 |
| 0137 11  | 1        | UMSCHALTER           | Item discontinued(4931392715) |               |
| 0138 12  | 1        | VERDRAHTUNG          | 4931396430                    | 4002395766147 |
| 0143 13  | 1        | LEITUNG              | 4931624571                    | 4002395765966 |
| 0144 14  | 1        | LEITUNG              | 4931624572                    | 4002395765973 |
| 0151 15  | 1        | LAGERSCHILD BEARB    | 4931426436                    | 4002395842537 |
| 0152 16  | 1        | KUGELLAGER           | 4931624278                    | 4002395731053 |
| 0153 17  | 1        | RITZEL               | Item discontinued(4931392419) |               |
| 0156 18  | 1        | LAGERDECKEL          | Item discontinued(4931392742) |               |
| 0160 19  | 1        | LAGERSCHILD          | 4931442317                    | 4002395877317 |
| 0201 20  | 1        | NADELLAGER           | 4931933756                    | 4002395706785 |
| 0202 21  | 1        | GETRIEBEKASTEN       | 4931400877                    | 4002395768684 |
| 0203 22  | 1        | GETRIEBEKASTENISOL.  | 4931392716                    | 4002395742189 |
| 0205 23  | 1        | GETRIEBEKAPPE        | 4931392717                    | 4002395742196 |
| 0208 24  | 1        | SCHLAGKOERPER        | 4931392376                    | 4002395757909 |
| 0209 25  | 1        | ZYLINDER             | 4931409751                    | 4002395905645 |
| 0213 26  | 1        | SCHALTGRIFF          | 4931384621                    | 4002395726066 |
| 0214 27  | 1        | ZYLINDERSTIFT        | 4931624279                    | 4002395731060 |
| 0215 28  | 1        | FEDER                | 4931365058                    | 4002395665839 |
| 0216 29  | 1        | SCHALTSCHIEBER       | 4931384617                    | 4002395726042 |
| 0218 30  | 1        | TAUMELTRIEB          | 4931387623                    | 4002395829101 |
| 0220 31  | 1        | HALTERUNG            | 4931392728                    | 4002395747672 |
| 0224 32  | 1        | ZYLINDERBOLZEN       | 4931387381                    | 4002395792610 |
| 0225 33  | 2        | SCHEIBE              | 4931365112                    | 4002395666027 |
| 0230 34  | 1        | SPINDELHUELSE SDS    | 4931417091                    | 4002395833412 |
| 0231 35  | 1        | LAGERDECKEL          | 4931392461                    | 4002395741410 |
| 0236 36  | 1        | SCHEIBE              | 4931624426                    | 4002395748785 |
| 0237 37  | 1        | LAGERSTEG            | 4931392737                    | 4002395748501 |
| 0239 38  | 1        | FANGHUELSE           | Item discontinued(4931384608) |               |
| 0240 39  | 1        | SPINDELLAGER         | 4931392736                    | 4002395748624 |
| 0241 40  | 1        | KUPPLUNGSSCHEIBE     | 4931392751                    | 4002395743285 |
| 0242 41  | 3        | ZYLINDERBOLZEN       | 681235001                     | 4002395851904 |
| 0243 42  | 1        | SPINDELRAD           | 4931407761                    | 4002395832125 |
| 0244 43  | 3        | KUGEL                | 4931944281                    | 4002395707140 |
| 0246 44  | 5        | TELLERFEDER          | 4931365066                    | 4002395665877 |
| 0248 45  | 1        | BREMSRING            | 4931392465                    | 4002395745319 |
| 0248 46  | 1        | BREMSRING 5/2009     | 4931392465                    | 4002395745319 |
| 0253 47  | 1        | DOEPFER              | 692590001                     | 4002395851942 |
| 0257 48  | 1        | KUGEL                | 4931911572                    | 4002395706457 |
| 0262 49  | 1        | SPRENGRING           | 4931623220                    | 4002395701063 |
| 0263 50  | 1        | DRUCKFEDER           | 4931343128                    | 4002395629466 |

| Position | Quantity | Description      | Part number                   | EAN           |
|----------|----------|------------------|-------------------------------|---------------|
| 0270 51  | 1        | STUETZBLECH      | 4931343127                    | 4002395629459 |
| 0271 52  | 1        | HALTERING        | 4931384635                    | 4002395726127 |
| 0301 53  | 1        | GETRIEBEKASTEN   | 4931392741                    | 4002395748334 |
| 0302 54  | 1        | NADELLAGER       | 4931621944                    | 4002395696314 |
| 0305 55  | 1        | ARRETIERBLECH    | Item discontinued(4931384618) |               |
| 0306 56  | 1        | FUEHRUNGSBOLZEN  | 4931384619                    | 4002395726059 |
| 0307 57  | 1        | DRUCKFEDER       | 4931384631                    | 4002395726103 |
| 0308 58  | 1        | FUEHRUNGSBOLZEN  | 4931384690                    | 4002395734030 |
| 0340 59  | 1        | VORGELEGE        | Item discontinued(4931392410) |               |
| 0341 60  | 1        | VORGELEGEWELLE   | 4931417717                    | 4002395835096 |
| 0343 61  | 1        | ZAHNRAD          | 4931375873                    | 4002395789627 |
| 0344 62  | 1        | HOHLRAD          | 4931375874                    | 4002395766833 |
| 0347 63  | 1        | KUPPLUNGSHUELSE  | 4931384691                    | 4002395735815 |
| 0349 64  | 1        | DISTANZHUELSE    | 4931384613                    | 4002395738144 |
| 0350 65  | 1        | KEGELRAD         | 4931442316                    | 4002395877300 |
| 0605 66  | 1        | TIEFENANSCHLAG   | 4931384434                    | 4002395719402 |
| 0705 67  | 1        | ZUSATZHANDGRIFF  | Item discontinued(4931384678) |               |
| 1200 68  | 1        | WARTUNGSSET      | 4931400878                    | 4002395769032 |
| 1201 69  | 1        | KOHLBUERSTEN-SET | 4931392429                    | 4002395741939 |
| 1202 70  | 1        | GUMMIBUCHSE      | 4931351729                    | 4002395640553 |
| 1203 71  | 1        | GUMMIKAPPE       | 4931384687                    | 4002395730933 |
| 1204 72  | 1        | HUELSE           | 4931384634                    | 4002395726110 |
| 1205 73  | 1        | DICHTRING        | 562595001                     | 4002395850655 |
| 1207 74  | 1        | DICHTRING        | 4931624430                    | 4002395748365 |
| 1208 75  | 1        | DICHTRING        | 4931624429                    | 4002395748631 |
| 1209 76  | 1        | DICHTRING        | 561994001                     | 4002395854943 |
| 1210 77  | 1        | DICHTUNG         | Item discontinued(4931375894) |               |
| 1211 78  | 1        | SPRENGRING       | 4931945764                    | 4002395707317 |
| 1212 79  | 6        | SCHRAUBE         | 4931624582                    | 4002395768301 |
| 1213 80  | 1        | DICHTRING        | 4931623912                    | 4002395704651 |
| 1214 81  | 5        | SCHRAUBE         | 4931624581                    | 4002395768295 |
| 1215 82  | 1        | SCHRAUBE         | 661504001                     | 4002395851379 |
| 1216 83  | 1        | DICHTRING        | 4931624353                    | 4002395741878 |
| 1217 84  | 1        | DRUCKRING        | 4931387479                    | 4002395788477 |
| 1218 85  | 1        | O-RING           | Item discontinued(4931387380) |               |
| 1219 86  | 1        | DICHTRING        | 4931624493                    | 4002395755318 |
| 1220 87  | 4        | SCHRAUBE         | 4931624583                    | 4002395768318 |
| 1221 88  | 1        | SPRENGRING       | 4931623860                    | 4002395704286 |
| 1222 89  | 1        | SPRENGRING       | 4931624260                    | 4002395724604 |
| 1228 90  | 1        | O-RING           | 4931623198                    | 4002395700981 |
| 1229 91  | 1        | SPRENGRING       | 4931622084                    | 4002395696680 |
| 1231 92  | 1        | DICHTRING        | 4931624351                    | 4002395741427 |
| 1232 93  | 2        | SCHRAUBE         | 4931621743                    | 4002395695935 |
| 1233 94  | 2        | SCHRAUBE         | 4931622315                    | 4002395697434 |
| 1234 95  | 1        | FILZ             | 4931375508                    | 4002395731732 |
| 1235 96  | 1        | O-RING           | 4931624381                    | 4002395745289 |
| 1236 97  | 2        | SCHRAUBE         | 4931624584                    | 4002395768325 |
| 1238 98  | 1        | SPRENGRING       | 4931624383                    | 4002395748860 |
| 1241 99  | 2        | SCHRAUBE         | 4931267225                    | 4002395587308 |