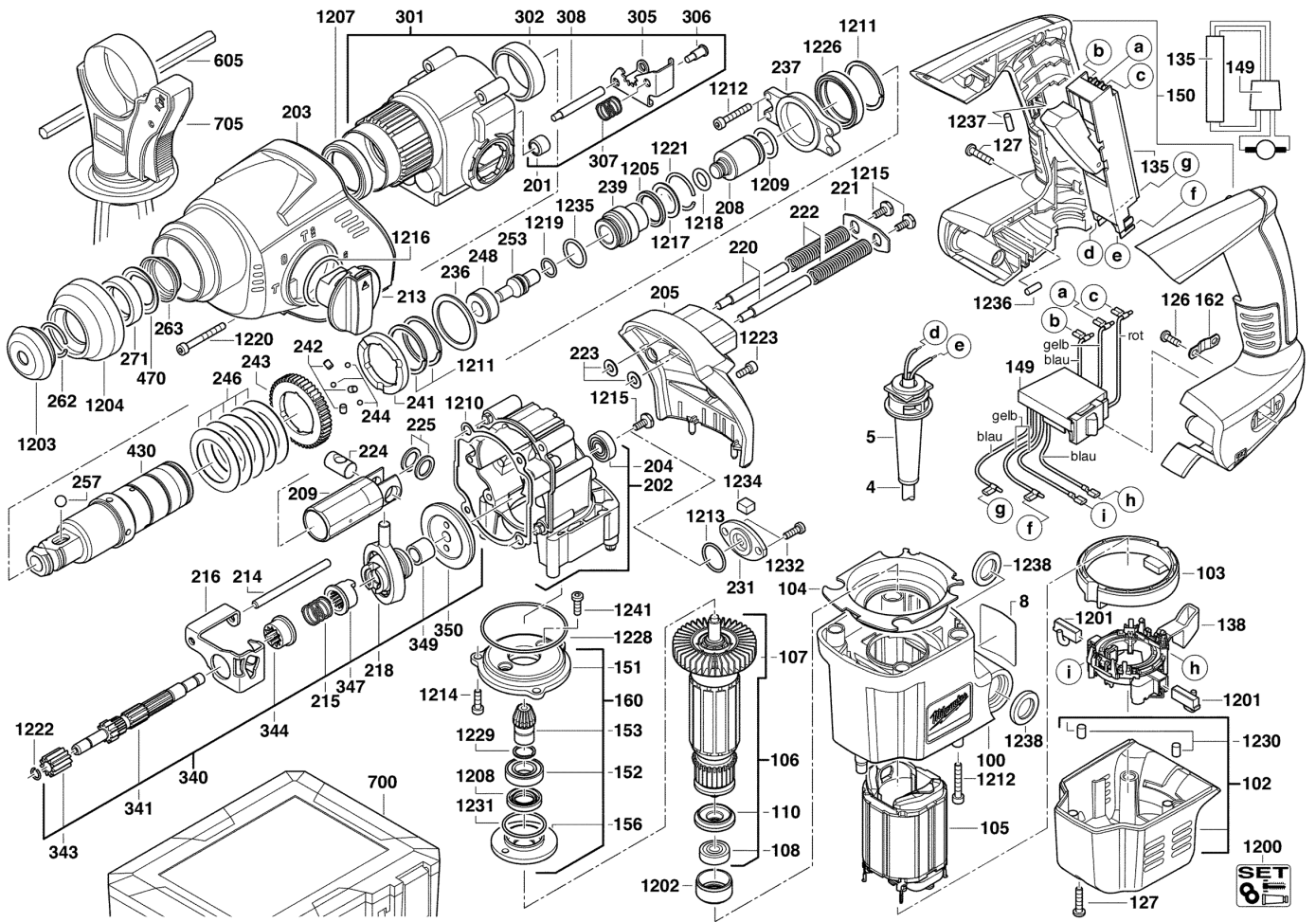


# PLH26E SDS+ KOMBIHAMMER IN2

4933392626 - PLH26E - 4000409587





| Position | Quantity | Description                          | Part number                   | EAN           |
|----------|----------|--------------------------------------|-------------------------------|---------------|
| 0004 1   | 1        | ANSCHLUSSLEITUNG                     | 4931302112                    | 4002395591657 |
| 0005 2   | 1        | KABELSCHUTZSCHLAUCH                  | 4931392174                    | 4002395772872 |
| 0008 3   | 1        | LEISTUNGSSCHILD                      | Item discontinued(4931409589) |               |
| 0100 4   | 1        | MOTORGEHAEUSE MI-RT                  | Item discontinued(4931392634) |               |
| 0102 5   | 1        | MOTORKAPPE                           | Item discontinued(4931392446) |               |
| 0103 6   | 1        | NIEDERHALTER                         | 4931384662                    | 4002395730889 |
| 0104 7   | 1        | LUFTFUEHRUNGSRING                    | Item discontinued(4931392636) |               |
| 0105 8   | 1        | FELD F. ELEKTROMOTOR                 | 4931442710                    | 4002395882557 |
| 0106 9   | 1        | ANKER F.ELEKTROMOTOR                 | 4931426365                    | 4002395841233 |
| 0107 10  | 1        | VENTILATOR                           | 4931408165                    | 4002395834112 |
| 0108 11  | 1        | KUGELLAGER                           | 4931902888                    | 4002395706372 |
| 0110 12  | 1        | ISOLIERSCHEIBE                       | 4931385658                    | 4002395719846 |
| 0126 13  | 2        | SCHRAUBE                             | 4931624516                    | 4002395757374 |
| 0127 14  | 7        | SCHRAUBE                             | 4931624515                    | 4002395757367 |
| 0135 15  | 1        | EIN-/AUSSCHALTER F. ELEKTROWERKZEUGE | Item discontinued(4931384668) |               |
| 0138 16  | 1        | STELLRING                            | 4931392637                    | 4002395752027 |
| 0149 17  | 1        | ELEKTR.BAUSTEIN                      | 4931384663                    | 4002395730988 |
| 0150 18  | 1        | HANDGRIFF KOMPL.                     | Item discontinued(4931392639) |               |
| 0151 19  | 1        | LAGERSCHILD BEARB                    | 4931426436                    | 4002395842537 |
| 0152 20  | 1        | KUGELLAGER                           | 4931624278                    | 4002395731053 |
| 0153 21  | 1        | RITZEL                               | 4931375884                    | 4002395776511 |
| 0156 22  | 1        | LAGERDECKEL                          | Item discontinued(4931392742) |               |
| 0160 23  | 1        | LAGERSCHILD                          | 4931400951                    | 4002395779987 |
| 0162 24  | 1        | KABELSCHELLE                         | 4931256500                    | 4002395586547 |
| 0201 25  | 1        | NADELLAGER                           | 4931933756                    | 4002395706785 |
| 0202 26  | 1        | GETRIEBEKASTEN                       | 4931400846                    | 4002395784240 |
| 0203 27  | 1        | GETRIEBEKASTENISOL.                  | 4931392716                    | 4002395742189 |
| 0204 28  | 1        | KUGELLAGER                           | 681383001                     | 4002395802050 |
| 0205 29  | 1        | GETRIEBEKAPPE                        | 4931392717                    | 4002395742196 |
| 0208 30  | 1        | SCHLAGKOERPER                        | 4931392376                    | 4002395757909 |
| 0209 31  | 1        | ZYLINDER                             | 4931409751                    | 4002395905645 |
| 0213 32  | 1        | SCHALTGRIFF                          | 4931384621                    | 4002395726066 |
| 0214 33  | 1        | ZYLINDERSTIFT                        | 4931624279                    | 4002395731060 |
| 0215 34  | 1        | FEDER                                | 4931365058                    | 4002395665839 |
| 0216 35  | 1        | SCHALTSCHIEBER                       | 4931384617                    | 4002395726042 |
| 0218 36  | 1        | TAUMELTRIEB                          | 4931387623                    | 4002395829101 |
| 0220 37  | 2        | FUEHRUNGSBOLZEN                      | 4931384667                    | 4002395730896 |
| 0221 38  | 1        | HALTEBLECH                           | 4931384669                    | 4002395730995 |
| 0222 39  | 2        | DRUCKFEDER                           | 4931384670                    | 4002395731008 |
| 0223 40  | 2        | SCHEIBE                              | 4931909973                    | 4002395706426 |
| 0224 41  | 1        | ZYLINDERBOLZEN                       | 4931387381                    | 4002395792610 |
| 0225 42  | 2        | SCHEIBE                              | 4931365112                    | 4002395666027 |
| 0231 43  | 1        | LAGERDECKEL                          | 4931392461                    | 4002395741410 |
| 0236 44  | 1        | SCHEIBE                              | 4931624257                    | 4002395726158 |
| 0237 45  | 1        | LAGERSTEG                            | 4931392455                    | 4002395741946 |
| 0239 46  | 1        | FANGHUELSE                           | Item discontinued(4931384608) |               |
| 0241 47  | 1        | KUPPLUNGSSCHEIBE                     | 4931392751                    | 4002395743285 |
| 0242 48  | 3        | ZYLINDERBOLZEN                       | 681235001                     | 4002395851904 |
| 0243 49  | 1        | SPINDELRAD                           | 4931407761                    | 4002395832125 |
| 0244 50  | 3        | KUGEL                                | 4931944281                    | 4002395707140 |

| Position | Quantity | Description                     | Part number                   | EAN           |
|----------|----------|---------------------------------|-------------------------------|---------------|
| 0246 51  | 5        | TELLERFEDER                     | 4931365066                    | 4002395665877 |
| 0248 52  | 1        | BREMSRING 5/2009                | 4931392465                    | 4002395745319 |
| 0253 53  | 1        | DOEPFER                         | 692590001                     | 4002395851942 |
| 0257 54  | 1        | KUGEL                           | 4931911572                    | 4002395706457 |
| 0262 55  | 1        | SPRENGRING                      | 4931623220                    | 4002395701063 |
| 0263 56  | 1        | DRUCKFEDER                      | 4931343128                    | 4002395629466 |
| 0271 57  | 1        | HALTERING                       | 4931384635                    | 4002395726127 |
| 0301 58  | 1        | GETRIEBEKASTEN                  | 4931384632                    | 4002395726165 |
| 0302 59  | 1        | NADELLAGER                      | 4931621944                    | 4002395696314 |
| 0305 60  | 1        | ARRETIERBLECH                   | Item discontinued(4931384618) |               |
| 0306 61  | 1        | FUEHRUNGSBOLZEN                 | 4931384619                    | 4002395726059 |
| 0307 62  | 1        | DRUCKFEDER                      | 4931384631                    | 4002395726103 |
| 0308 63  | 1        | FUEHRUNGSBOLZEN                 | 4931384690                    | 4002395734030 |
| 0340 64  | 1        | VORGELEGEWELLE                  | 4931400853                    | 4002395780006 |
| 0341 65  | 1        | VORGELEGEWELLE                  | 4931417717                    | 4002395835096 |
| 0343 66  | 1        | ZAHNRAD                         | 4931375873                    | 4002395789627 |
| 0344 67  | 1        | HOHLRAD                         | 4931375874                    | 4002395766833 |
| 0347 68  | 1        | KUPPLUNGSHUELSE                 | 4931384691                    | 4002395735815 |
| 0349 69  | 1        | DISTANZHUELSE                   | 4931384613                    | 4002395738144 |
| 0350 70  | 1        | KEGELRAD                        | 4931375883                    | 4002395776504 |
| 0430 71  | 1        | REPARATURSATZ SPINDELHUELSE SDS | Item discontinued(4931394117) |               |
| 0470 72  | 1        | REPARATURSATZ                   | Item discontinued(4931394116) |               |
| 0605 73  | 1        | TIEFENANSCHLAG                  | 4931384434                    | 4002395719402 |
| 0700 74  | 1        | TRANSPORTKOFFER                 | 4931415335                    | 4002395827961 |
| 0705 75  | 1        | ZUSATZHANDGRIFF                 | 4931392747                    | 4002395751419 |
| 1200 76  | 1        | WARTUNGSSET                     | Item discontinued(4931400959) |               |
| 1201 77  | 1        | KOHLEBUERSTEN-SET               | Item discontinued(4931392459) |               |
| 1202 78  | 1        | GUMMIBUCHSE                     | 4931396532                    | 4002395790272 |
| 1203 79  | 1        | GUMMIKAPPE                      | 4931384687                    | 4002395730933 |
| 1204 80  | 1        | HUELSE                          | 4931384634                    | 4002395726110 |
| 1205 81  | 1        | DICHTRING                       | 562595001                     | 4002395850655 |
| 1207 82  | 1        | DICHTRING                       | 4931624259                    | 4002395726202 |
| 1208 83  | 1        | DICHTRING                       | 4931624429                    | 4002395748631 |
| 1209 84  | 1        | DICHTRING                       | 561994001                     | 4002395854943 |
| 1210 85  | 1        | DICHTUNG                        | Item discontinued(4931375894) |               |
| 1211 86  | 3        | SPRENGRING                      | 4931945764                    | 4002395707317 |
| 1212 87  | 8        | SCHRAUBE                        | 4931624582                    | 4002395768301 |
| 1213 88  | 1        | DICHTRING                       | 4931623912                    | 4002395704651 |
| 1214 89  | 5        | SCHRAUBE                        | 4931624581                    | 4002395768295 |
| 1215 90  | 3        | SCHRAUBE                        | 661504001                     | 4002395851379 |
| 1216 91  | 1        | DICHTRING                       | 4931624353                    | 4002395741878 |
| 1217 92  | 1        | DRUCKRING                       | 4931387479                    | 4002395788477 |
| 1218 93  | 1        | O-RING                          | Item discontinued(4931387380) |               |
| 1219 94  | 1        | DICHTRING                       | 4931624493                    | 4002395755318 |
| 1220 95  | 4        | SCHRAUBE                        | 4931624583                    | 4002395768318 |
| 1221 96  | 1        | SPRENGRING                      | 4931623860                    | 4002395704286 |
| 1222 97  | 1        | SPRENGRING                      | 4931624260                    | 4002395724604 |
| 1226 98  | 1        | DAEMPFUNGSRING                  | 4931365188                    | 4002395666188 |
| 1228 99  | 1        | O-RING                          | 4931623198                    | 4002395700981 |
| 1229 100 | 1        | SPRENGRING                      | 4931622084                    | 4002395696680 |

| Position | Quantity | Description  | Part number                   | EAN           |
|----------|----------|--------------|-------------------------------|---------------|
| 1230 101 | 1        | NIEDERHALTER | 4931409768                    | 4002395847617 |
| 1231 102 | 1        | DICHTRING    | 4931624351                    | 4002395741427 |
| 1232 103 | 2        | SCHRAUBE     | 4931621743                    | 4002395695935 |
| 1234 104 | 1        | FILZ         | 4931375508                    | 4002395731732 |
| 1235 105 | 1        | O-RING       | 4931624381                    | 4002395745289 |
| 1236 106 | 1        | NIEDERHALTER | 4931307423                    | 4002395593316 |
| 1237 107 | 1        | NIEDERHALTER | Item discontinued(4931386352) |               |
| 1238 108 | 2        | DICHTRING    | 4931624170                    | 4002395710904 |
| 1241 109 | 2        | SCHRAUBE     | 4931267225                    | 4002395587308 |