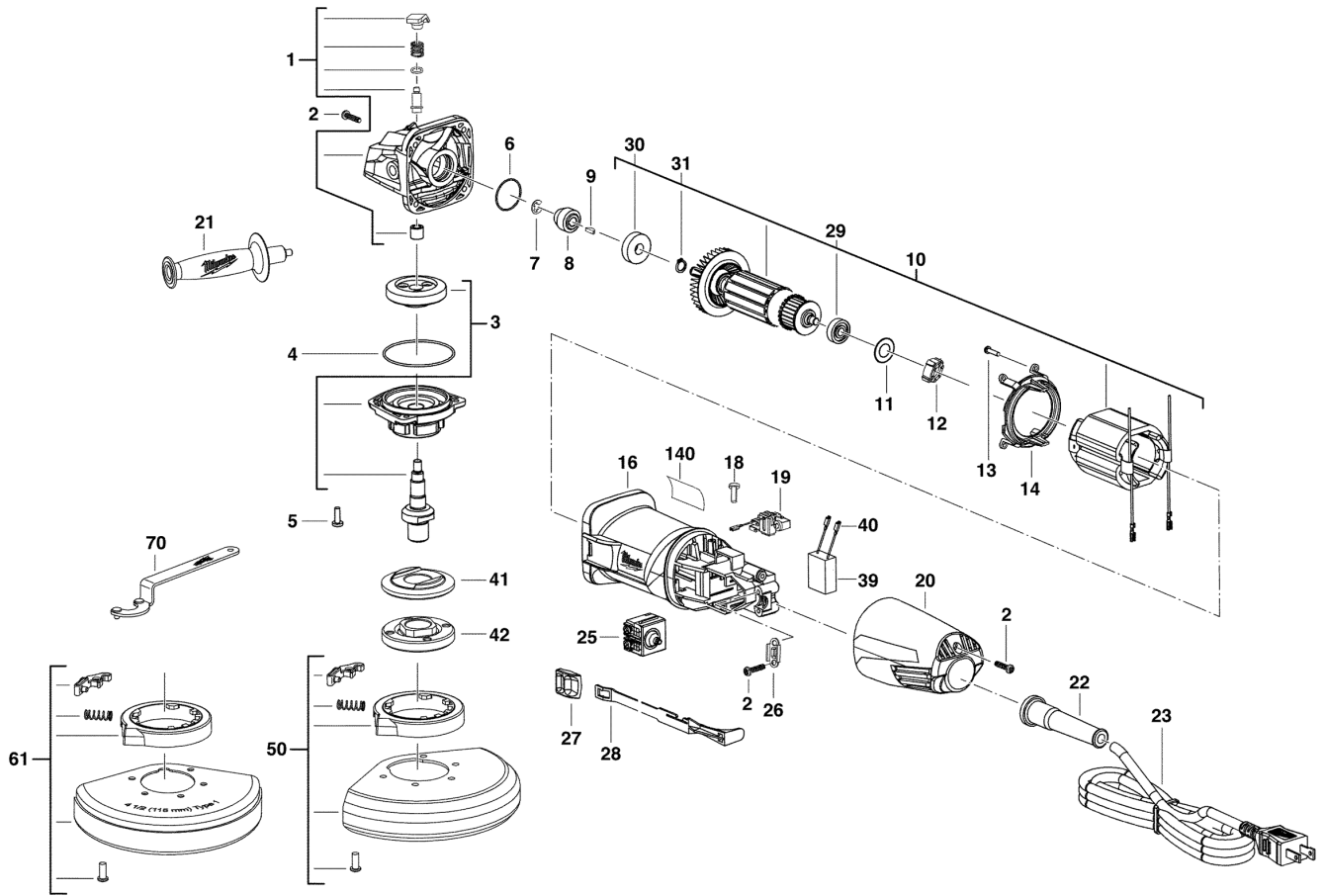


# **AG7-115 WINKELSCHLEIFER GB1**

**4933410640 - AG7-115 - 4000410641**



Position	Quantity	Description	Part number	EAN
0001 1	1	GETRIEBEGEHAEUSE	Item discontinued(201189002)	
0002 2	1	SCHRAUBE	660024030	4002395826957
0003 3	1	WELLE	Item discontinued(201205003)	
0004 4	1	O-RING	Item discontinued(560163001)	
0005 5	1	SCHRAUBE	661113007	4002395824502
0006 6	1	O-RING	Item discontinued(560164001)	
0007 7	1	RING	Item discontinued(633338001)	
0008 8	1	RITZEL	Item discontinued(610858005)	
0009 9	1	SCHLUESSEL	Item discontinued(672313001)	
0010 10	1	MOTOR	Item discontinued(201157002)	
0011 11	1	SCHEIBE	Item discontinued(633148001)	
0012 12	1	GUMMIBUCHSE	Item discontinued(562444001)	
0013 13	1	SCHRAUBE	Item discontinued(660203053)	
0014 14	1	VENTILATOR	Item discontinued(519381001)	
0016 15	1	MOTORGEHAEUSE	Item discontinued(341446002)	
0018 16	1	SCHRAUBE	660960001	4002395823802
0019 17	1	KOHLEBUERSTEN-SET	Item discontinued(290069182)	
0020 18	1	GETRIEBEDECKEL	Item discontinued(519447001)	
0021 19	1	HANDGRIFF	Item discontinued(303531001)	
0022 20	1	GUMMITUELLE	561709001	4002395824724
0023 21	1	ANSCHLUSSLEITUNG	Item discontinued(730352036)	
0025 22	1	SCHALTER	Item discontinued(760421001)	
0026 23	1	SPANNBLECH	Item discontinued(690337002)	
0027 24	1	SCHIEBER	Item discontinued(519449001)	
0028 25	1	SCHALTSCHIEBER	Item discontinued(519448001)	
0029 26	1	KUGELLAGER	681337001	4002395826988
0030 27	1	KUGELLAGER	Item discontinued(681358001)	
0031 28	1	REDUZIERSTUECK	Item discontinued(633036001)	
0039 29	1	KONDENSATOR	Item discontinued(820362030)	
0040 30	1	FUGENDUESE	Item discontinued(632153001)	
0041 31	1	FLANSCH	4931461674	4058546039073
0042 32	1	FLANSCHMUTTER	4931441309	4002395887699
0050 33	1	SCHUTZHAUBE	Item discontinued(201227002)	
0061 34	1	SCHUTZHAUBE	Item discontinued(201131002)	
0070 35	1	SCHLUESSEL	632145002	4002395823727
0140 36	1	LEISTUNGSSCHILD	Item discontinued(940038147)	