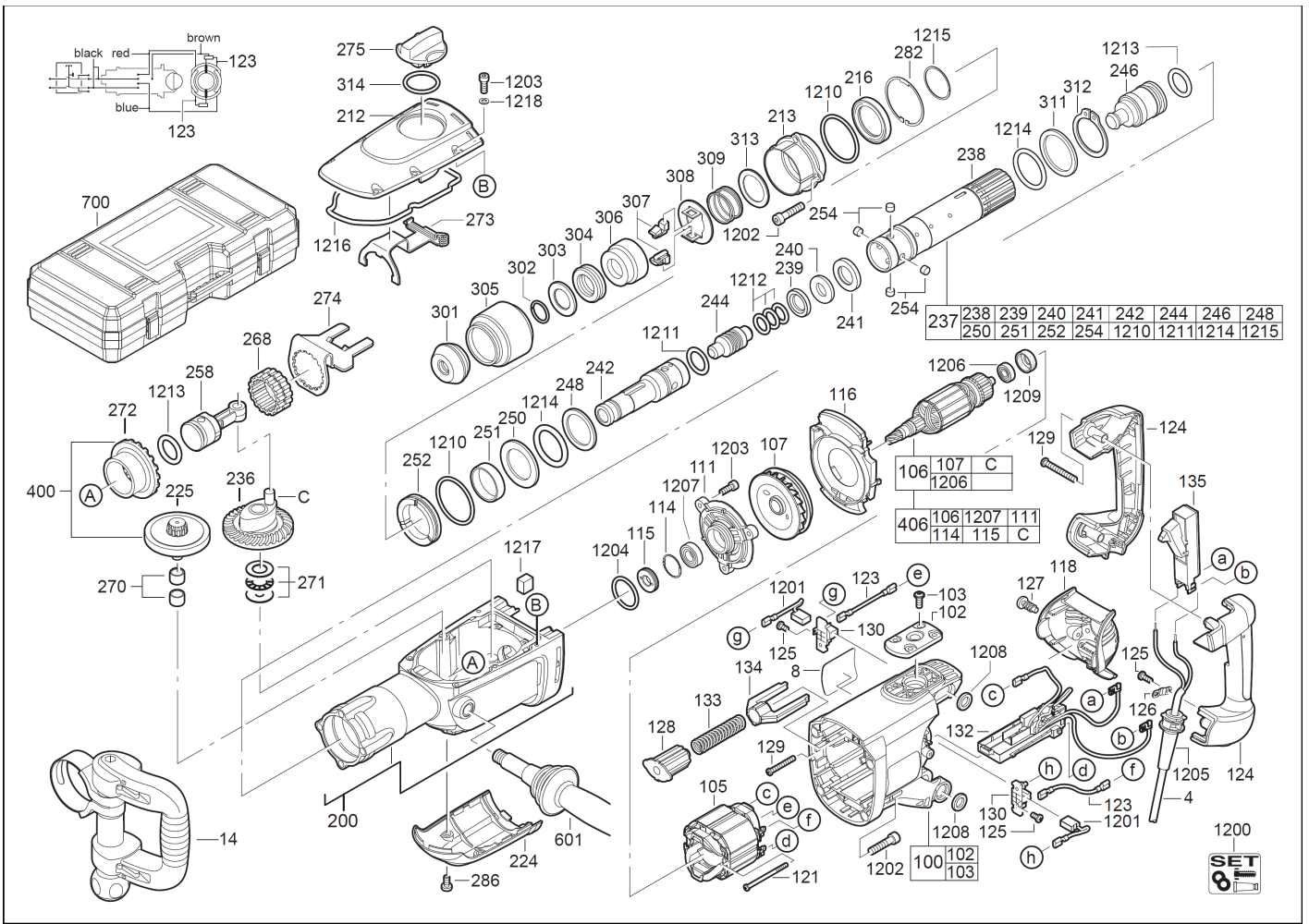


# K900S MEISSELHAMMER AUS

4933375796 - K900S - 4000417171





| Position | Quantity | Description                 | Part number                   | EAN           |
|----------|----------|-----------------------------|-------------------------------|---------------|
| 0004 1   | 1        | ANSCHLUSSLEITUNG            | 4931624697                    | 4002395800889 |
| 0008 2   | 1        | LEISTUNGSSCHILD             | Item discontinued(4931417172) |               |
| 0014 3   | 1        | HANDGRIFF                   | 4931398534                    | 4002395776658 |
| 0100 4   | 1        | MOTORGEHAEUSE VO.900 MI-ROT | 4931375740                    | 4002395735723 |
| 0102 5   | 1        | SCHRAUBBLECH                | 4931375531                    | 4002395711574 |
| 0103 6   | 4        | SCHRAUBE                    | 4931624213                    | 4002395736096 |
| 0105 7   | 1        | FELD 220-240V NF 4931426288 | 4931442746                    | 4002395885244 |
| 0106 8   | 1        | ANKER + KURBELRAD           | 4931432415                    | 4002395899418 |
| 0107 9   | 1        | VENTILATOR                  | 4931375474                    | 4002395711536 |
| 0111 10  | 1        | LAGERSCHILD BEARB           | 4931426434                    | 4002395842483 |
| 0114 11  | 1        | SPERRING                    | 4931890311                    | 4002395706297 |
| 0115 12  | 1        | DICHTRING MUTTER            | 4931375489                    | 4002395711543 |
| 0116 13  | 1        | LUFTFUEHRUNGSRING           | 4931375515                    | 4002395731756 |
| 0118 14  | 1        | SERVICEDECKEL               | 4931375535                    | 4002395731787 |
| 0121 15  | 2        | SCHRAUBE                    | 4931339996                    | 4002395623976 |
| 0123 16  | 2        | LEITUNG                     | 4931624263                    | 4002395724819 |
| 0124 17  | 1        | HANDGRIFFSCHAL.PAAR         | 4931375560                    | 4002395731817 |
| 0125 18  | 4        | SCHRAUBE                    | 4931624538                    | 4002395760039 |
| 0126 19  | 1        | KABELSCHELLE                | 4931256500                    | 4002395586547 |
| 0127 20  | 2        | SCHRAUBE                    | 4931624537                    | 4002395760022 |
| 0128 21  | 1        | DRUCKSTUECK                 | 4931375477                    | 4002395731701 |
| 0129 22  | 5        | SCHRAUBE                    | 4931622765                    | 4002395699094 |
| 0130 23  | 2        | BUERSTENHALTER              | 4931381694                    | 4002395780303 |
| 0132 24  | 1        | ELEKTRONIK                  | 4931409105                    | 4002395791590 |
| 0133 25  | 1        | DRUCKFEDER                  | 4931375529                    | 4002395711550 |
| 0134 26  | 1        | ZWISCHENSTUECK              | 4931375530                    | 4002395711567 |
| 0135 27  | 1        | SCHALTER                    | 4931375454                    | 4002395731688 |
| 0200 28  | 1        | GETRIEBEKASTEN              | 4931412436                    | 4002395798995 |
| 0212 29  | 1        | GETRIEBEDECKEL              | 4931426458                    | 4002395850273 |
| 0213 30  | 1        | DICHTUNGSHALTER             | 4931375569                    | 4002395731824 |
| 0216 31  | 1        | DICHTRING                   | 4931624205                    | 4002395714285 |
| 0224 32  | 1        | GETRIEBEKAPPE               | 4931375443                    | 4002395711611 |
| 0237 33  | 1        | SPINDEL                     | 4931375378                    | 4002395731510 |
| 0238 34  | 1        | SPINDELHUELSE ABSATZ        | 4931426172                    | 4002395903276 |
| 0239 35  | 1        | RUECKSCHLAGRING             | 4931375411                    | 4002395731565 |
| 0240 36  | 1        | FANGRING                    | 4931375412                    | 4002395731572 |
| 0241 37  | 1        | ANLAGERING ABSATZ9/2009     | 4931409791                    | 4002395841486 |
| 0242 38  | 1        | MITNEHMER SDS-MAX           | 4931426173                    | 4002395876563 |
| 0244 39  | 1        | DOEPPER                     | 4931375573                    | 4002395720354 |
| 0246 40  | 1        | SCHLAGKOERPER               | 4931455429                    | 4002395176472 |
| 0248 41  | 1        | ANLAGERING                  | 4931375416                    | 4002395731596 |
| 0250 42  | 1        | SCHEIBE                     | 4931375418                    | 4002395736003 |
| 0251 43  | 1        | LAUFRING                    | 4931375419                    | 4002395731602 |
| 0252 44  | 1        | TRAGRING                    | 4931375420                    | 4002395731619 |
| 0254 45  | 4        | MITNEHMER                   | 4931463952                    | 4058546270452 |
| 0258 46  | 1        | KOLBEN KOMPL.               | 4931375380                    | 4002395731534 |
| 0268 47  | 1        | STELLRING                   | 4931396199                    | 4002395748884 |
| 0271 48  | 1        | AXIALLAGER                  | 4931409549                    | 4002395815418 |
| 0273 49  | 1        | STELLBLECH                  | 4931375583                    | 4002395726493 |
| 0274 50  | 1        | ARRETIERBLECH               | 4931375401                    | 4002395717064 |

| Position | Quantity | Description         | Part number                   | EAN           |
|----------|----------|---------------------|-------------------------------|---------------|
| 0275 51  | 1        | UMSCHALTER          | 4931375546                    | 4002395731794 |
| 0282 52  | 1        | SICHERUNGSRING      | 4931624235                    | 4002395717460 |
| 0286 53  | 2        | SCHRAUBE            | 4931624236                    | 4002395717477 |
| 0301 54  | 1        | ABSCHLUSSKAPPE      | 9170350243                    | 4002395577330 |
| 0302 55  | 1        | SPRENGRING          | 9170319040                    | 4002395571895 |
| 0303 56  | 1        | DAEMPfungSELEMENT   | 4931409820                    | 4002395834778 |
| 0304 57  | 1        | DAEMPfungSRING      | 4931375775                    | 4002395739943 |
| 0305 58  | 1        | HUELSE              | 9170316570                    | 4002395570959 |
| 0306 59  | 1        | VERRIEGEL.-HUELSE   | 4931409842                    | 4002395844739 |
| 0307 60  | 2        | VERRIEGEL.-ELEMENT  | 4931468789                    | 4058546390129 |
| 0308 61  | 1        | VERRIEGEL.-PLATTE   | 4931375770                    | 4002395739202 |
| 0309 62  | 1        | DRUCKFEDER          | 4931375594                    | 4002395736423 |
| 0311 63  | 1        | ANLAGERING          | 4931375509                    | 4002395731749 |
| 0312 64  | 1        | Sicherungsring      | 4931624203                    | 4002395714278 |
| 0313 65  | 1        | SCHEIBE             | 4931375595                    | 4002395739950 |
| 0314 66  | 1        | O-RING              | 4931622166                    | 4002395696963 |
| 0406 67  | 1        | REPARATURSATZ       | 4931432416                    | 4002395895465 |
| 0601 68  | 1        | HANDGRIFF           | 4931375516                    | 4002395736027 |
| 0700 69  | 1        | TRANSPORTKOFFER     | Item discontinued(4931400760) |               |
| 1200 70  | 1        | WARTUNGSSET         | 4931375659                    | 4002395733927 |
| 1201 71  | 1        | KOHLEBUERSTEN-SET   | 4931375556                    | 4002395720323 |
| 1202 72  | 8        | SCHRAUBE            | 4931624234                    | 4002395717453 |
| 1203 73  | 9        | SCHRAUBE            | 4931624276                    | 4002395727858 |
| 1204 74  | 1        | DICHTRING           | 4931624237                    | 4002395717484 |
| 1205 75  | 1        | KABELSCHUTZSCHLAUCH | 4931392174                    | 4002395772872 |
| 1206 76  | 1        | KUGELLAGER          | 4931341741                    | 4002395627004 |
| 1207 77  | 1        | RILLENKUGELLAGER    | 4931398189                    | 4002395767304 |
| 1208 78  | 4        | DICHTRING           | 4931624170                    | 4002395710904 |
| 1209 79  | 1        | GUMMIBUCHSE         | 4931317212                    | 4002395599806 |
| 1210 80  | 2        | DICHTRING           | 4931624156                    | 4002395731879 |
| 1211 81  | 1        | DICHTRING           | 4931624161                    | 4002395731909 |
| 1212 82  | 3        | DICHTRING           | 4931624155                    | 4002395731862 |
| 1213 83  | 2        | DICHTRING           | 4931624158                    | 4002395731893 |
| 1214 84  | 2        | DICHTRING           | 4931624157                    | 4002395731886 |
| 1215 85  | 1        | SPRENGRING          | 4931624153                    | 4002395731855 |
| 1216 86  | 1        | DICHTUNG            | 4931375506                    | 4002395731725 |
| 1217 87  | 1        | FILZ                | 4931375508                    | 4002395731732 |
| 1218 88  | 6        | DICHTUNGSSCHEIBE    | 4931603515                    | 4002395693481 |