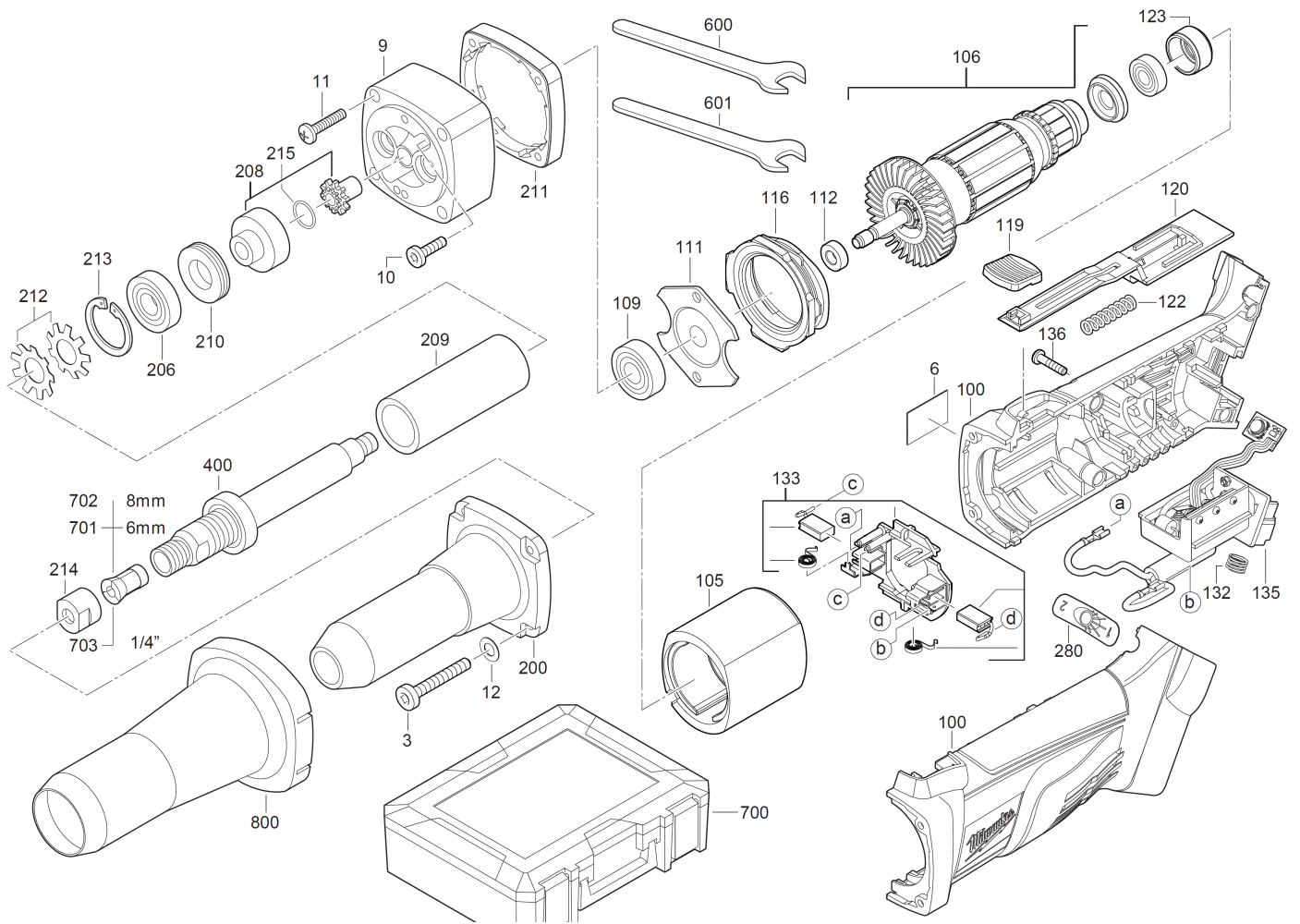


HD18SG-31C AKKU-GERADSCHLEIFER IN2

4933417850 - HD18SG-31C - 4000417821





| Position | Quantity | Description | Part number | EAN |
|----------|----------|------------------------------------|-------------------------------|---------------|
| 0003 1 | 4 | SCHRAUBE | 4931317532 | 4002395600175 |
| 0006 2 | 1 | LEISTUNGSSCHILD | Item discontinued(4931417826) | |
| 0009 3 | 1 | LAGERSCHILD BEARB ZAP-SI/MI-SI | 4931426201 | 4002395834068 |
| 0010 4 | 2 | SCHRAUBE | 4931279999 | 4002395590650 |
| 0011 5 | 4 | SCHRAUBE | 4931621515 | 4002395695508 |
| 0012 6 | 4 | DICHTUNGSSCHEIBE | 4931617414 | 4002395694792 |
| 0100 7 | 1 | GEHAEUSE | 4931403016 | 4002395903016 |
| 0105 8 | 1 | FELD F. ELEKTROMOTOR | 4931408258 | 4002395906277 |
| 0106 9 | 1 | ANKER VOLLST SG | 4931442700 | 4002395883141 |
| 0109 10 | 1 | KUGELLAGER | 4931901253 | 4002395706358 |
| 0111 11 | 1 | LAGERDECKEL | 4931351913 | 4002395640904 |
| 0112 12 | 1 | DISTANZHUELSE | Item discontinued(4931395098) | |
| 0116 13 | 1 | LUFTFUEHRUNGSRING OEM | 4931417510 | 4002395834082 |
| 0119 14 | 1 | SCHIEBER | 4931417492 | 4002395905676 |
| 0120 15 | 1 | SCHALTSTANGE | 4931417493 | 4002395905669 |
| 0122 16 | 1 | DRUCKFEDER | 4931327696 | 4002395608942 |
| 0123 17 | 1 | GUMMIBUCHSE | 4931351729 | 4002395640553 |
| 0132 18 | 1 | DRUCKFEDER | 4931408243 | 4002395814466 |
| 0133 19 | 1 | BUERSTENHALTER | 290627001 | 4002395850600 |
| 0135 20 | 1 | ELEKTRONIK | 4931403048 | 4002395837083 |
| 0136 21 | 4 | SCHRAUBE | 4931624515 | 4002395757367 |
| 0200 22 | 1 | LAGERHALS | 4931449947 | 4002395172849 |
| 0206 23 | 1 | KUGELLAGER | 4931804500 | 4002395705894 |
| 0208 24 | 1 | UMBAUSATZ MITNEHMER-NETZ | 4931417294 | 4002395828050 |
| 0209 25 | 1 | DISTANZHUELSE | 4931208217 | 4002395583386 |
| 0210 26 | 1 | MUTTER | 4931208219 | 4002395583393 |
| 0211 27 | 1 | ZWISCHENFLANSCH | 4931354044 | 4002395643615 |
| 0212 28 | 2 | FEDER | 4931220726 | 4002395583935 |
| 0213 29 | 1 | SPERRING | 4931884220 | 4002395706259 |
| 0214 30 | 1 | SPANNMUTTER | 4931409786 | 4002395839728 |
| 0215 31 | 1 | DICHTRING | 4931623232 | 4002395701094 |
| 0280 32 | 1 | AUFKLEBER | 4931417520 | 4002395843978 |
| 0400 33 | 1 | SCHLEIFSPINDEL | 4931278595 | 4002395589609 |
| 0600 34 | 1 | SCHLUESSEL | 4931822228 | 4002395706181 |
| 0601 35 | 1 | D 894 SHL 15 GALNIBK | 4931606563 | 4002395693726 |
| 0700 36 | 1 | TRANSPORTKOFFER | 4931417168 | 4002395896103 |
| 0800 37 | 1 | HUELSE | 4931463143 | 4058546291242 |
| 0701 38 | 1 | PRAeZISIONS-SPANNZANGE 6MM | 4932313192 | 4002395302833 |
| 0702 39 | 1 | PRAeZISIONS-SPANNZANGE 8MM | 4932313190 | 4002395302840 |
| 0703 40 | 1 | PRAeZISIONS-SPANNZANGE 6.35MM/ 1/4 | 4932313194 | 4002395302857 |