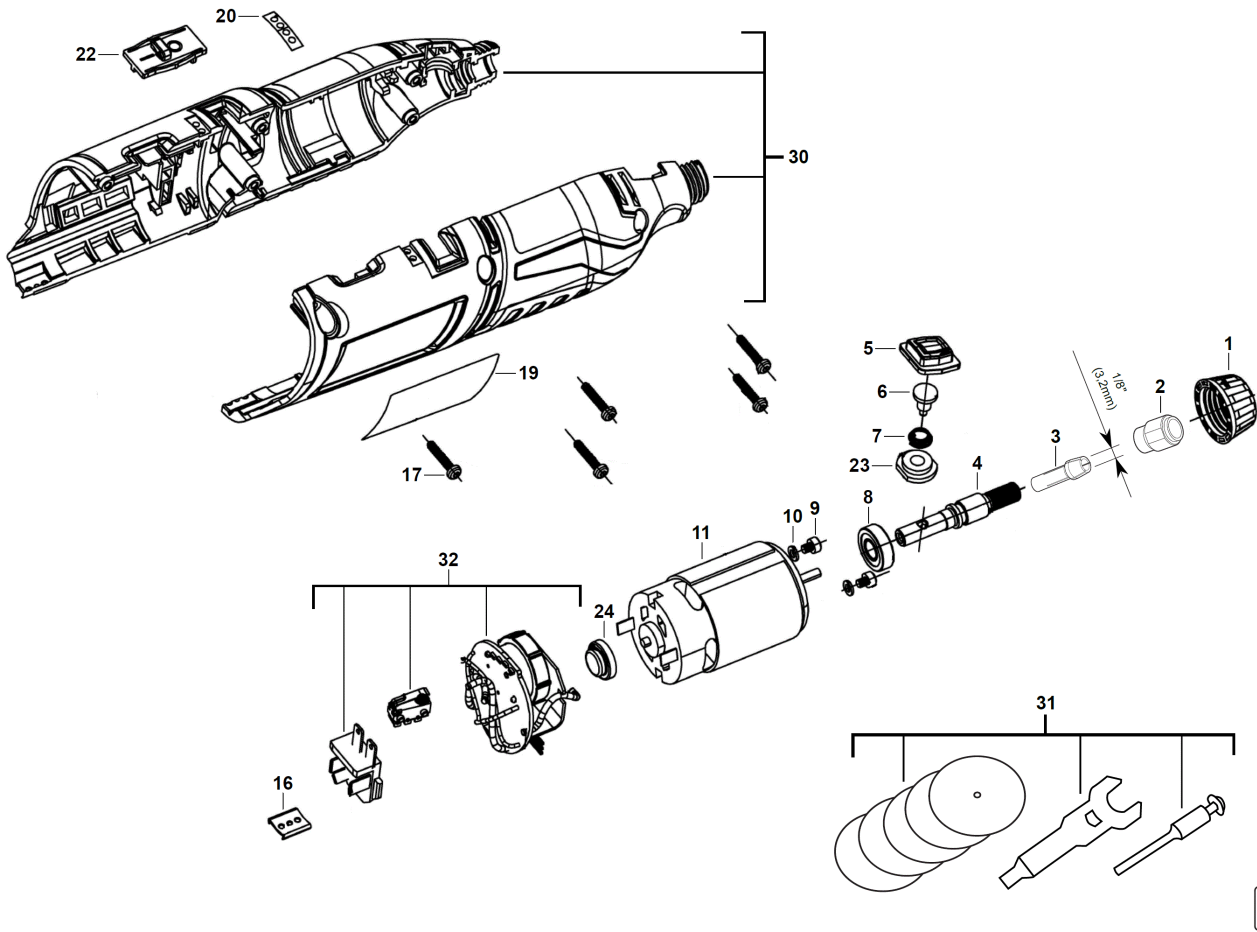


# C12RT-0 AKKU-ROTATIONSWERKZEUG XXX

4933427183 - C12RT-0 - 4000431133





| Position | Quantity | Description                              | Part number | EAN           |
|----------|----------|--|-------------|---------------|
| 0001 1   | 1        | KAPPE                                    | 4931511368  | 4058546652241 |
| 0001 2   | 1        | KAPPE                                    | 4931511368  | 4058546652241 |
| 0002 3   | 1        | SPANNMUTTER                              | 4931431137  | 4002395859849 |
| 0002 4   | 1        | SPANNMUTTER                              | 4931431137  | 4002395859849 |
| 0003 5   | 1        | SPANNHUELSE                              | 4931431146  | 4002395859856 |
| 0003 6   | 1        | SPANNHUELSE                              | 4931431146  | 4002395859856 |
| 0004 7   | 1        | SCHAFT                                   | 4931511369  | 4058546652258 |
| 0004 8   | 1        | SCHAFT                                   | 4931511369  | 4058546652258 |
| 0005 9   | 1        | KNOPF                                    | 4931511370  | 4058546652265 |
| 0005 10  | 1        | KNOPF                                    | 4931511370  | 4058546652265 |
| 0006 11  | 1        | ARRETIERSTIFT                            | 4931511371  | 4058546652272 |
| 0006 12  | 1        | ARRETIERSTIFT                            | 4931511371  | 4058546652272 |
| 0007 13  | 1        | STIFT                                    | 4931511372  | 4058546652289 |
| 0007 14  | 1        | STIFT                                    | 4931511372  | 4058546652289 |
| 0008 15  | 1        | LAGER                                    | 4931511373  | 4058546652296 |
| 0008 16  | 1        | LAGER                                    | 4931511373  | 4058546652296 |
| 0009 17  | 2        | SCHRAUBE                                 | 4931511374  | 4058546652302 |
| 0009 18  | 2        | SCHRAUBE                                 | 4931511374  | 4058546652302 |
| 0010 19  | 2        | FEDERRING                                | 670028003   | 4002395846627 |
| 0010 20  | 2        | FEDERRING                                | 670028003   | 4002395846627 |
| 0011 21  | 1        | MOTOR                                    | 4931511375  | 4058546652319 |
| 0011 22  | 1        | MOTOR                                    | 4931511375  | 4058546652319 |
| 0016 23  | 1        | VERBINDUNGS-STUECK                       | 631542001   | 4002395822591 |
| 0016 24  | 1        | VERBINDUNGS-STUECK                       | 631542001   | 4002395822591 |
| 0017 25  | 5        | SCHRAUBE                                 | 4931453227  | 4002395153206 |
| 0017 26  | 5        | SCHRAUBE                                 | 4931453227  | 4002395153206 |
| 0019 27  | 1        | LEISTUNGSSCHILD                          | 4931511376  | 4058546652326 |
| 0019 28  | 1        | LEISTUNGSSCHILD                          | 4931511376  | 4058546652326 |
| 0020 29  | 1        | FUEHLER                                  | 4931511377  | 4058546652333 |
| 0020 30  | 1        | FUEHLER                                  | 4931511377  | 4058546652333 |
| 0022 31  | 1        | KNOPF                                    | 4931511378  | 4058546652340 |
| 0022 32  | 1        | KNOPF                                    | 4931511378  | 4058546652340 |
| 0030 33  | 1        | GEHAEUSE                                 | 4931511379  | 4058546652357 |
| 0030 34  | 1        | GEHAEUSE                                 | 4931511379  | 4058546652357 |
| 0031 35  | 1        | Spanndorn, Schluessel + Trennsch. (5 St) | 4931441324  | 4002395873517 |
| 0031 36  | 1        | Spanndorn, Schluessel + Trennsch. (5 St) | 4931441324  | 4002395873517 |
| 0032 37  | 1        | ELEKTRONIK                               | 4931511380  | 4058546652364 |
| 0032 38  | 1        | ELEKTRONIK                               | 4931511380  | 4058546652364 |
| 0999 39  | 1        | C12RT-0                                  | 4933427183  | 4002395239030 |