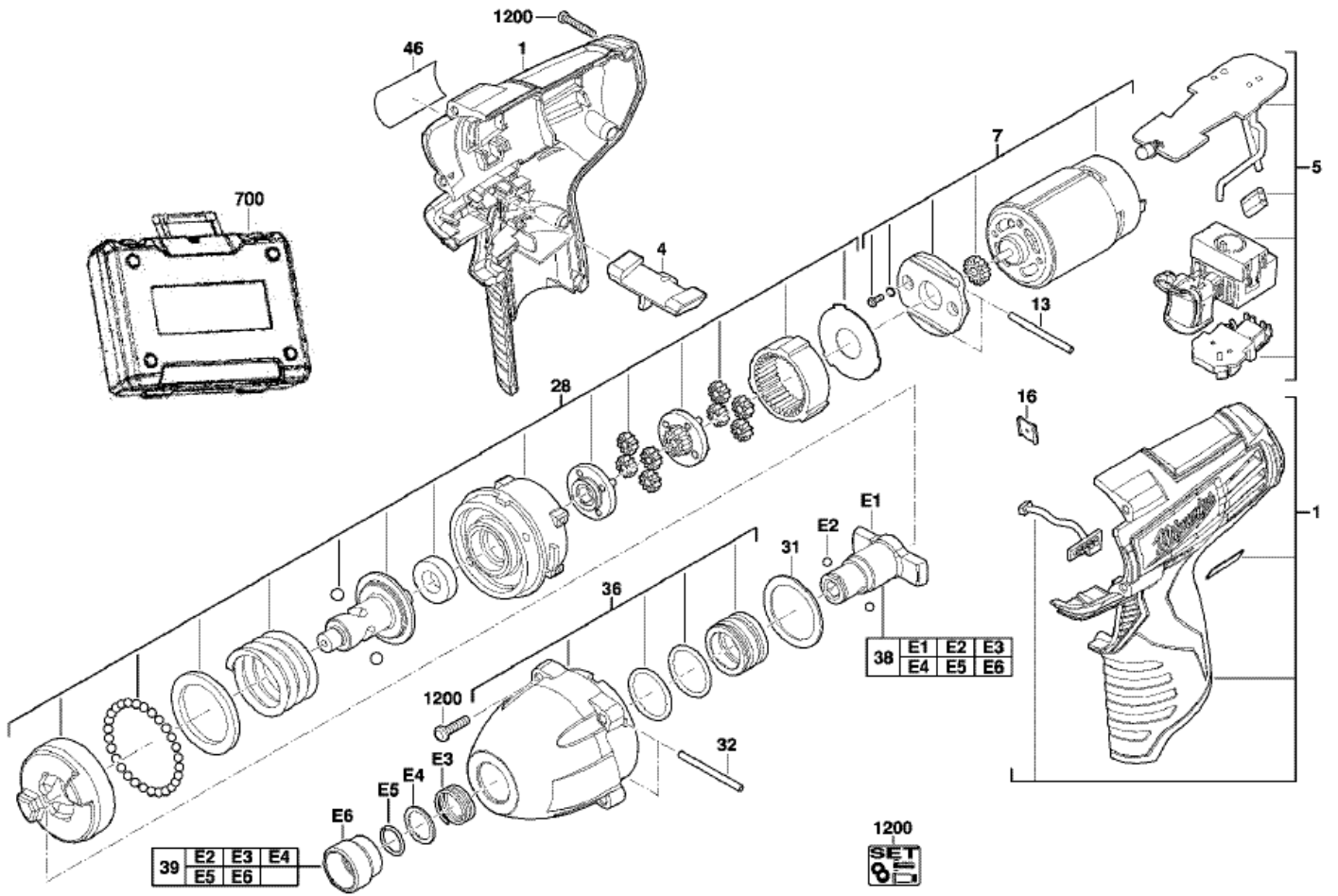


C12ID-0 AKKU-SCHLAGSCHRAUBER XXX

4933411930 - C12ID-0 - 4000431195





Position	Quantity	Description	Part number	EAN
0001 1	1	HANDGRIFF-SET	Item discontinued(201019001)	
0004 2	1	UMSCHALTER	Item discontinued(201216002)	
0005 3	1	SCHALTER	Item discontinued(4931433168)	
0007 4	1	MOTOR	Item discontinued(201020001)	
0013 5	1	STIFT	Item discontinued(201077005)	
0016 6	1	HOUSING CONNECTION KNOB	Item discontinued(1000079151)	
0028 7	1	GETRIEBESATZ	Item discontinued(201029001)	
0031 8	1	SCHEIBE	201076004	4002395803569
0032 9	1	STIFT	Item discontinued(201077006)	
0036 10	1	GETRIEBEKASTEN	Item discontinued(201027001)	
0038 11	1	VERRIEGEL.-HUELSE	Item discontinued(201026001)	
0039 12	1	HUELSE	Item discontinued(201028001)	
0046 13	1	LEISTUNGSSCHILD	Item discontinued(4931433167)	
0700 14	1	TRANSPORTKOFFER	Item discontinued(201280003)	
1200 15	1	SCHRAUBENSET	Item discontinued(4931433173)	