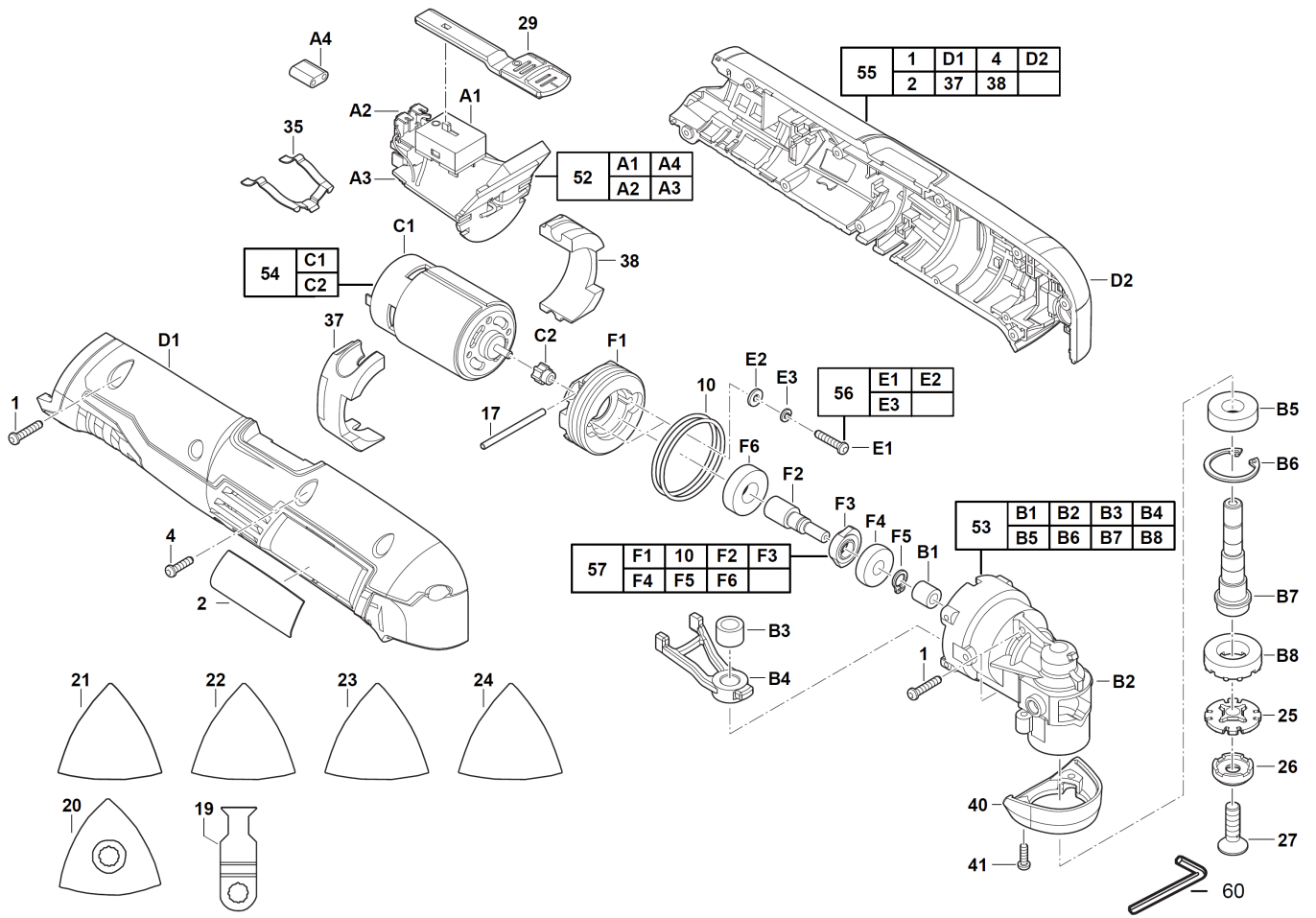


# C12MT-202B AKKU-MULTITOOL IN2

4933441710 - C12MT-202B IN2 - 4000431233





| Position | Quantity | Description                                  | Part number                  | EAN           |
|----------|----------|--|------------------------------|---------------|
| 0001 1   | 1        | SCHRAUBE                                     | 660570005                    | 4002395827329 |
| 0002 2   | 1        | LEISTUNGSSCHILD                              | 4931431679                   | 4002395901609 |
| 0004 3   | 1        | SCHRAUBE                                     | 661081001                    | 4002395830787 |
| 0010 4   | 1        | O-RING                                       | 562584001                    | 4002395849369 |
| 0017 5   | 1        | BOLZEN                                       | 672254001                    | 4002395849901 |
| 0019 6   | 1        | SAEGEBLATT                                   | 4931473395                   | 4058546352714 |
| 0020 7   | 1        | SCHLEIFPLATTE                                | 303590005                    | 4002395853441 |
| 0021 8   | 1        | SCHLEIFBLATT                                 | Item discontinued(902512002) |               |
| 0022 9   | 1        | SCHLEIFBLATT                                 | Item discontinued(902512002) |               |
| 0023 10  | 1        | SCHLEIFBLATT                                 | 902512001                    | 4002395853427 |
| 0024 11  | 1        | SCHLEIFBLATT                                 | 902512004                    | 4002395853397 |
| 0025 12  | 1        | WERKZEUGAUFNAHME                             | 611273001                    | 4002395848782 |
| 0026 13  | 1        | ABDECKUNG                                    | 611298001                    | 4002395859641 |
| 0027 14  | 1        | SCHRAUBE                                     | 661297001                    | 4002395849871 |
| 0029 15  | 1        | SCHIEBER                                     | Item discontinued(350157001) |               |
| 0035 16  | 1        | FEDERELEMENT                                 | 4931506540                   | 4058546558543 |
| 0037 17  | 1        | GUMMISCHEIBE                                 | 562687001                    | 4002395847464 |
| 0038 18  | 1        | GUMMIPLATTE                                  | 562687002                    | 4002395849383 |
| 0040 19  | 1        | ABDECKUNG                                    | 522537001                    | 4002395848775 |
| 0041 20  | 1        | Schraube M3                                  | 660380006                    | 4002395849857 |
| 0052 21  | 1        | SCHALTER M.ELEKTRO.                          | 4931431688                   | 4002395899739 |
| 0053 22  | 1        | GETRIEBEKASTEN                               | 200281033                    | 4002395849246 |
| 0054 23  | 1        | MOTOREINHEIT                                 | 200198006                    | 4002395849239 |
| 0055 24  | 1        | GEHAEUSE                                     | 4931431689                   | 4002395899746 |
| 0056 25  | 1        | SCHRAUBENSET                                 | Item discontinued(201735001) |               |
| 0057 26  | 1        | AUSGLEICHSGEWICHTZUSAM.<br>/WECHSELKOPFMASCH | 201736001                    | 4002395848737 |
| 0060 27  | 1        | SKT-STIFTSCHLUESSEL                          | 4931616056                   | 4002395694501 |
| 28       | 1        | C12C LADEGERAeT IN2                          | 4932352000                   | 4002395366606 |
| 29       | 2        | M12B2 LI-ION AKKUMULATOR 2.0AH XXX           | 4932430064                   | 4002395377251 |