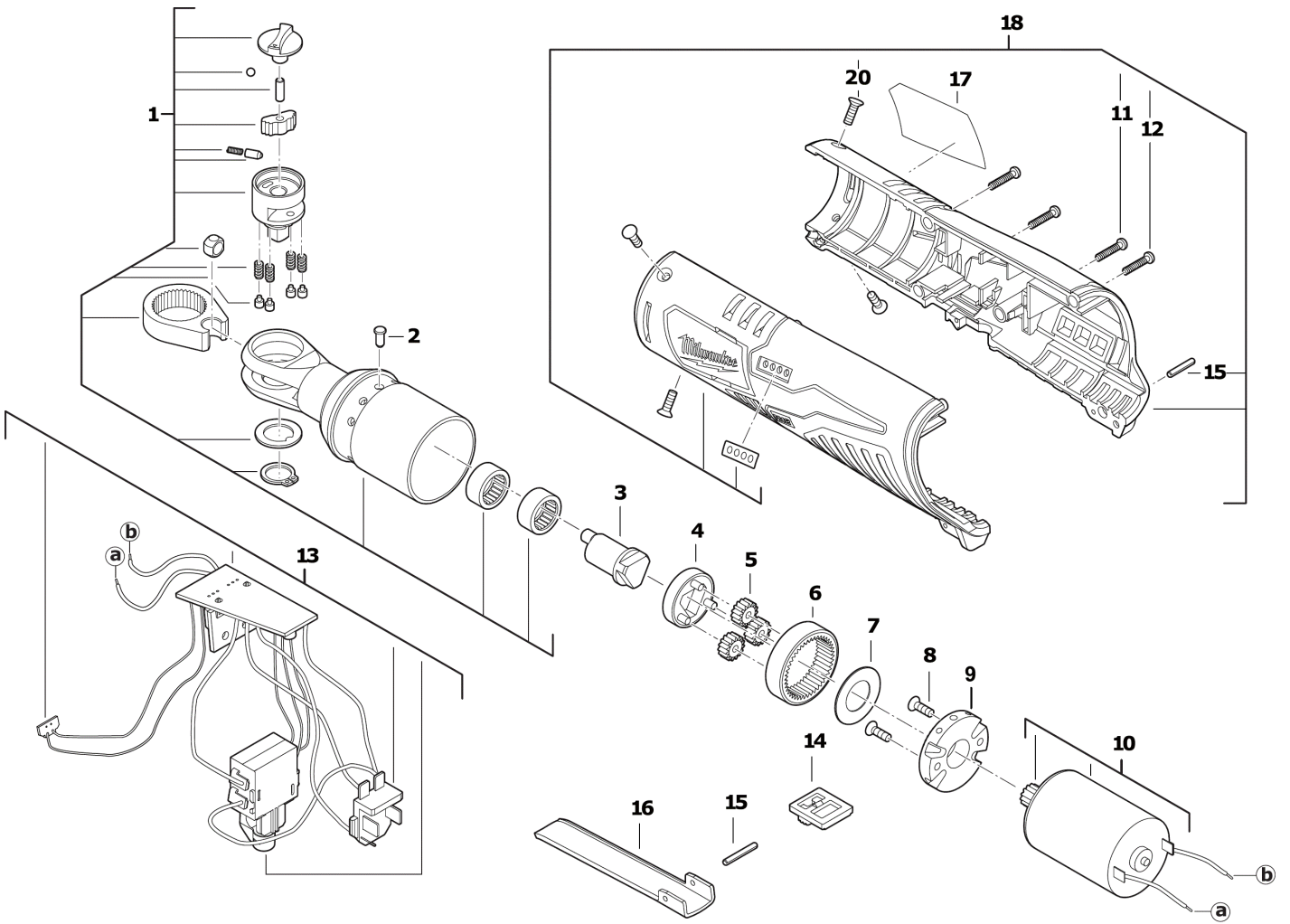


M12IR-21B(3/8) 3/8 AKKU-RATSCHE IN2

4933431280 - M12IR-21B(3/8) IN2 - 4000431281



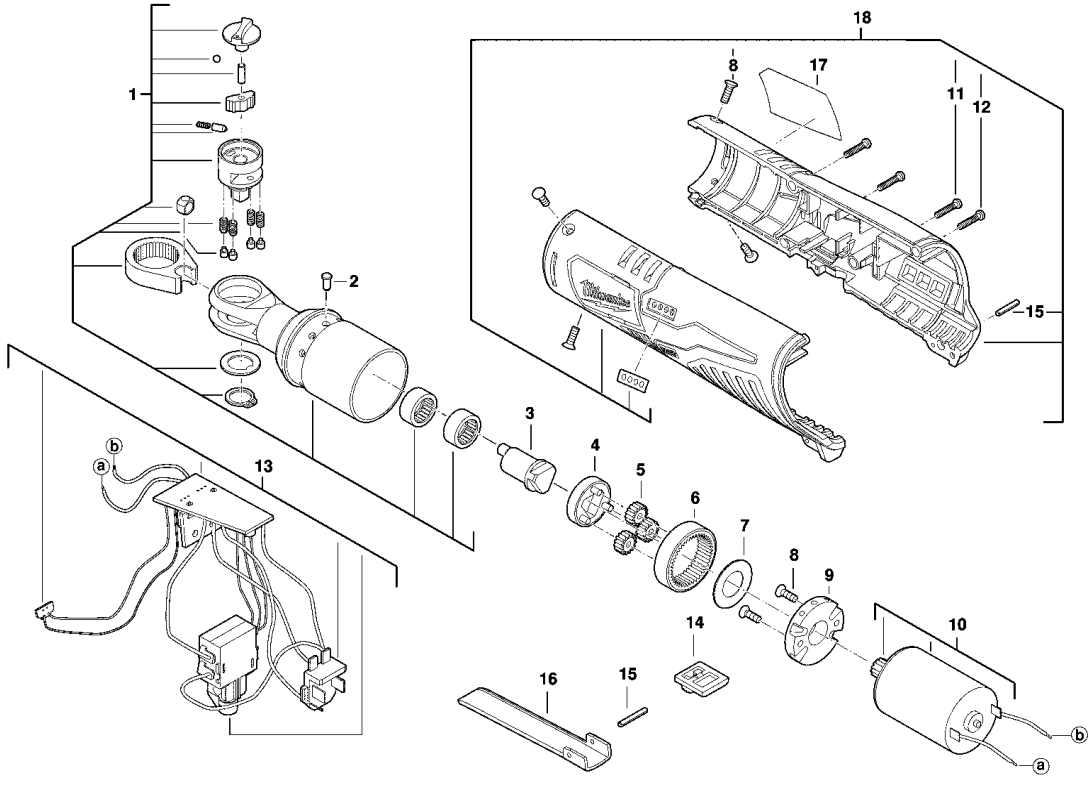


A & M Electric Tools

Ind	Product No.	Type	Voltage	Country	Ind	Product No.	Type	Voltage	Country
a	4000431271	M12IR-21B(1/4")	12V	***					
b	4000431281	M12IR-21B(3/8")	12V	***					

Battery Tools

Milwaukee			
M 12 IR (1/4")			
M 12 IR (3/8")			
Exp.view No.	Version	Date	Page
4926 4312 76	0002	07.12.11	1/1



Pos	Index	Quanti	Article No.	Designation
0001	a.....	1	4931435249	GEAR BOX HOUSING
0001	.b.....	1	4931435266	GEAR BOX HOUSING
0002	ab.....	1	4931435265	PIN
0003	ab.....	1	4931435250	CRANK ASSEMBLY
0004	ab.....	1	4931435264	PINION CAGE
0005	ab.....	1	4931435251	PLANET WHEEL
0006	ab.....	1	4931435263	GEAR
0007	ab.....	1	4931435252	WASHER
0008	ab.....	1	4931435259	SCREW
0009	ab.....	1	4931435258	MOTOR PLATE
0010	ab.....	1	4931435257	MOTOR ASSEMBLY
0011	ab.....	1	661047001	SCREW
0012	ab.....	1	661081001	SCREW
0013	ab.....	1	4931435256	SWITCH ASSEMBLY
0014	ab.....	1	4931435255	SWITCH
0015	ab.....	1	4931435254	PIN
0016	ab.....	1	4931435253	TRIGGER
0017	a.....	1	4931435262	RATING PLATE
0017	.b.....	1	4931435261	RATING PLATE
0018	ab.....	1	4931435260	HANDLE SET

Pos	Index	Quanti	Article No.	Designation

Repairs/modification and and testing of electric power tools are to be carried out by specialists. The safety regulations according to DIN/VDE/CEE/AFNOR and other regulations valid in the different countries are to be observed.

Position	Quantity	Description	Part number	EAN
0001 1	1	GETRIEBEGEHAEUSE	4931435266	4002395898138
0002 2	1	STIFT	4931435265	4002395898121
0003 3	1	KURBELWELLE	4931435250	4002395896851
0004 4	1	PLANETENTRAEGER	4931435264	4002395898114
0005 5	3	PLANETENRAD	4931435251	4002395896721
0006 6	1	ZAHNRAD	4931435263	4002395898107
0007 7	1	SCHEIBE	4931435252	4002395896738
0008 8	2	SCHRAUBE	4931435259	4002395897469
0009 9	1	MOTORPLATTE	4931506278	4058546555924
0010 10	1	MOTOREINHEIT	4931435257	4002395897445
0011 11	4	SCHRAUBE	661047001	4002395824496
0012 12	1	SCHRAUBE	661081001	4002395830787
0013 13	1	SCHALTER M.ELEKTRO.	4931435256	4002395897438
0014 14	1	SCHALTER	Item discontinued(4931435255)	
0015 15	1	STIFT	Item discontinued(4931435254)	
0016 16	1	DRUECKER	4931435253	4002395897407
0017 17	1	LEISTUNGSSCHILD	Item discontinued(4931435261)	
0018 18	1	HANDGRIFF-SET	4931506279	4058546555931
0020 19	4	SCHRAUBE	4931506280	4058546555948
20	1	C12C LADEGERAeT (NO SALE) IN2	4931404642	4002395856435
21	1	AKKUM M12B 1,5AH	4932352663	4002395373215