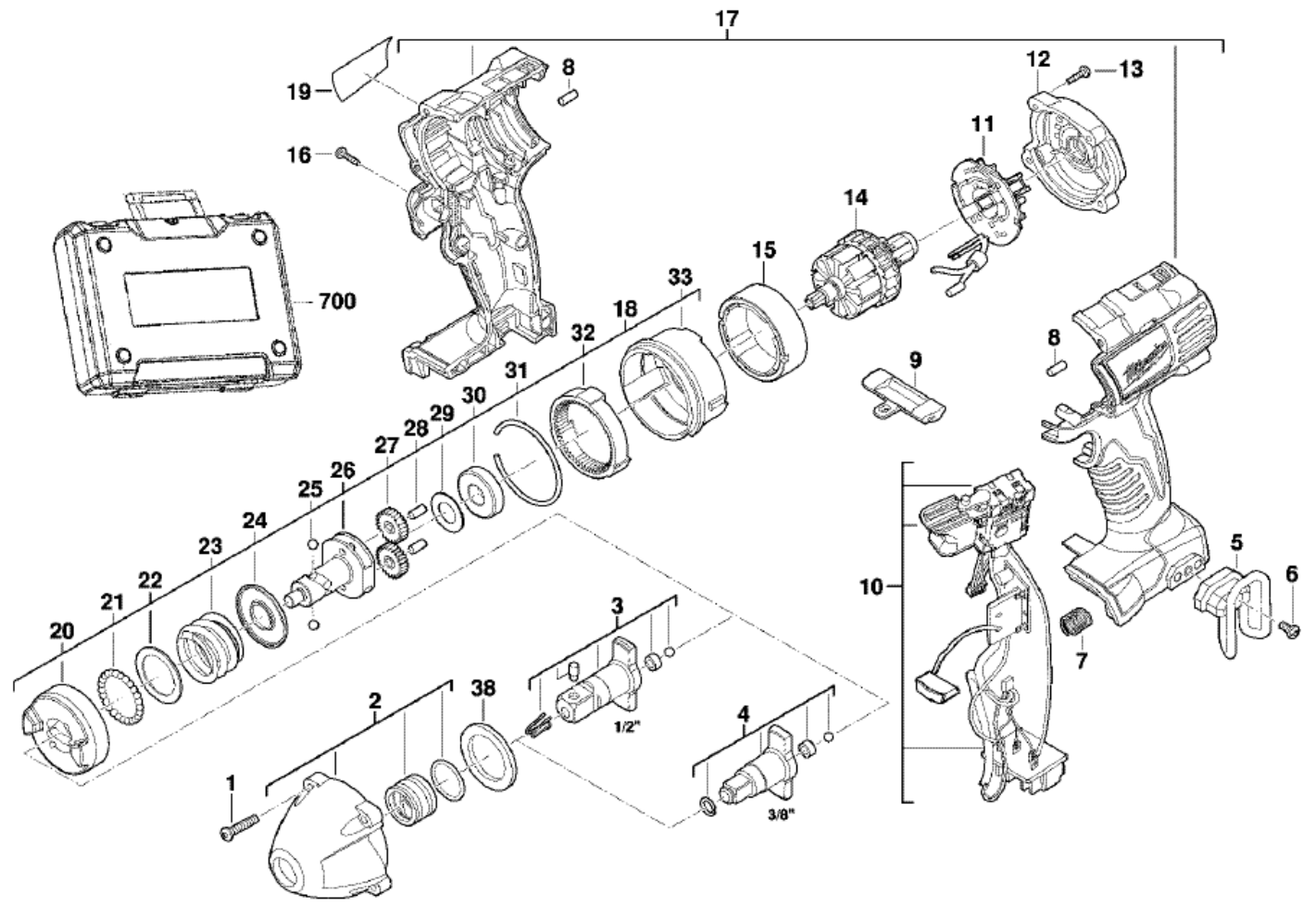


C18IW-402C AKKU-SCHLAGSCHRAUBER IN2

4933441275 - C18IW-402C - 4000431323



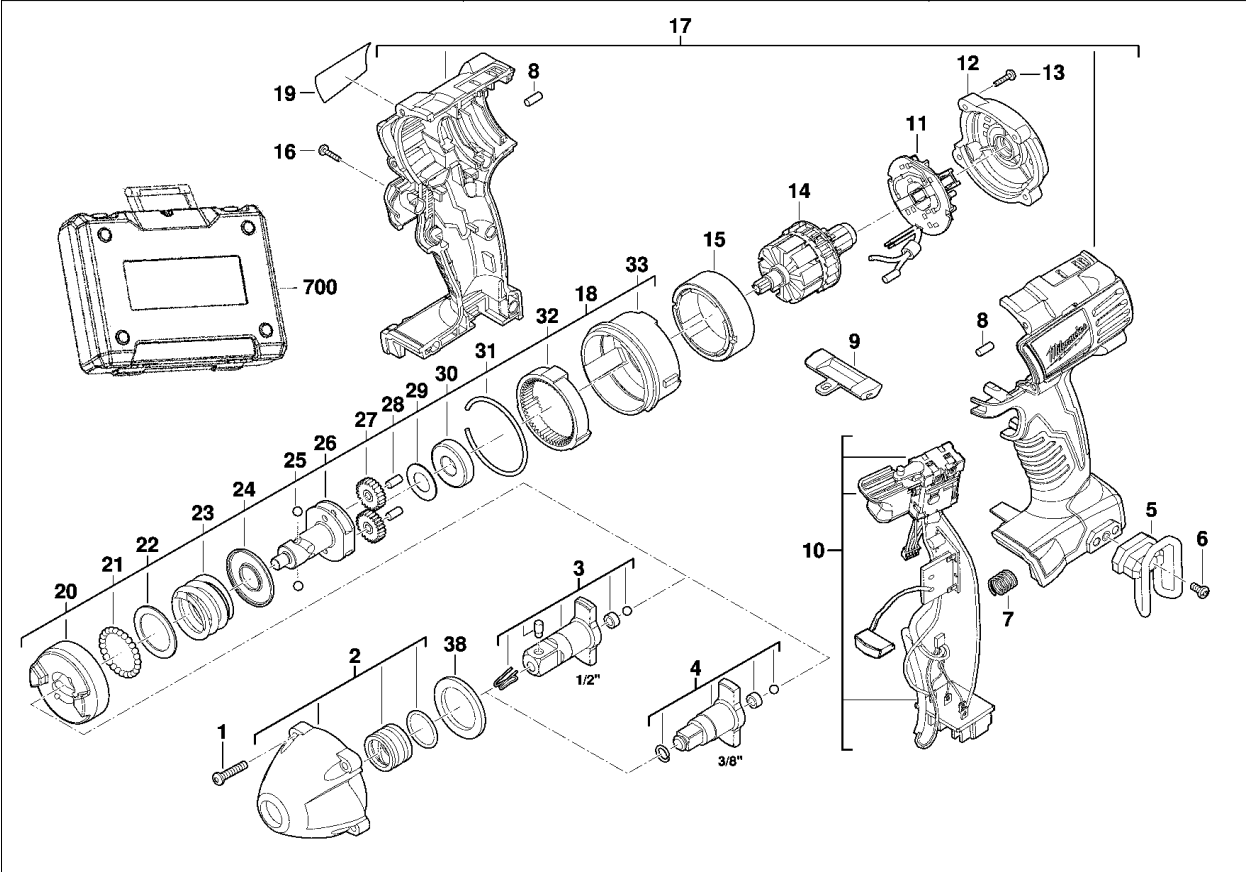


A & M Electric Tools

| | | | | | | | | | |
|-----|-------------|-------|---------|---------|-----|-------------|------|---------|---------|
| Ind | Product No. | Type | Voltage | Country | Ind | Product No. | Type | Voltage | Country |
| a | 4000431323 | C18IW | 18V | *** | | | | | |

Battery Tools

| | | | | | | | | | |
|----------------|---------|----------|------|--|--|--|--|--|--|
| Milwaukee | | | | | | | | | |
| C 18 IW | | | | | | | | | |
| Exp.view No. | Version | Date | Page | | | | | | |
| 4926 4316 24 | 0001 | 20.02.12 | 1/1 | | | | | | |



| Pos | Index | Quanti | Article No. | Designation | Pos | Index | Quanti | Article No. | Designation |
|------|--------|--------|-------------|------------------|------|--------|--------|-------------|-------------------|
| 0001 | a..... | 4 | 201094001 | SCREW | 0023 | a..... | 1 | 201082001 | SPRING |
| 0002 | a..... | 1 | 201093001 | GEAR HEAD | 0024 | a..... | 1 | 201081001 | WASHER |
| 0003 | a..... | 1 | 201306001 | ANVIL | 0025 | a..... | 2 | 201080001 | BALL |
| 0004 | a..... | 1 | 201307001 | ANVIL | 0026 | a..... | 1 | 201079001 | CAM SHAFT |
| 0005 | a..... | 1 | 201066001 | HOOK | 0027 | a..... | 2 | 201078001 | GEAR |
| 0006 | a..... | 1 | 201097001 | SCREW | 0028 | a..... | 2 | 201077001 | PIN |
| 0007 | a..... | 1 | 201067001 | SPRING | 0029 | a..... | 1 | 201076001 | WASHER |
| 0008 | a..... | 8 | 201065001 | DAMPING ELEMENT | 0030 | a..... | 1 | 201075001 | BALL BEARING |
| 0009 | a..... | 1 | 201063001 | GUIDE | 0031 | a..... | 1 | 201074001 | REDUCTION ADAPTER |
| 0010 | a..... | 1 | 4931433508 | SWITCH KIT | 0032 | a..... | 1 | 201073001 | RING |
| 0011 | a..... | 1 | 4931433300 | CARBON BRUSH | 0033 | a..... | 1 | 201072001 | GEAR BOX HOUSING |
| 0012 | a..... | 1 | 201062001 | COVER | 0038 | a..... | 1 | 201100003 | CARRYING CASE |
| 0013 | a..... | 1 | 201096001 | SCREW | 0700 | a..... | 1 | 201100001 | CARRYING CASE |
| 0014 | a..... | 1 | 201303002 | MOTOR | | | | | |
| 0015 | a..... | 1 | 201070001 | ELECTRIC FIELD | | | | | |
| 0016 | a..... | 7 | 201095001 | SCREW | | | | | |
| 0017 | a..... | 1 | 201061002 | HOUSING | | | | | |
| 0018 | a..... | 1 | 201071001 | GEAR BOX HOUSING | | | | | |
| 0019 | a..... | 1 | 4931433511 | RATING PLATE | | | | | |
| 0020 | a..... | 1 | 201085001 | HAMMER | | | | | |
| 0021 | a..... | 30 | 201084001 | BALL | | | | | |
| 0022 | a..... | 1 | 201083001 | WASHER | | | | | |

Repairs/modification and and testing of electric power tools are to be carried out by specialists. The safety regulations according to DIN/VDE/CEE/AFNOR and other regulations valid in the different countries are to be observed.

| Position | Quantity | Description | Part number | EAN |
|----------|----------|----------------------------------|-------------------------------|---------------|
| 0001 1 | 4 | SCHRAUBE | 201094001 | 4002395802616 |
| 0002 2 | 1 | GETRIEBEKOPF | 201093001 | 4002395802609 |
| 0003 3 | 1 | AMBOSS | 201306001 | 4002395805167 |
| 0004 4 | 1 | AMBOSS | 4931441899 | 4002395868018 |
| 0005 5 | 1 | HAKEN | Item discontinued(201066001) | |
| 0006 6 | 1 | SCHRAUBE | Item discontinued(201097001) | |
| 0007 7 | 1 | FEDER | 201067001 | 4002395802340 |
| 0008 8 | 8 | DAEMPfungSELEMENT | 201065001 | 4002395802326 |
| 0009 9 | 1 | FUEHRUNG | 201063001 | 4002395802319 |
| 0010 10 | 1 | SCHALTER-SET | Item discontinued(4931433508) | |
| 0011 11 | 1 | KOHLEBUERSTEN-SET | 4931448223 | 4002395809400 |
| 0012 12 | 1 | ABDECKUNG | 201062001 | 4002395802302 |
| 0013 13 | 1 | SCHRAUBE | Item discontinued(201096001) | |
| 0014 14 | 1 | MOTOR | 201303002 | 4002395846849 |
| 0015 15 | 1 | FELD F. ELEKTROMOTOR | 201070001 | 4002395802371 |
| 0016 16 | 7 | SCHRAUBE | Item discontinued(201095001) | |
| 0017 17 | 1 | GEHAEUSE | 201061002 | 4002395846818 |
| 0018 18 | 1 | GETRIEBEGEHAEUSE | Item discontinued(201071001) | |
| 0019 19 | 1 | LEISTUNGSSCHILD | 4931433511 | 4002395898091 |
| 0020 20 | 1 | HAMMER | Item discontinued(201085001) | |
| 0021 21 | 30 | KUGEL | Item discontinued(201084001) | |
| 0022 22 | 1 | SCHEIBE | 201083001 | 4002395802500 |
| 0023 23 | 1 | FEDER | 201082001 | 4002395802494 |
| 0024 24 | 1 | SCHEIBE | 201081001 | 4002395802487 |
| 0025 25 | 2 | KUGEL | 201080001 | 4002395802470 |
| 0026 26 | 1 | NOCKENWELLE | Item discontinued(201079001) | |
| 0027 27 | 2 | ZAHNRAD-SET (P2) | 201078001 | 4002395802456 |
| 0028 28 | 2 | STIFT | 201077001 | 4002395802449 |
| 0029 29 | 1 | SCHEIBE | Item discontinued(201076001) | |
| 0030 30 | 1 | KUGELLAGER | 201075001 | 4002395802425 |
| 0031 31 | 1 | REDUZIERSTUECK | 201074001 | 4002395802418 |
| 0032 32 | 1 | RING | Item discontinued(201073001) | |
| 0033 33 | 1 | GETRIEBEGEHAEUSE | 201072001 | 4002395802395 |
| 0038 34 | 1 | SCHEIBE | 201092001 | 4002395802593 |
| 0700 35 | 1 | TRANSPORTKOFFER | Item discontinued(201100001) | |
| 36 | 1 | M12-18C LADEGERAeT (NO SALE) IN2 | 4931433047 | 4002395890743 |
| 37 | 2 | M18B4 AKKU 4.0AH (BULK) XXX | 4931440022 | 4002395886906 |