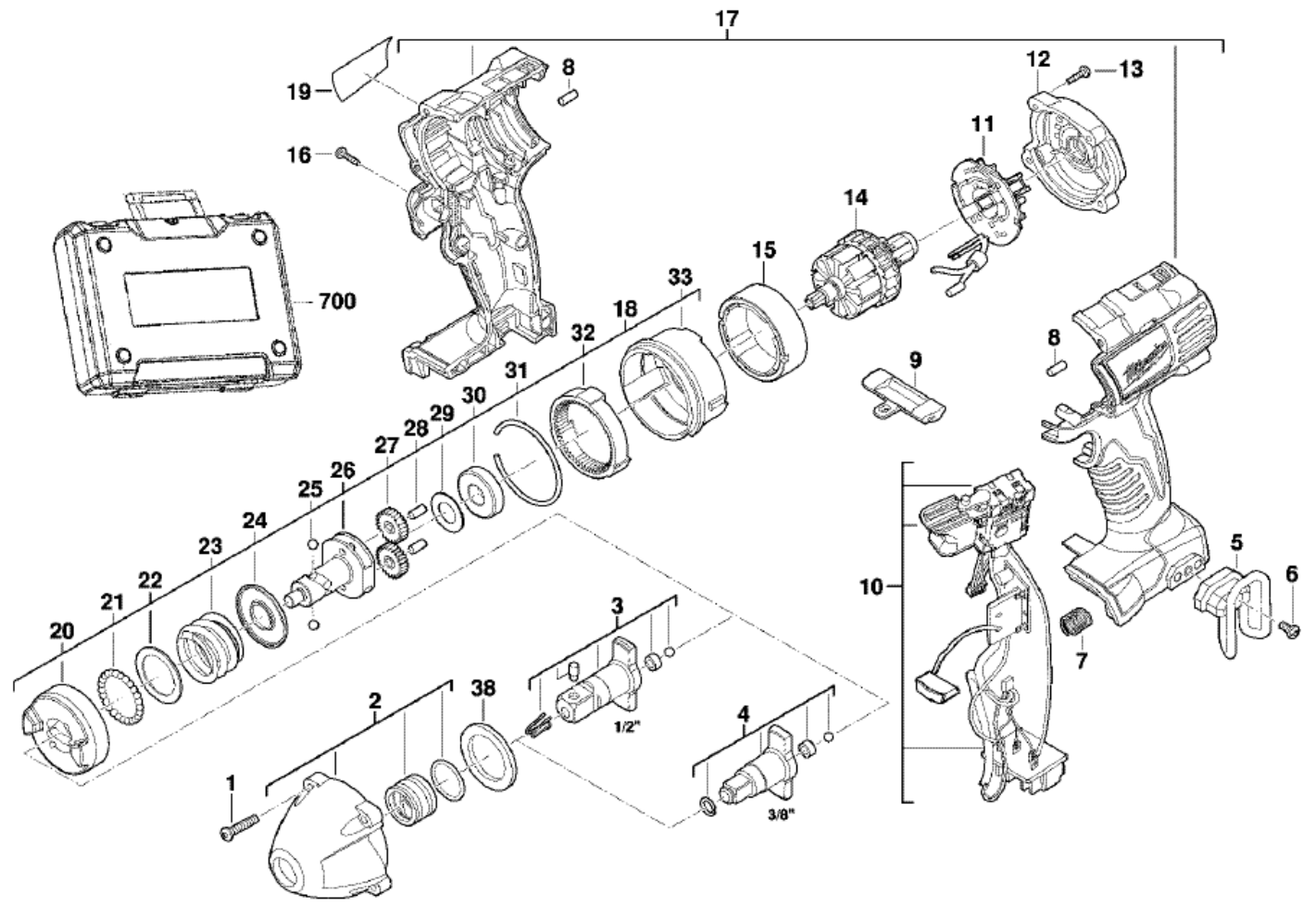


[TRAD][en] BATT. SCREWDRIVER

4933410090 - C18IW-32C - 4000431323



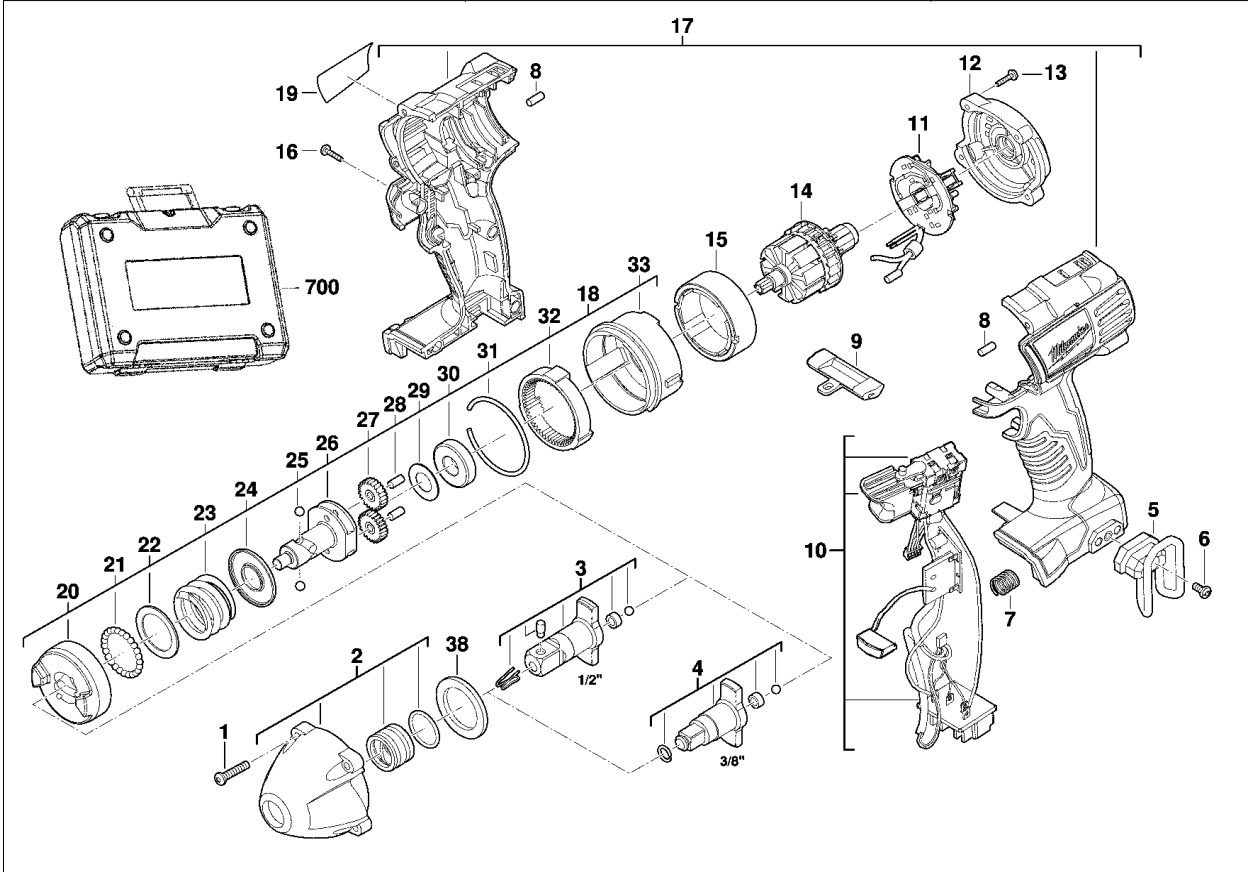


A & M Electric Tools

Ind	Product No.	Type	Voltage	Country	Ind	Product No.	Type	Voltage	Country
a	4000431323	C18IW	18V	***					

Battery Tools

Milwaukee			
C 18 IW			
Exp.view No.	Version	Date	Page
4926 4316 24	0001	20.02.12	1/1



Pos	Index	Quanti	Article No.	Designation	Pos	Index	Quanti	Article No.	Designation
0001	a.....	4	201094001	SCREW	0023	a.....	1	201082001	SPRING
0002	a.....	1	201093001	GEAR HEAD	0024	a.....	1	201081001	WASHER
0003	a.....	1	201306001	ANVIL	0025	a.....	2	201080001	BALL
0004	a.....	1	201307001	ANVIL	0026	a.....	1	201079001	CAM SHAFT
0005	a.....	1	201066001	HOOK	0027	a.....	2	201078001	GEAR
0006	a.....	1	201097001	SCREW	0028	a.....	2	201077001	PIN
0007	a.....	1	201067001	SPRING	0029	a.....	1	201076001	WASHER
0008	a.....	8	201065001	DAMPING ELEMENT	0030	a.....	1	201075001	BALL BEARING
0009	a.....	1	201063001	GUIDE	0031	a.....	1	201074001	REDUCTION ADAPTER
0010	a.....	1	4931433508	SWITCH KIT	0032	a.....	1	201073001	RING
0011	a.....	1	4931433300	CARBON BRUSH	0033	a.....	1	201072001	GEAR BOX HOUSING
0012	a.....	1	201062001	COVER	0038	a.....	1	201100003	CARRYING CASE
0013	a.....	1	201096001	SCREW	0700	a.....	1	201100001	CARRYING CASE
0014	a.....	1	201303002	MOTOR					
0015	a.....	1	201070001	ELECTRIC FIELD					
0016	a.....	7	201095001	SCREW					
0017	a.....	1	201061002	HOUSING					
0018	a.....	1	201071001	GEAR BOX HOUSING					
0019	a.....	1	4931433511	RATING PLATE					
0020	a.....	1	201085001	HAMMER					
0021	a.....	30	201084001	BALL					
0022	a.....	1	201083001	WASHER					

Repairs/modification and and testing of electric power tools are to be carried out by specialists. The safety regulations according to DIN/VDE/CEE/AFNOR and other regulations valid in the different countries are to be observed.

Position	Quantity	Description	Part number	EAN
0001 1	4	SCHRAUBE	201094001	4002395802616
0002 2	1	GETRIEBEKOPF	201093001	4002395802609
0003 3	1	AMBOSS	201306001	4002395805167
0004 4	1	AMBOSS	4931441899	4002395868018
0005 5	1	HAKEN	Item discontinued(201066001)	
0006 6	1	SCHRAUBE	Item discontinued(201097001)	
0007 7	1	FEDER	201067001	4002395802340
0008 8	8	DAEMPUNGSELEMENT	201065001	4002395802326
0009 9	1	FUEHRUNG	201063001	4002395802319
0010 10	1	SCHALTER-SET	Item discontinued(4931433508)	
0011 11	1	KOHLEBUERSTEN-SET	4931448223	4002395809400
0012 12	1	ABDECKUNG	201062001	4002395802302
0013 13	1	SCHRAUBE	Item discontinued(201096001)	
0014 14	1	MOTOR	201303002	4002395846849
0015 15	1	FELD F. ELEKTROMOTOR	201070001	4002395802371
0016 16	7	SCHRAUBE	Item discontinued(201095001)	
0017 17	1	GEHAEUSE	201061002	4002395846818
0018 18	1	GETRIEBEGEHAEUSE	Item discontinued(201071001)	
0019 19	1	LEISTUNGSSCHILD	4931433511	4002395898091
0020 20	1	HAMMER	Item discontinued(201085001)	
0021 21	30	KUGEL	Item discontinued(201084001)	
0022 22	1	SCHEIBE	201083001	4002395802500
0023 23	1	FEDER	201082001	4002395802494
0024 24	1	SCHEIBE	201081001	4002395802487
0025 25	2	KUGEL	201080001	4002395802470
0026 26	1	NOCKENWELLE	Item discontinued(201079001)	
0027 27	2	ZAHNRAD-SET (P2)	201078001	4002395802456
0028 28	2	STIFT	201077001	4002395802449
0029 29	1	SCHEIBE	Item discontinued(201076001)	
0030 30	1	KUGELLAGER	201075001	4002395802425
0031 31	1	REDUZIERSTUECK	201074001	4002395802418
0032 32	1	RING	Item discontinued(201073001)	
0033 33	1	GETRIEBEGEHAEUSE	201072001	4002395802395
0038 34	1	SCHEIBE	201092001	4002395802593
0700 35	1	TRANSPORTKOFFER	Item discontinued(201100001)	
0001 36	2	M18BX LI-ION AKKUMULATOR 3.0AH RED XXX	4932430063	4002395377244